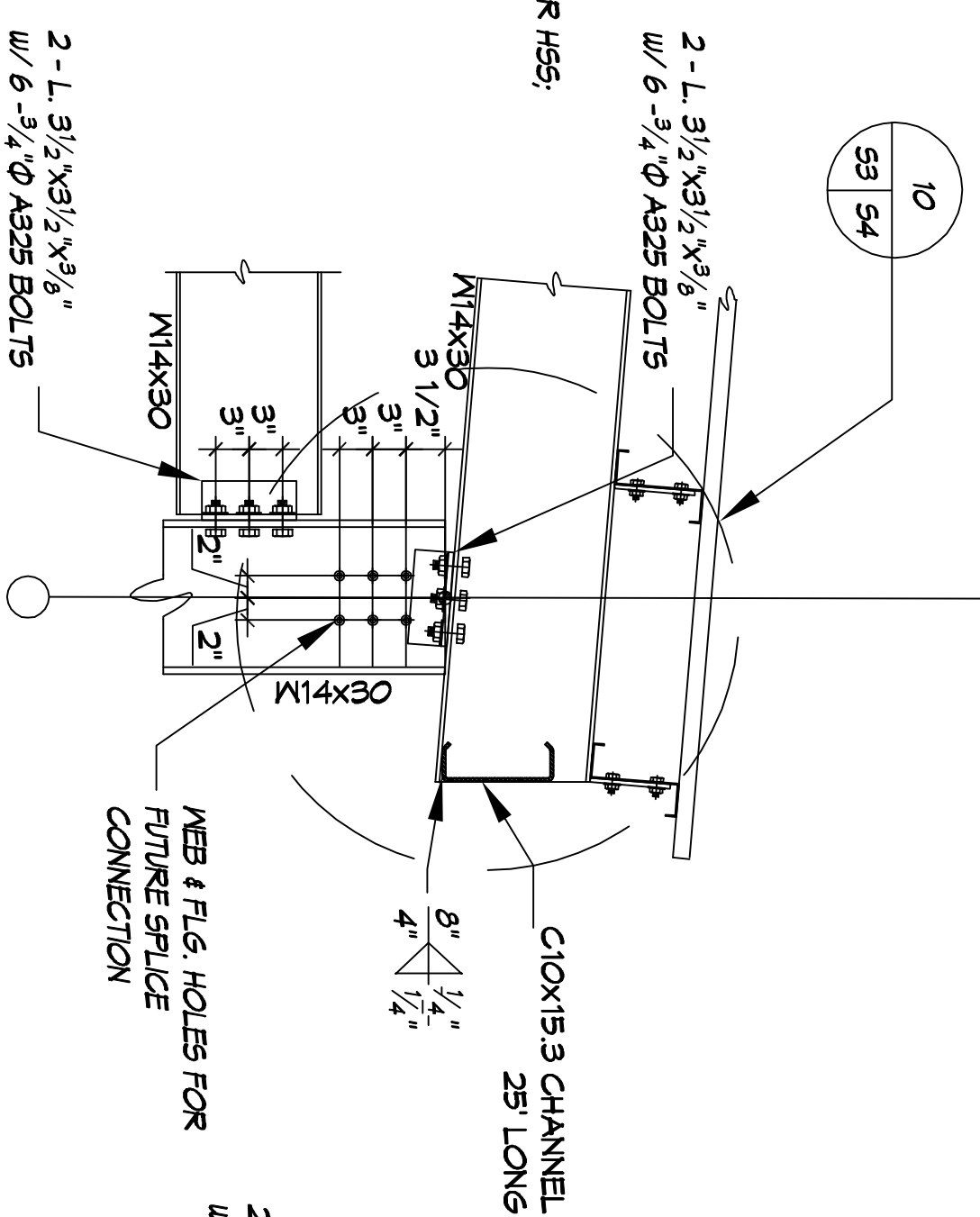
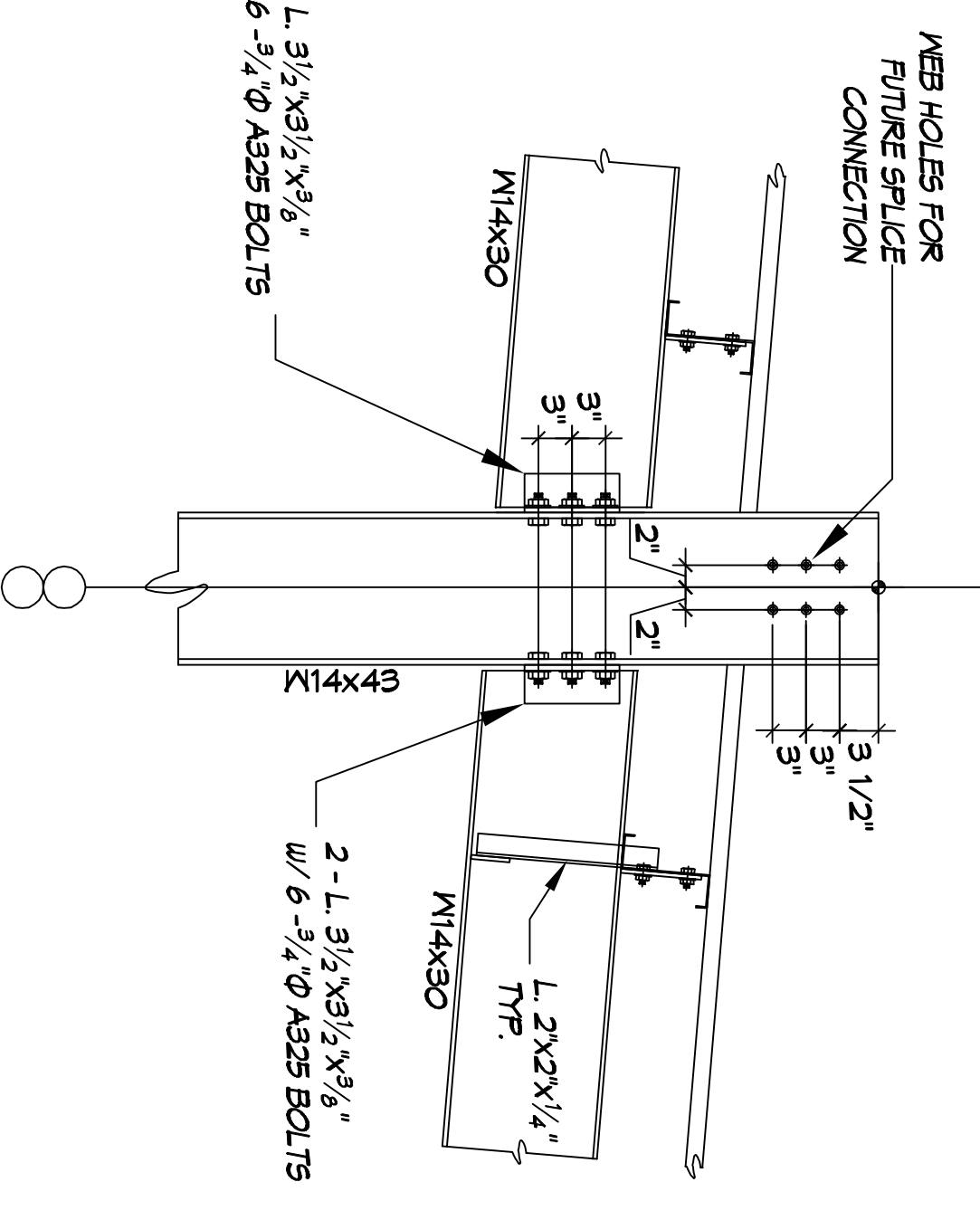


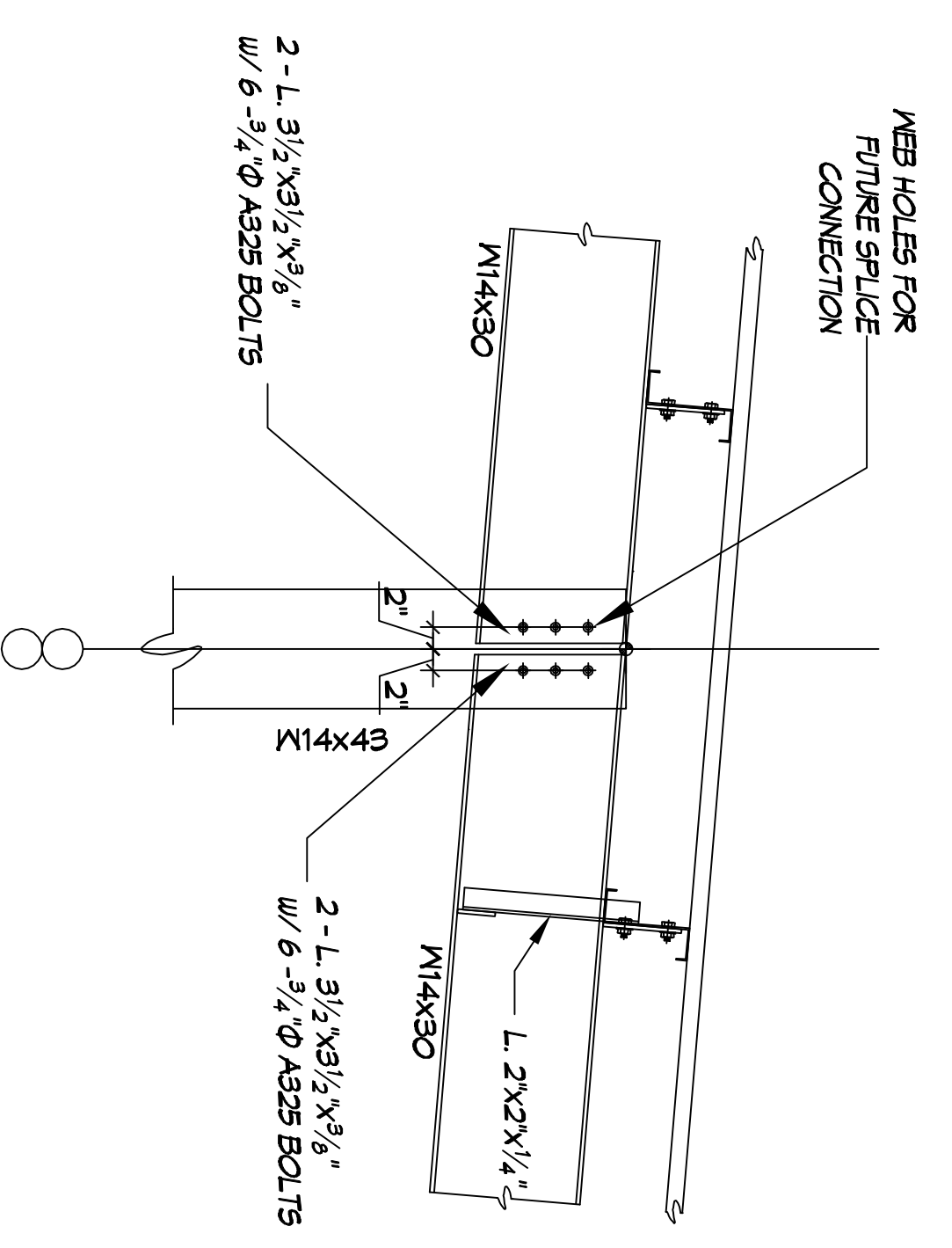
1
54 | 53
DETAIL
N.T.S.



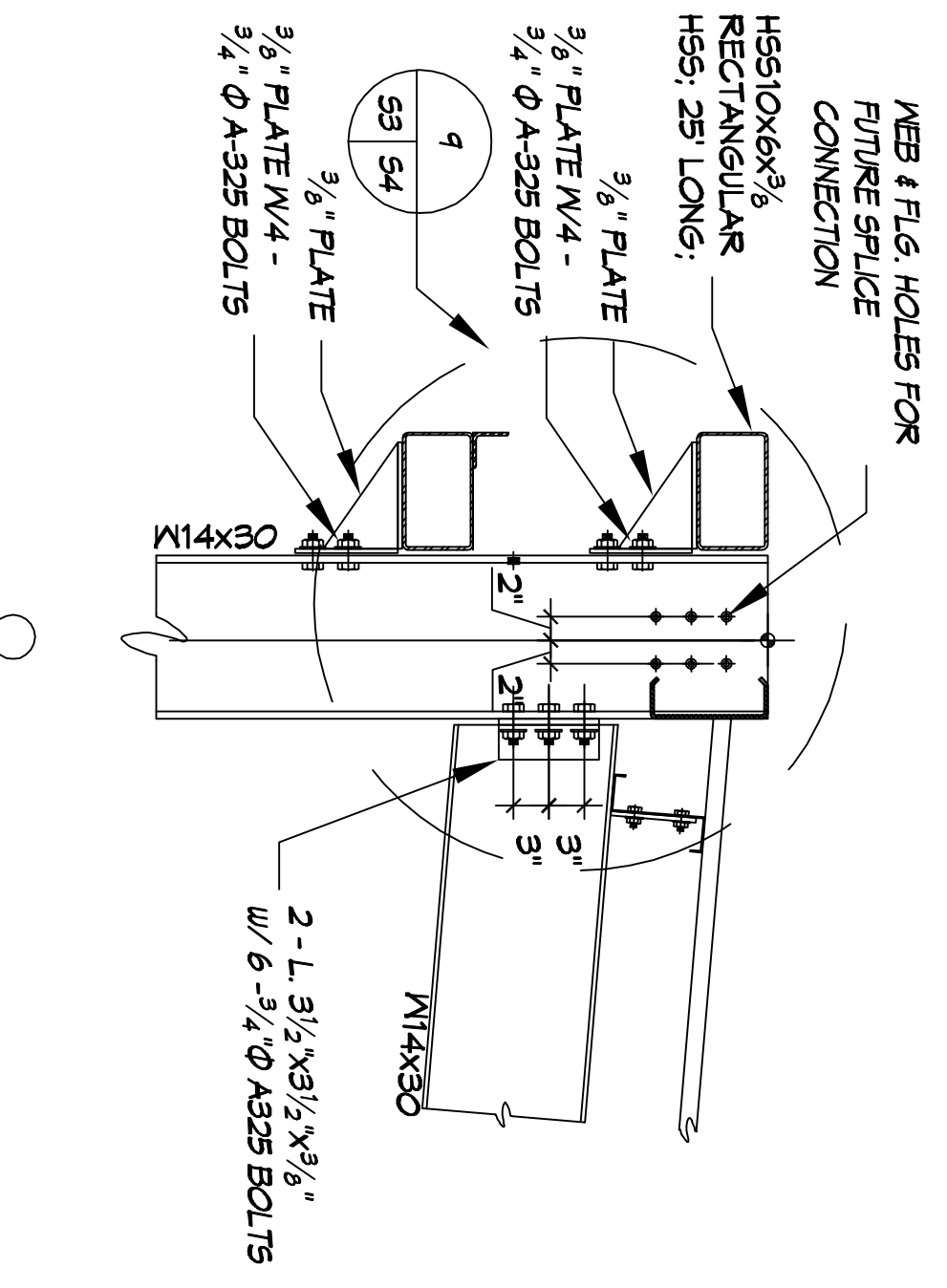
2
54 | 53
DETAIL
N.T.S.



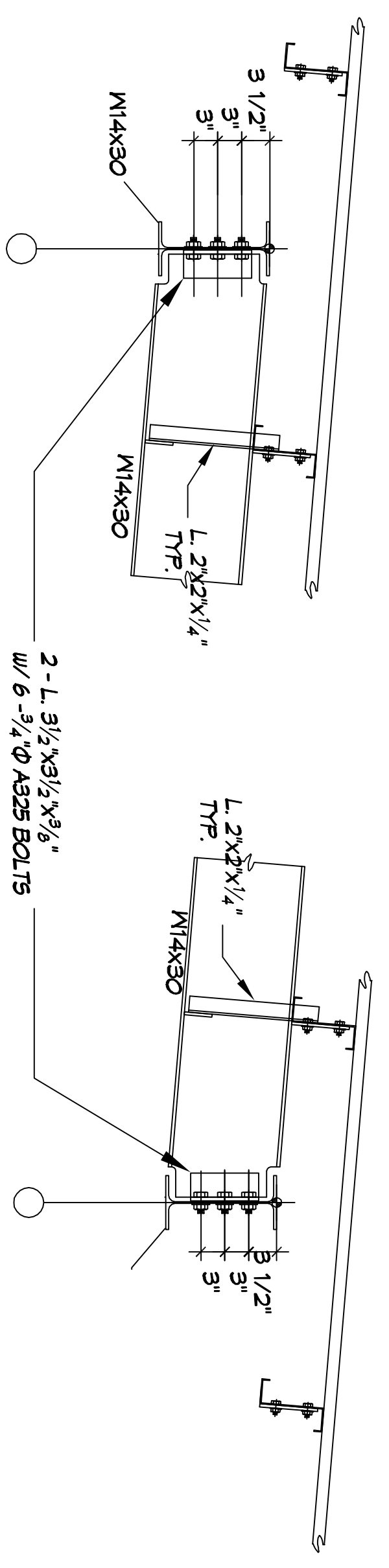
3
54 | 53
DETAIL
N.T.S.



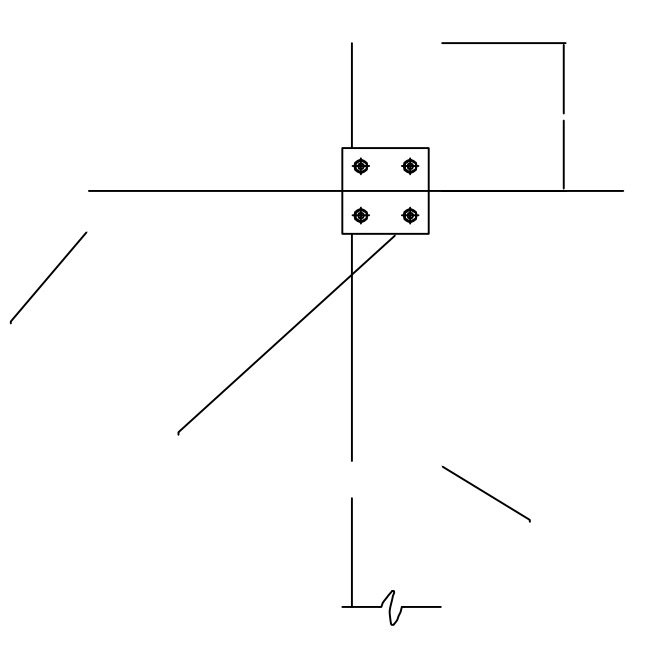
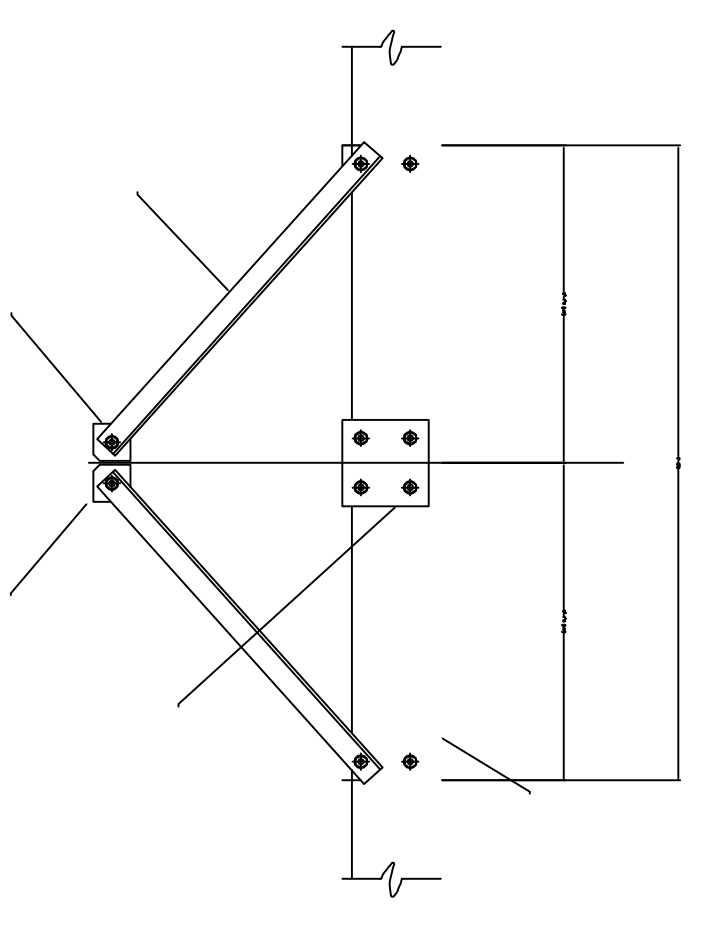
4
54 | 53
DETAIL
N.T.S.



5
54 | 53
DETAIL
N.T.S.



6
54 | 53
DETAIL
N.T.S.



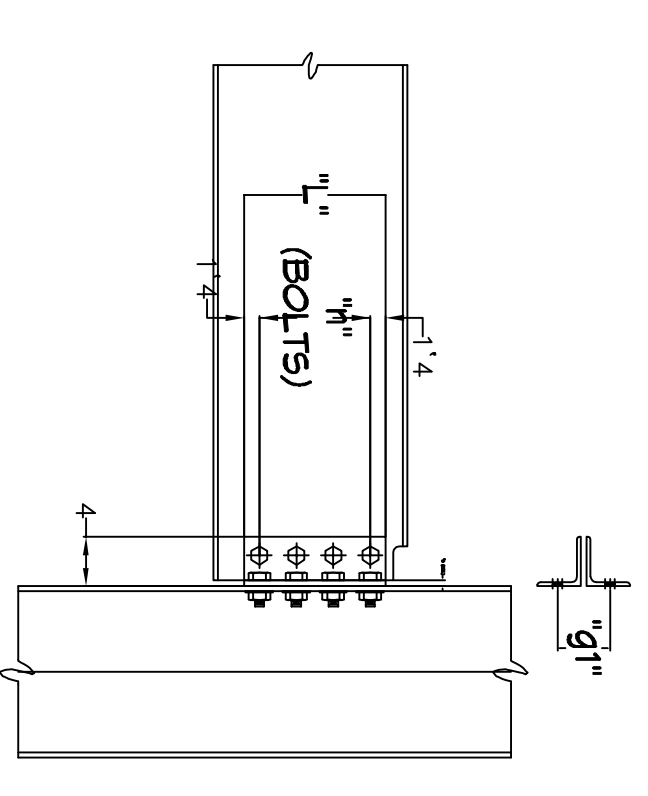
M14x30 COL.

BEAM SIZE	ANGLE SIZE (in.)	"n" (BOLTS)	"g1" (in.)
M14	L. 4x3/2x3/8	3	4
M16	L. 4x3/2x3/8	11/2	4

M14x43 COL.

BEAM SIZE	ANGLE SIZE (in.)	"n" (BOLTS)	"g1" (in.)
M14	L. 4x4x3/8	3	3
M16	L. 4x4x3/8	11/2	4

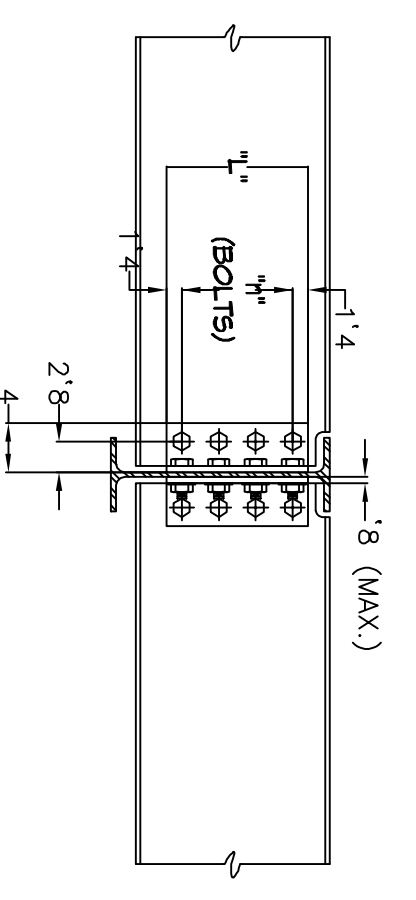
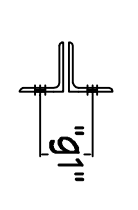
BOLTS TO BE 3/4" Ø A325 (UNO)
"n" = # OF ROWS OF BOLTS @ 3" C/C



STANDARD BOLTED BEAM TO COL. FLG. CONNECTION DETAILS

BEAM SIZE	ANGLE SIZE (in.)	"n" (BOLTS)	"g1" (in.)
M8 & M10	L. 4x3/2x3/8	5/2	2
M12 & M14	L. 4x3/2x3/8	3	3
M16	L. 4x3/2x3/8	11/2	4
M18	L. 4x3/2x3/8	14/2	5
M21	L. 4x3/2x3/8	17/2	6
M24	L. 4x3/2x3/8	20/2	7

BOLTS TO BE WØ A325 (UNO)
"n" = # OF ROWS OF BOLTS @ 3" C/C



STANDARD BOLTED BEAM TO BEAM CONNECTION DETAILS
STANDARD BOLTED BEAM TO COL. WEB CONNECTION DETAILS