

The new HTU face mount truss hangers have nail patterns designed specifically for shallow heel heights, so that full allowable loads (with minimum nailing) apply to heel heights as low as 3/8". Minimum and maximum nailing options provide solutions for varying heel heights and end conditions.

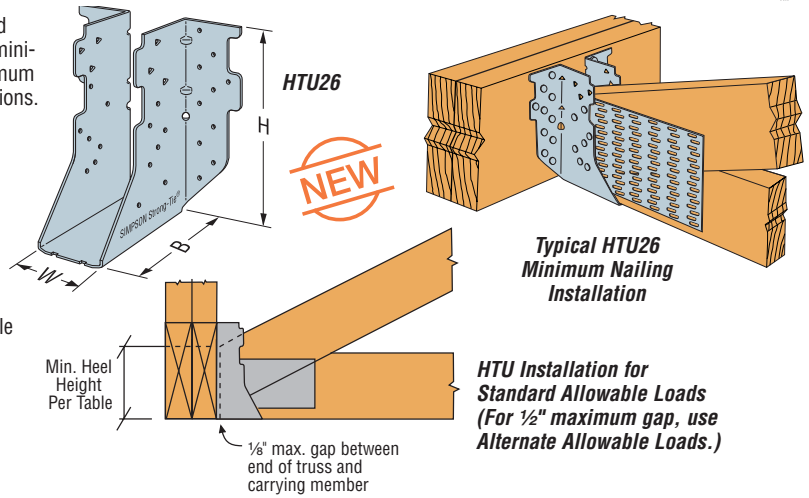
Alternate allowable loads are provided for gaps between the end of the truss and the carrying member greater than 1/8" (maximum gap for standard allowable loads is 1/8" per ASTM D-1761).

MATERIAL: 16 gauge **FINISH:** Galvanized

INSTALLATION: • Use all specified fasteners. See General Notes.

- Can be installed filling round holes only, or filling round and triangle holes for maximum values.
- For single 2x carrying members, use N10 (10dx1 1/2") nails into the header and reduce the allowable download to 0.70 of the table value. The allowable uplift is 100% of the table load.
- See alternate installation for applications using the HTU28 or HTU210 on a 2x6 carrying member for additional uplift capacity.

CODES: See page 10 for Code Listing Key Chart.



Standard Allowable Loads (1/8" Maximum Hanger Gap)

Model No.	Min. Heel Height	Dimensions			Fasteners		Down Avg Ult	Doug Fir-Larch/Southern Pine Allowable Loads					Spruce-Pine-Fir/Hem Fir Allowable Loads					Code Ref.
		W	H	B	Carrying Member	Carried Member		Uplift (133/160)	Floor (100)	Snow (115)	Roof (125)	Wind (133)	Uplift (133/160)	Floor (100)	Snow (115)	Roof (125)	Wind (133)	
SINGLE 2x SIZES																		
HTU26 (Min)	3/8"	1 1/2"	5 1/16"	3 1/2"	20-16d	14-10dx1 1/2"	10555	1250	2880	3200	3200	3200	1075	2015	2015	2015	2015	160
HTU26 (Max)	5 1/2"	1 1/2"	5 1/16"	3 1/2"	20-16d	20-10dx1 1/2"	12388	1555	2880	3310	3600	3840	1335	2480	2850	3120	3320	
HTU28 (Min)	3/8"	1 1/2"	7 1/16"	3 1/2"	26-16d	14-10dx1 1/2"	12537	1235	3745	3895	3895	3895	1060	2920	2920	2920	2920	
HTU28 (Max)	7 1/4"	1 1/2"	7 1/16"	3 1/2"	26-16d	26-10dx1 1/2"	16883	2140	3745	4305	4680	4990	1840	3225	3710	4055	4315	
HTU210 (Min)	3/8"	1 1/2"	9 1/16"	3 1/2"	32-16d	14-10dx1 1/2"	13825	1330	4355	4355	4355	4355	1145	3265	3265	3265	3265	
HTU210 (Max)	9 1/4"	1 1/2"	9 1/16"	3 1/2"	32-16d	32-10dx1 1/2"	18822	3315	4610	5300	5760	5995	2850	3970	4565	4990	5155	
DOUBLE 2x SIZES																		
HTU26-2 (Min)	3/8"	3 3/16"	5 1/16"	3 1/2"	20-16d	14-10d	12182	1515	2880	3310	3600	3840	1305	2465	2465	2465	2465	160
HTU26-2 (Max)	5 1/2"	3 3/16"	5 1/16"	3 1/2"	20-16d	20-10d	14092	2175	2880	3310	3600	3840	1870	2480	2825	3120	3310	
HTU28-2 (Min)	3/8"	3 3/16"	7 1/16"	3 1/2"	26-16d	14-10d	14164	1530	3745	4305	4305	4305	1315	3225	3235	3235	3235	
HTU28-2 (Max)	7 1/4"	3 3/16"	7 1/16"	3 1/2"	26-16d	26-10d	18807	3485	3745	4305	4680	4990	2995	3225	3710	4055	4315	
HTU210-2 (Min)	3/8"	3 3/16"	9 1/16"	3 1/2"	32-16d	14-10d	15032	1540	4610	4815	4815	4815	1325	3610	3610	3610	3610	
HTU210-2 (Max)	9 1/4"	3 3/16"	9 1/16"	3 1/2"	32-16d	32-10d	23293	4110	4610	5300	5760	6145	3535	3970	4565	4990	5310	

Alternate Allowable Loads (1/2" Maximum Hanger Gap)

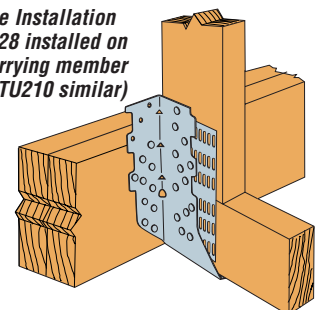
Model No.	Min. Heel Height	Dimensions			Fasteners		Down Avg Ult	Doug Fir-Larch/Southern Pine Allowable Loads					Spruce-Pine-Fir/Hem Fir Allowable Loads					Code Ref.
		W	H	B	Carrying Member	Carried Member		Uplift (133/160)	Floor (100)	Snow (115)	Roof (125)	Wind (133)	Uplift (133/160)	Floor (100)	Snow (115)	Roof (125)	Wind (133)	
SINGLE 2x SIZES																		
HTU26 (Min)	3/8"	1 1/2"	5 1/16"	3 1/2"	20-16d	14-10dx1 1/2"	9353	1175	2880	3100	3100	3100	1010	1955	1955	1955	1955	160
HTU26 (Max)	5 1/2"	1 1/2"	5 1/16"	3 1/2"	20-16d	20-10dx1 1/2"	12278	1215	2880	3290	3580	3760	1045	2370	2370	2370	2370	
HTU28 (Min)	3/8"	1 1/2"	7 1/16"	3 1/2"	26-16d	14-10dx1 1/2"	11508	1125	3720	3770	3770	3770	965	2830	2830	2830	2830	
HTU28 (Max)	7 1/4"	1 1/2"	7 1/16"	3 1/2"	26-16d	26-10dx1 1/2"	15520	2140	3720	4275	4655	4965	1840	3225	3710	3760	3760	
HTU210 (Min)	3/8"	1 1/2"	9 1/16"	3 1/2"	32-16d	14-10dx1 1/2"	11032	1250	3600	3600	3600	3600	1075	2770	2770	2770	2770	
HTU210 (Max)	9 1/4"	1 1/2"	9 1/16"	3 1/2"	32-16d	32-10dx1 1/2"	15633	3255	4575	5020	5020	5020	2800	3765	3765	3765	3765	
DOUBLE 2x SIZES																		
HTU26-2 (Min)	3/8"	3 3/16"	5 1/16"	3 1/2"	20-16d	14-10d	11991	1515	2860	3290	3500	3500	1305	2205	2205	2205	2205	160
HTU26-2 (Max)	5 1/2"	3 3/16"	5 1/16"	3 1/2"	20-16d	20-10d	10890	1910	2860	3290	3500	3500	1645	2205	2205	2205	2205	
HTU28-2 (Min)	3/8"	3 3/16"	7 1/16"	3 1/2"	26-16d	14-10d	12366	1490	3720	3980	3980	3980	1280	2985	2985	2985	2985	
HTU28-2 (Max)	7 1/4"	3 3/16"	7 1/16"	3 1/2"	26-16d	26-10d	17265	3035	3720	4275	4655	4965	2610	3225	3710	4055	4165	
HTU210-2 (Min)	3/8"	3 3/16"	9 1/16"	3 1/2"	32-16d	14-10d	12988	1540	4255	4255	4255	4255	1275	3190	3190	3190	3190	
HTU210-2 (Max)	9 1/4"	3 3/16"	9 1/16"	3 1/2"	32-16d	32-10d	19912	3855	4575	5260	5730	6110	3315	3970	4565	4855	4855	

Alternate Installation Table 2x6 Carrying Member

Model No.	Min. Heel Height (in)	Fasteners		Doug Fir-Larch/Southern Pine Allowable Loads					Spruce-Pine-Fir/Hem Fir Allowable Loads					Code Ref.
		Carrying Member	Carried Member	Uplift (133/160)	Floor (100)	Snow (115)	Roof (125)	Wind (133)	Uplift (133/160)	Floor (100)	Snow (115)	Roof (125)	Wind (133)	
HTU28 (Max)	7 1/4"	20-16d	26-10dx1 1/2"	2205	2880	3310	3600	3840	1895	2480	2850	2925	2925	160
HTU210 (Max)	9 1/4"	20-16d	32-10dx1 1/2"	3155	2880	3310	3600	3840	2715	2480	2850	2925	2925	

1. See table footnotes above.
2. Maximum hanger gap for the alternate installation is 1/2".

Alternate Installation HTU28 installed on 2x6 carrying member (HTU210 similar)



1. The maximum hanger gap is measured between the joint (or truss) end and the carrying member.
2. Minimum heel heights required for full table loads are based on a minimum 2:12 pitch.
3. Allowable load calculations are based on the 2001 NDS.
4. Uplift has been increased 33% and 60% for earthquake or wind loading with no further increase allowed; reduce where other loads govern.
5. Wind (133) is a download rating.
6. For hanger gaps between 1/8" and 1/2" use the Alternate Allowable Loads.