

1 Electrical Plan  
Scale: 1/4" = 1'-0"

NOTES:  
1. HAVE UTILITY COMPANY REMOVE FEEDER(S) AND ROUTE CONDUIT TO NEW LOCATION.  
2. INSTALL NEW GROUND RODS & WIRING PER NEC AT NEW LOCATION.  
3. REMOVE EXISTING AND INSTALL NEW PANELBOARD AND METER PAN PER NEC.

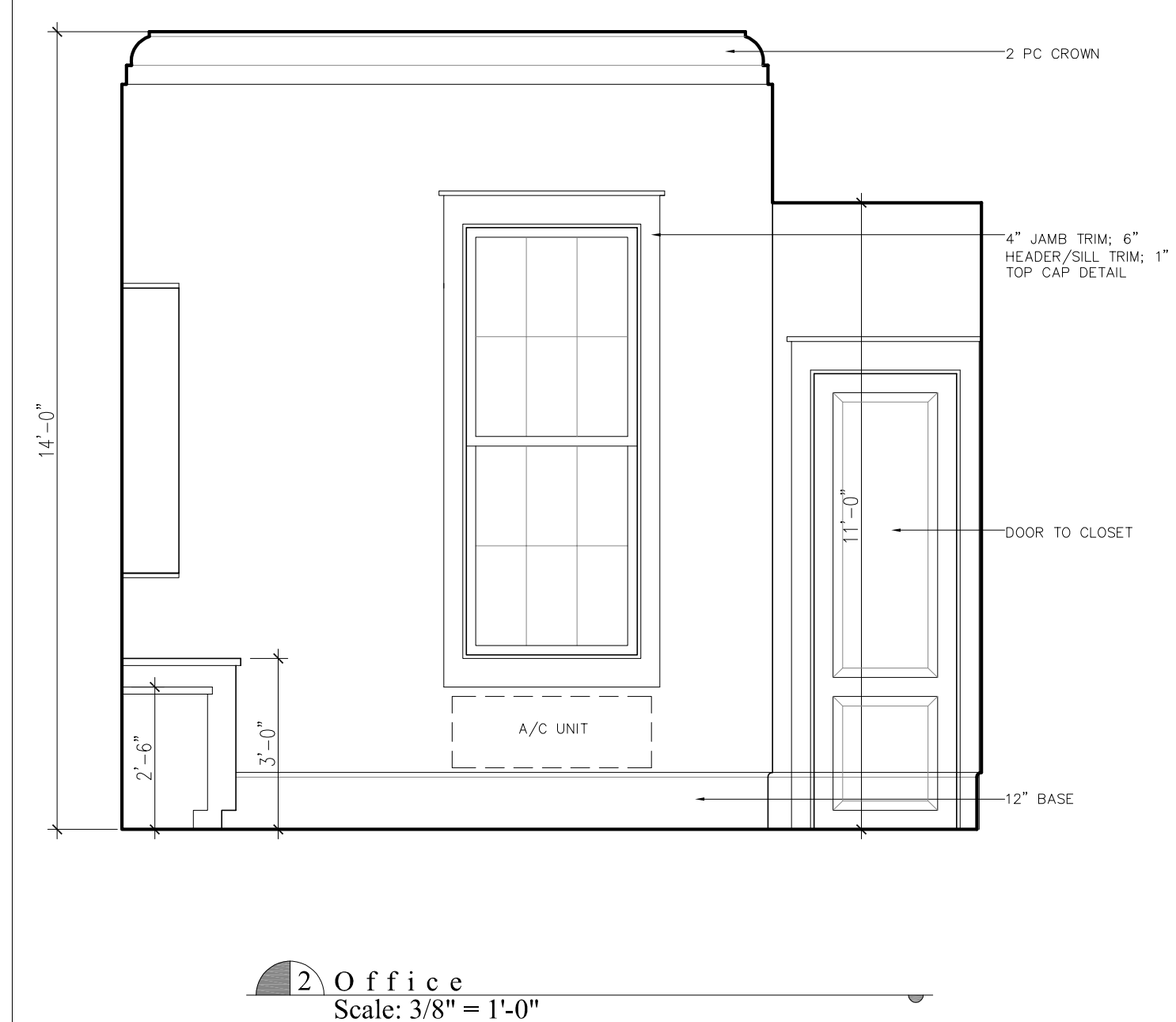
SYMBOL	DESCRIPTION	SYMBOL	DESCRIPTION
⊗	5" IC RATED, RECESSED CAN LIGHT; WHITE TRIM W/BLACK BAFFLE BY JUNO; SATCO S9148 LED LAMP	⊞⊞⊞⊞	FLUSH MOUNT FLUORESCENT CEILING LIGHT; MINKA LAVERY 1010-44-PL
⊕A	EXTERIOR WALL SCONCE : BEVOLO GOVERNOR LATERN; H=30"	⊗	5 BLADE, ANTIQUE WHITE, CEILING FAN W/O LIGHT FIXTURE; QUORUM MODEL 77525-67
⊕B	INTERIOR WALL SCONCE: TT SINGLE SCONCE, ITEM SL 2860PN	⊗	FLLOOD LIGHTS, RAB LIGHTING MODEL QB2A
⊞	HEAT, VENT, LIGHT		

SYMBOL	DESCRIPTION	SYMBOL	DESCRIPTION
⊞	SINGLE SWITCH, 42" A.F.F.	⊞	220 V OUTLET
⊞	SINGLE SWITCH, 42" A.F.F., AUTO. TURN ON W/ DOOR	⊞	GROUND FAULT INTERRUPTED OUTLET, WEATHER PROOF
⊞	3-WAY SWITCH, 42" A.F.F.	⊞	HOSE BIB
⊞	4-WAY SWITCH, 42" A.F.F.	⊞	CABLE OUTLET, 18" A.F.F.
⊞	DIMMER SWITCH, 42" A.F.F.	⊞	TELEPHONE, 18" A.F.F.
⊞	AUTOMATIC DOOR SWITCH	⊞	SMOKE DETECTOR
⊞	DUPLEX OUTLET, 18" A.F.F.	⊞	THERMOSTAT
⊞	DUPLEX OUTLET, DIST. A.F.F.		
⊞	GROUND FAULT INTERRUPTED OUTLET, DIST. A.F.F.		
⊞	GAS LOCATION		

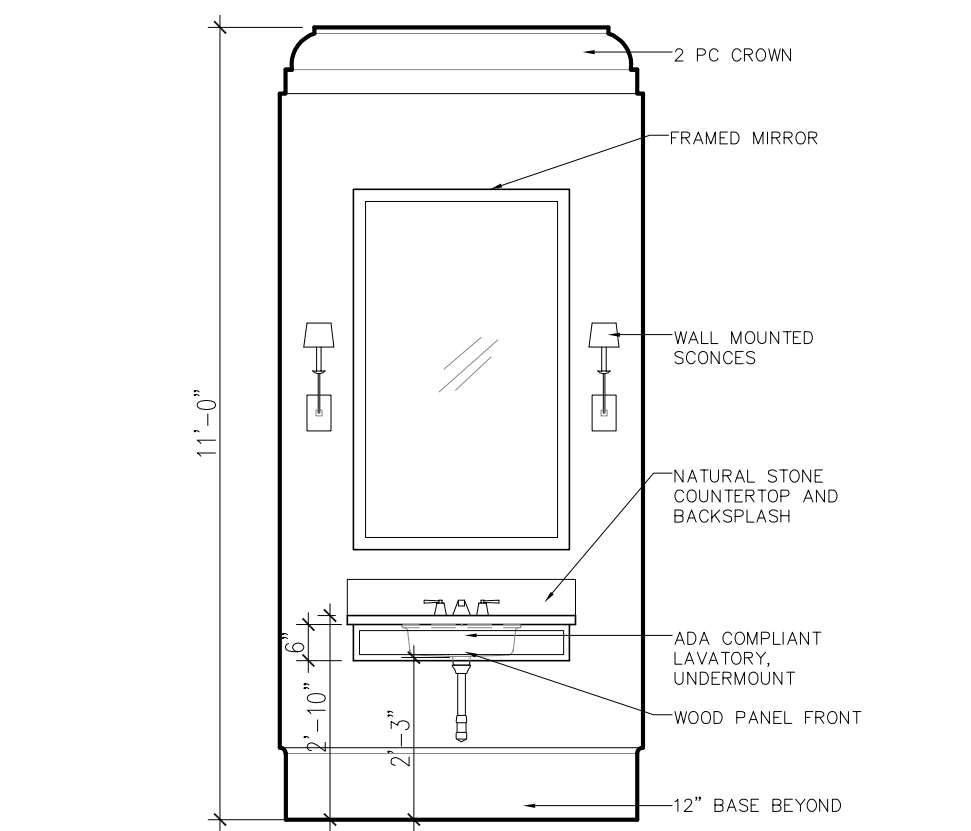
ELECTRICAL NOTES:  
1. ALL WORK SHALL CONFORM TO THE LATEST EDITION OF THE NATIONAL ELECTRICAL CODE, THE GOVERNING ELECTRICAL CODE AND ALL OTHER INSPECTION DEPARTMENTS HAVING JURISDICTION. OBTAIN CERTIFICATES OR APPROVAL WHERE REQUIRED.  
2. ALL MATERIALS FURNISHED SHALL BE NEW AND SHALL BE U.L. LISTED.  
3. PERFORM TEST REQUIRED BY THE OWNER OR THE ENGINEER IN CONNECTION WITH THE OPERATION OF THE ELECTRICAL SYSTEM IN THE BUILDING. ALL TESTS SHALL BE MADE IN ACCORDANCE WITH THE LATEST STANDARD OF THE IEEE AND THE NATIONAL ELECTRICAL CODE.  
4. MINIMUM CONDUCTOR SIZE SHALL BE #12, 600V INSULATION. MINIMUM SIZE CONDUIT SHALL BE 3/4" ELECTRICAL METALLIC TUBING (EMT) FOR INTERIOR USE, 3/4" SCHEDULE 80 FOR EXTERIOR USE ABOVE GRADE, AND 1" SCHEDULE 40 PVC BURIED A MINIMUM OF 18" FOR NON-VEHICULAR TRAFFIC AREAS FOR CONDUITS BELOW GRADE. EMT SHALL BE USED WITH METAL STUD CONSTRUCTION, USE NMC IN WOOD CONSTRUCTION. 6 FT LENGTH MC CABLE IS ALLOWED ABOVE DROPPED CEILING. INTERIOR FITTINGS SHALL BE CAST WHERE EXPOSED ON WALLS, AND EXTERIOR FITTINGS SHALL BE CAST BOXES WITH NEMA 3R COVER(S).  
5. ALL 120V RUNS LONGER THAN 60 FEET SHALL BE #10 AWG AND 277V RUNS LONGER THAN 150 FEET SHALL BE #10 AWG UNLESS NOTED OTHERWISE.  
6. INSTALL GROUND FAULT RECEPTACLES AT RECEPTACLE LOCATIONS WITHIN 5' OF SINKS OR LAVATORIES, AND AT EXTERIOR LOCATIONS. EXTERIOR RECEPTACLES SHALL ALSO BE WATERPROOF.  
7. BONDING AND GROUNDING SHALL BE IN ACCORDANCE WITH NFPA 70:230-63, NFPR 250-23, 250-71 & 250-72.  
8. GROUND NEUTRAL IN ACCORDANCE WITH NFPA 70:250-23b.

PANEL "LP"  
120/240 1P 3W 125A MCB N-3R SURFACE MOUNT 10KAIC

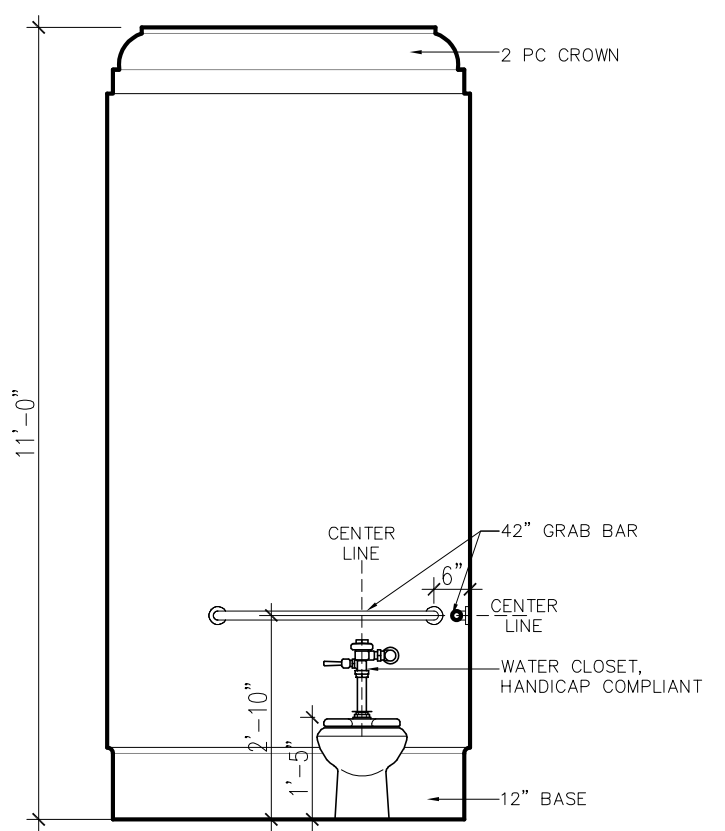
Circuit No.	Description	Conductor Size	Volt-Amps A	Volt-Amps C	Breaker Size	Breaker Size	Volt-Amps A	Volt-Amps C	Conductor Size	Description	Circuit No.
1	HVL IN BATHROOM	#12	1800		1P 20A	1P 20A	600		#12	CEILING FAN, OFFICE LIGHTING	2
3	EXTERIOR FLOODS & LIGHTS	#12		800	1P 20A	1P 20A		750	#12	BATHROOM SCONCE, CLOSET LIGHT	4
5	BATH GFL CLOSET RECEPTACLES	#12	720		1P 20A	1P 20A	900		#12	OFFICE RECEPTACLES	6
7	EXT. W/P GFLS	#12		900	1P 20A	1P 20A				SPARE	8
9	PTAC UNIT	#10	2880		2P 30A	1P 20A	120		#12	EMERGENCY AND EXIT LIGHTS	10
11				2800		1P 20A				SPACE	12
	PHASE		5400	4500		PHASE	1620	750			
	PH TOTAL		7020	5250		TOTAL VA	12270				



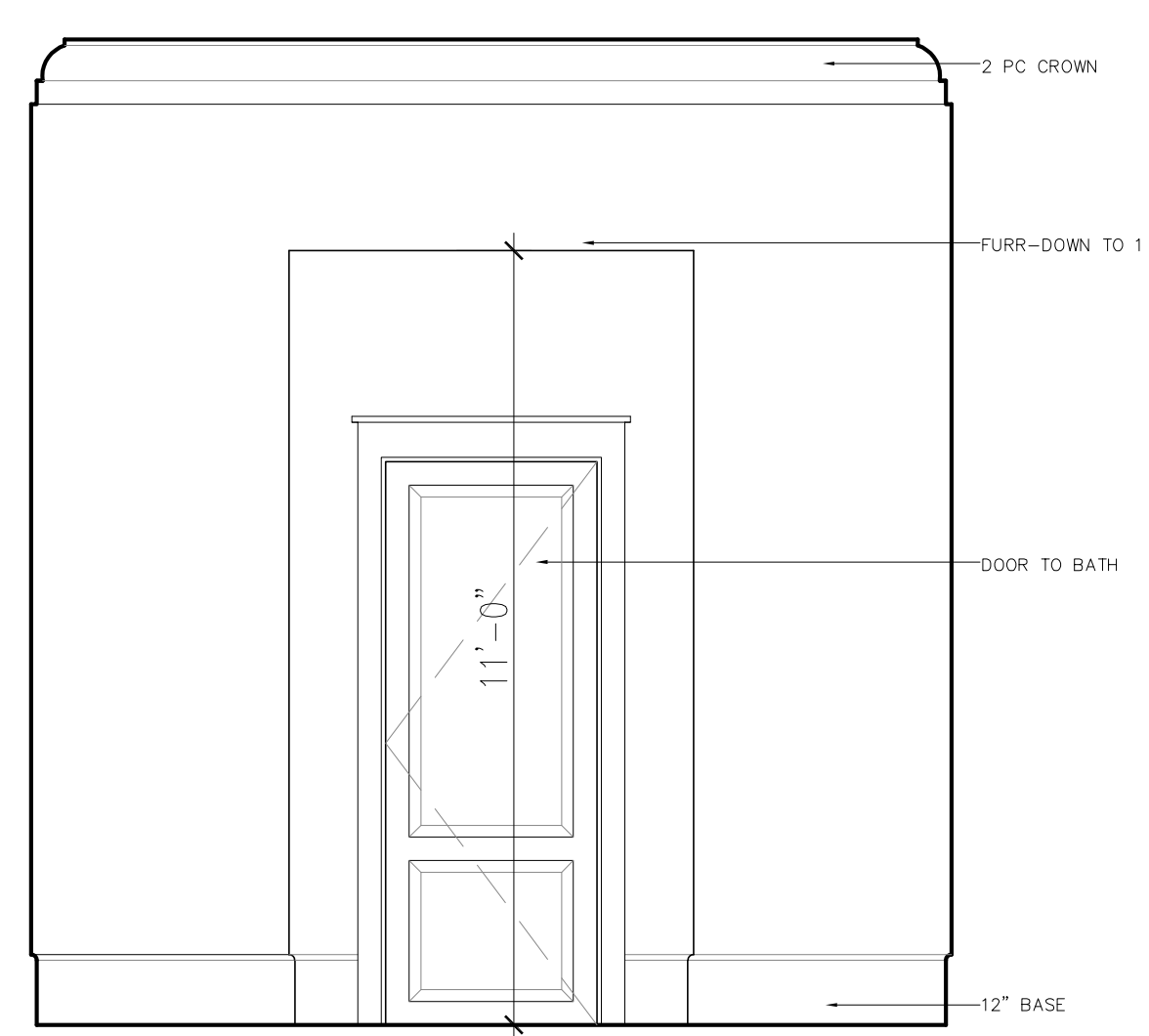
2 Office  
Scale: 3/8" = 1'-0"



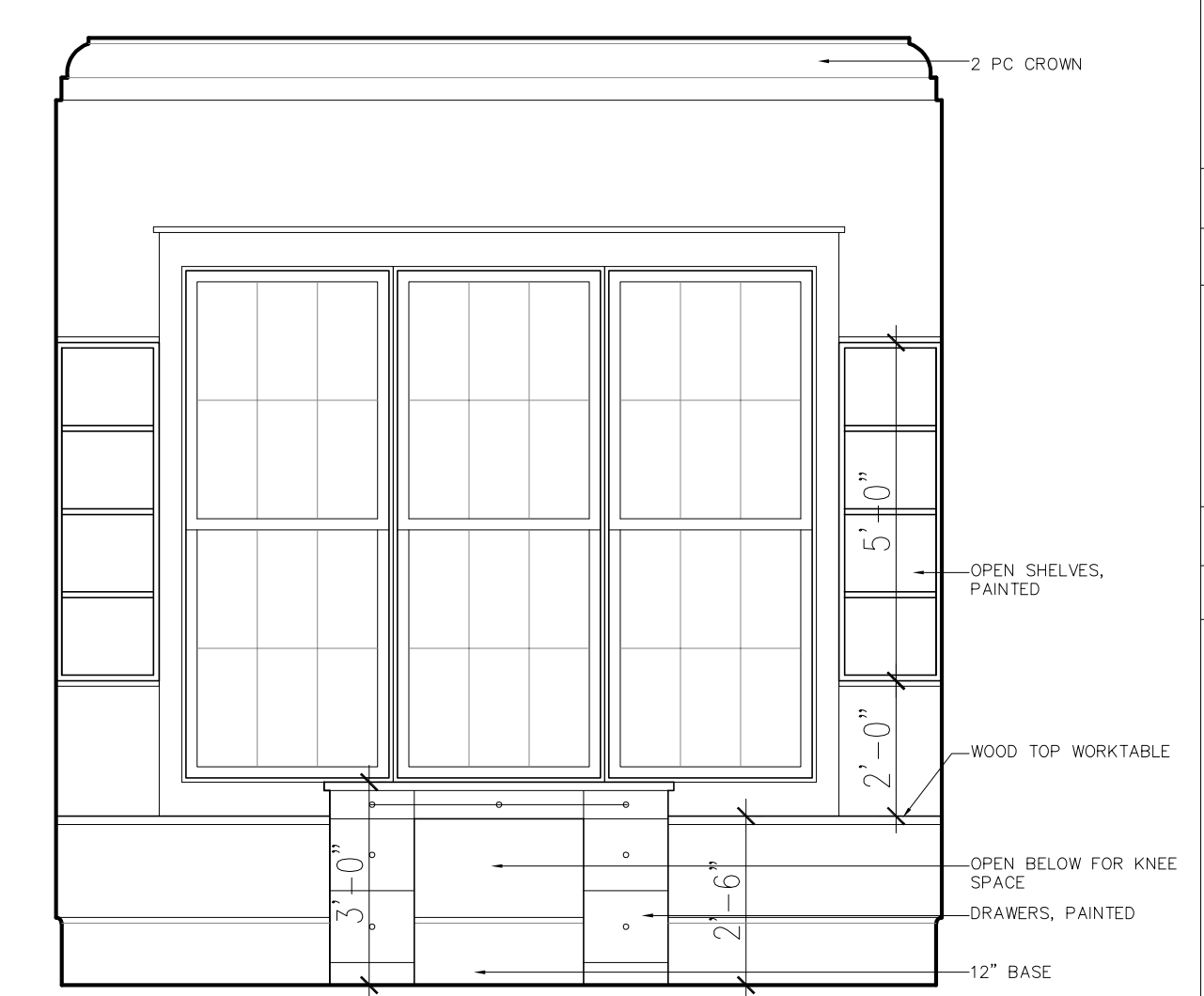
3 Bath  
Scale: 3/8" = 1'-0"



4 Bath  
Scale: 3/8" = 1'-0"



5 Office  
Scale: 3/8" = 1'-0"



6 Office  
Scale: 1/4" = 1'-0"

Addendum  
Date December 27, 2018  
Revised February 21, 2019  
March 20, 2019  
Drawn by JMW  
Scale as noted  
Sheet Title  
Sheet No.

Lighting/  
Interiors

A4

BEAU CHENE

studioMV

studioMV  
matthew voelkel llc

design  
color  
space  
form  
interiors

BEAU CHENE  
marina entry gates  
covington  
ST. TAMMANY PARISH