



CenterWell



Signage Innovations

8181 Jetstar Drive
Suite 110
Irving, TX 75063
972-915-3800
www.asisignage.com

Exterior Plan

Denham Springs / 02-18-2021

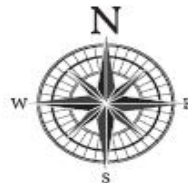
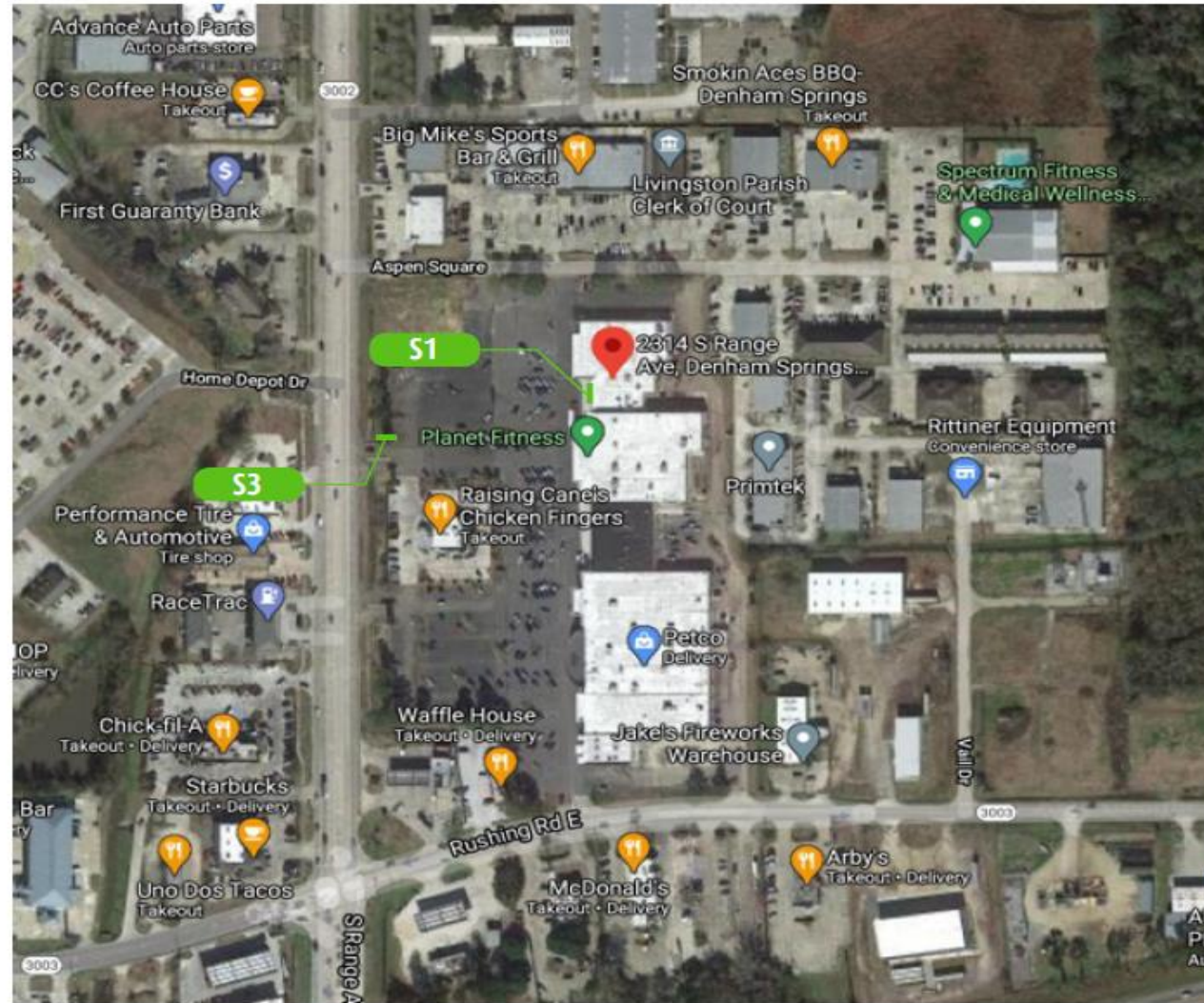
2314 S. Range Ave.; Denham Springs, LA 70726

Legal Notice

This drawing is the property of ASI Signage. This drawing is submitted under a confidential relationship for a specific purpose and the recipient, by accepting this document, assumes custody and agrees that this document will not be copied or reproduced in whole or in part, nor its contents revealed in any manner or to any person except to meet the purpose for which it was delivered without express written permission from ASI Signage.

Location Name: Denham Springs

Address: 2314 Range Ave.; Denham Springs, LA 70726



8181 Jetstar Drive
Suite 110
Irving, TX 75063
972-915-3800
www.asisignage.com

Project:	CenterWell	Revisions	Initials	Date	New Project Files Projects 2014 to Current ↳ CenterWell Locations ↳ Denham Springs/Shop Drawings ↳ Denham Springs Exterior.pdf
Location:	2314 S. Range Ave.; Denham Springs, LA 70726				
Date:	02-18-2021	Version: 1			
Scale:	as noted	Artist: G. Owens			

LP



Existing



Proposed

Electrical Notes:

1. All electrical components to be UL approved
2. Customer is responsible for one (1) 120v/20a dedicated circuit with ground per sign within 6' of sign
3. Lock out switch installed at panel box for all electrical signs
4. Install in accordance with N.E.C. article 600 and/or local codes. This includes proper grounding and bonding of signs.



Front/West Elevation
Location: S1



8181 Jetstar Drive
Suite 110
Irving, TX 75063
972-915-3800
www.asisignage.com

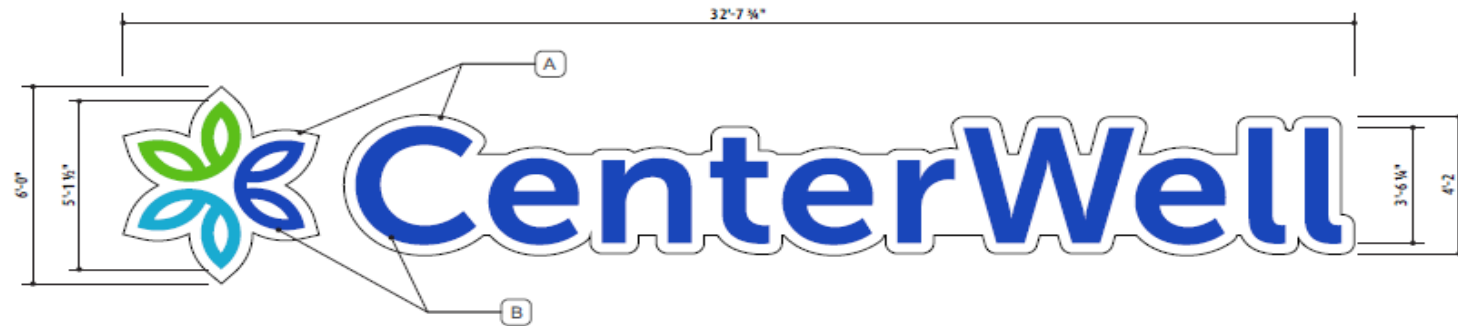
Project: CenterWell		Revisions		Initials	Date	New Project Files Projects 2014 to Current ↳ CenterWell Locations ↳ Denham Springs/Shop Drawings ↳ Denham Springs Exterior.pdf
Location: 2314 S. Range Ave.; Denham Springs, LA 70726		Deleted option 1		GO	04.26.21	
Date: 02-18-2021	Version: 1					
Scale: as noted	Artist: G. Owens					

Electrical Notes:

1. All electrical components to be UL approved
2. Customer is responsible for one (1) 120v/20a dedicated circuit with ground per sign within 6' of sign
3. Lock out switch installed at panel box for all electrical signs
4. Install in accordance with N.E.C. article 600 and/or local codes. This includes proper grounding and bonding of signs.

Detail Descriptions:

- A: 1/8" White Composite Aluminum Backer Matte side to front of sign, attached to (2) raceways. Logo to receive individual raceway & text to receive individual raceway. Raceway color: SC-901 White
- B: 3" deep fabricated, trimless face lit channel logo. Full coverage Dual Color vinyl on white Lexan faces.



195.8 Sq. Ft.

ELEVATION: Scale: 1/4" = 1'-0"

S1

QUANTITY: 1



Electrical Requirements

- (1) 20amp 3-wire 120V-277V Circuit

Est. (2-3) 12v 60Watt power supplies

Face lit channel letters, not trim cap

- | | |
|--|---|
| Material Type: | Process: |
| <input type="checkbox"/> Clear Gloss Acrylic | <input type="checkbox"/> Screen Print |
| <input type="checkbox"/> P95 Matte Acrylic | <input type="checkbox"/> Flat Bed Digital |
| <input type="checkbox"/> Non-Glare Acrylic | <input checked="" type="checkbox"/> Vinyl Digital |
| <input checked="" type="checkbox"/> 7328 White Acrylic | <input type="checkbox"/> Hemes |
| <input checked="" type="checkbox"/> Other | <input type="checkbox"/> Vinyl Graphics |

Fonts:
Client Provided Artwork

- Image Colors:**
- Letter Returns: SC-901 White
 - 3M 3635-157 Dual-Color Sultan Blue
 - 3M 3635-200 Dual-Color matching PMS 801 Lt Blue
 - 3M 3635-200 Dual-Color matching PMS 368C Green

Background Colors/Finishes:

- SC-901 White
- Raceway**
- SC-901 White

- Clear Coat:**
- Gloss
 - Satin
 - Matte
 - None

Legal Notice:
This drawing is the property of ASI Signage Innovations. This drawing is submitted under a confidential relationship for a specified purpose and the recipient, by accepting this document, assumes custody and agrees that this document will not be copied or reproduced in whole or in part, nor its contents revealed in any manner or to any person except to meet the purpose for which it was delivered without express written permission from ASI Signage Innovations.

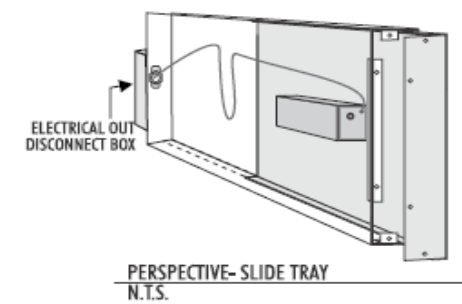
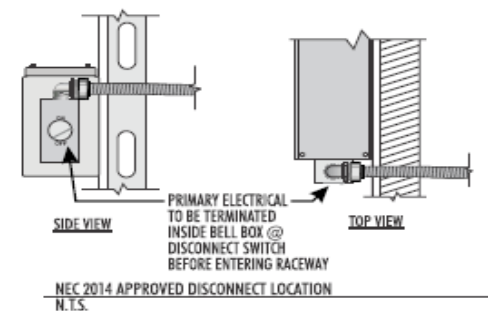
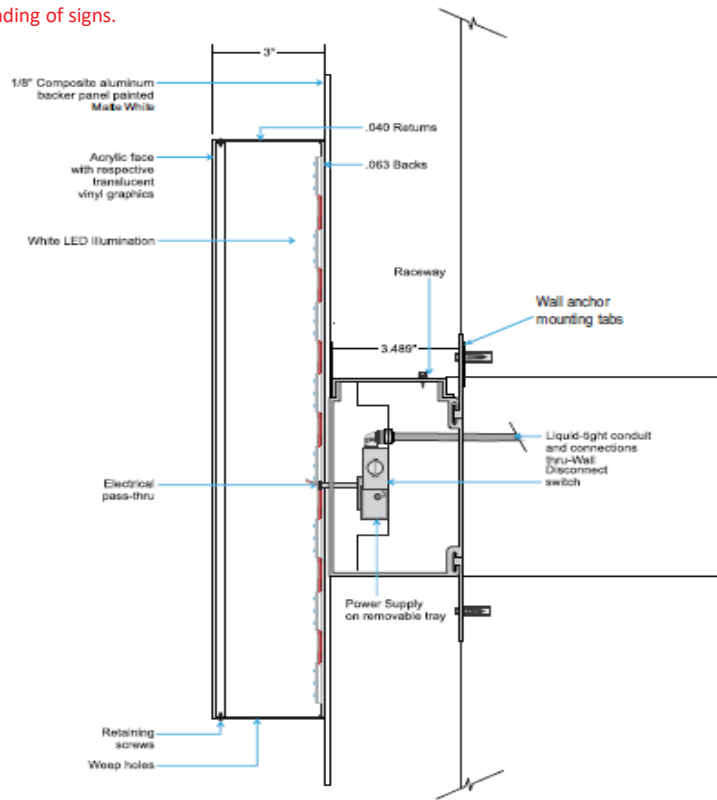


8181 Jetstar Drive
Suite 110
Irving, TX 75063
972-915-3800
www.asisignage.com

Project: CenterWell	Revisions	Initials	Date	New Project Files Projects 2014 to Current ↳ CenterWell Locations ↳ Denham Springs/Shop Drawings ↳ Denham Springs Exterior.pdf
Location: 2314 S. Range Ave.; Denham Springs, LA 70726	Deleted option 1	GO	04.26.21	
Date: 02-18-2021	Version: 1			
Scale: as noted	Artist: G. Owens			

Electrical Notes:

1. All electrical components to be UL approved
2. Customer is responsible for one (1) 120v/20a dedicated circuit with ground per sign within 6' of sign
3. Lock out switch installed at panel box for all electrical signs
4. Install in accordance with N.E.C. article 600 and/or local codes. This includes proper grounding and bonding of signs.



	Project: CenterWell	Revisions	Initials	Date	New Project Files Projects 2014 to Current ↳ CenterWell Locations ↳ Denham Springs/Shop Drawings ↳ Denham Springs Exterior.pdf
	Location: 2314 S. Range Ave.; Denham Springs, LA 70726				
	Date: 02-18-2021	Version: 1			
	Scale: as noted	Artist: G. Owens			