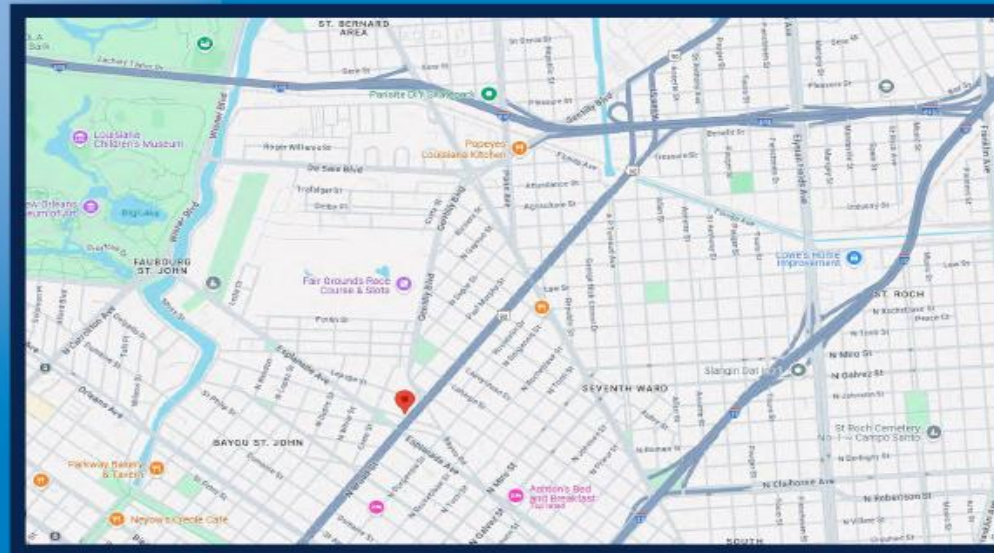


# CHASE



## #48200R017546

### Broad Desoto - Exterior Refresh 1425 N Broad St New Orleans, LA 70119



#### REVISION NOTES:

- R1: B01 moved to face Desoto Street - AS - 03/05/25
- R2: B04-B08 removed from scope of work and added two sets of Sig canopies, Headache bar to scope - AS - 03/13/25
- R3: East elevation updated and edited to match allowed monument - AS - 03/19/25
- R5: Detail Drawing - UPD A/E - AS - 04/08/25
- R7: Detail Drawing - Added A01 sig to elevation and updated existing conditions photos - AS - 04/16/25
- R9: Detail Drawing - B01 and B01 locations updated - AS - 05/01/25



## Signtech™

4444 Federal Blvd. San Diego CA 92102  
Phone: (619) 527-6100 / Fax: (619) 527-6111  
signtech.com



### JP Morgan Chase Bank #48200R017546

Broad Desoto - Exterior Refresh  
1425 N Broad St  
New Orleans, LA 70119

Initial Date: 02/24/25  
Salesperson: Arthur Navarro  
Coordinator: Lorena P Leon  
Designer: ASena  
Scale: As noted

#### CUSTOMER APPROVAL

Customer Signature \_\_\_\_\_ Date \_\_\_\_\_

**COPY, COLORS & SIZES**

Signtech does NOT provide primary  
electrical to sign location -  
**RESPONSIBILITY OF OTHERS!**

Customer Signature \_\_\_\_\_ Date \_\_\_\_\_

This design is the exclusive property of Signtech  
and cannot be reproduced in whole or in part,  
without their prior written approval.

Drawing Number: 25-00444

Project ID: CHASE\_48200R017546\_1

Revision: R9: AS - 05/01/25

Page:

**SITE PLAN**  
**SCALE: 1" = 40'-0"**



EXTERIOR SCOPE OF WORK				
SIGN ID	ELEVATION	SIGN TYPE	DESCRIPTION	SQFT
G01	--	M-12-RE*	Double-Faced Illuminated Pylon	12
B01	WEST	LNIC-WBO-12	12" White Channel Letters and Logo - Non-Illuminated	9.1
B02	SOUTH	LIF-R-WBO-24	24" White Channel Letters and Logo w/ Raceway	36.9
B03	EAST	LIF-WBO-24	24" White Channel Letters and Logo	36.9

SQUARE FOOTAGE	
PROPOSED SQFT:	94.9



**\*MONUMENT & PYLON GROUND SIGNS\***  
**\*FINAL LOCATION TO BE CONFIRMED**  
**VIA CIVIL ENGINEERING REPORT &**  
**VERIFIED BY FIELD SURVEY\***



**Signtech™**

4444 Federal Blvd. San Diego CA 92102  
 Phone: (619) 527-6100 / Fax: (619) 527-6111  
 signtech.com



**JP Morgan Chase Bank**  
**#48200R017546**

Broad Desoto - Exterior Refresh  
 1425 N Broad St  
 New Orleans, LA 70119

Initial Date: 02/24/25  
 Salesperson: Arthur Navarro  
 Coordinator: Lorena P Leon  
 Designer: ASena  
 Scale: As noted

**CUSTOMER APPROVAL**

Customer Signature: \_\_\_\_\_ Date: \_\_\_\_\_  
**COPY, COLORS & SIZES**

Signtech does NOT provide primary  
 electrical to sign location -  
**RESPONSIBILITY OF OTHERS!**

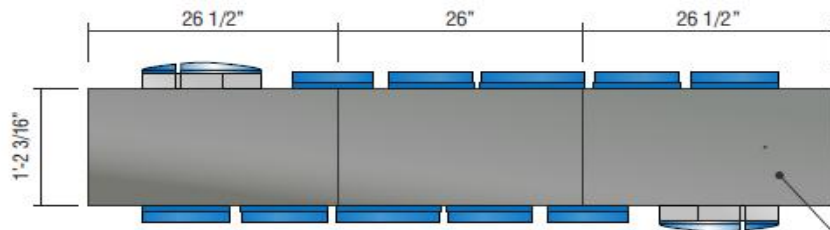
Customer Signature: \_\_\_\_\_ Date: \_\_\_\_\_  
 This design is the exclusive property of Signtech  
 and cannot be reproduced in whole or in part,  
 without their prior written approval.

Drawing Number: 25-00444

Project ID: CHASE\_48200R017546\_1

Revision: R9: AS - 05/01/25

**Sign Legend / Site Plan**



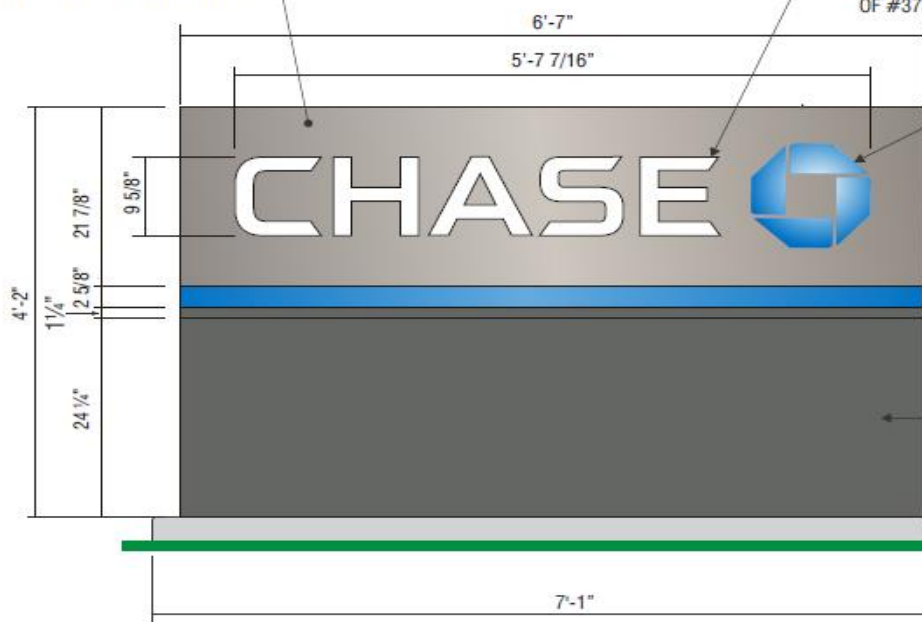
**TOP VIEW SCALE: 3/4" = 1'-0"**

.125" ALUM. TOP REMOVABLE ACCESS PANELS PAINT TO MATCH MATTHEWS #MP-19891 CHASE NICKEL GLOSS FINISH

ALL EXPOSED PAINTED SURFACES SHALL BE COATED WITH MATTHEWS #282-208SP VOC GLOSS CLEAR, WITH MINIMUM 2 MILS DRY FILM THICKNESS (DFT) PER MATTHEWS APPLICATION SPECIFICATIONS.

ALL EXPOSED FASTENER HEADS SHALL BE PAINTED TO MATCH THE EXTERIOR CABINET FINISH

.125" ALUM. TOP PANEL PAINT TO MATCH MATTHEWS #MP-19891 CHASE NICKEL GLOSS FINISH



**FRONT VIEW SCALE: 3/4" = 1'-0"**

LED ILLUMINATED CHASE LETTERSET w/ .125" #7328 WHITE ACRYLIC FACES & .125" #6046 BLUE ACRYLIC RETURNS. RETURNS TO RECEIVE 2ND SURFACE LAYER OF #3735-60 DIFFUSER FILM

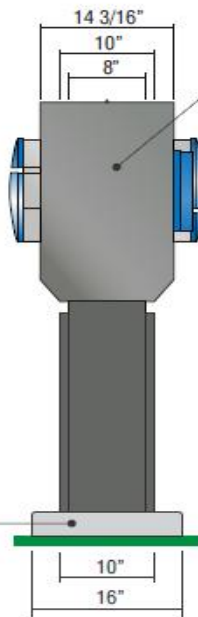
LED ILLUMINATED OCTAGON w/ .125" #6046 BLUE ACRYLIC FACES & ALUM. RETURNS

.125" #6046 BLUE ACRYLIC ILLUMINATED ACCENT STRIP ON BOTH FACES

1 3/4" ALUM. REVEAL PAINT TO MATCH MATTHEWS #MP-18248 DARK NICKEL GLOSS FINISH

.125" ALUM. BASE COVER PAINT TO MATCH MATTHEWS #MP-18248 DARK NICKEL GLOSS FINISH

FORMED CONCRETE MOW STRIP 3" HIGH w/ BULL-NOSED TOP EDGE



**END VIEW**

.125" ALUM. SIDE PANEL PAINT TO MATCH MATTHEWS #MP-19891 CHASE NICKEL GLOSS FINISH



**EXISTING CONDITION - NOT TO SCALE  
- REMOVE AND REPLACE W/ NEW M-12-RE**



**Signtech™**

4444 Federal Blvd. San Diego CA 92102  
Phone: (619) 527-6100 / Fax: (619) 527-6111  
signtech.com



**JP Morgan Chase Bank  
#48200R017546**

Broad Desoto - Exterior Refresh  
1425 N Broad St  
New Orleans, LA 70119

Initial Date: 02/24/25  
Salesperson: Arthur Navarro  
Coordinator: Lorena P Leon  
Designer: ASena  
Scale: As noted

**CUSTOMER APPROVAL**

Customer Signature: \_\_\_\_\_ Date: \_\_\_\_\_  
**COPY, COLORS & SIZES**

Signtech does NOT provide primary electrical to sign location -  
**RESPONSIBILITY OF OTHERS!**

Customer Signature: \_\_\_\_\_ Date: \_\_\_\_\_

This design is the exclusive property of Signtech and cannot be reproduced in whole or in part, without their prior written approval.

Drawing Number: 25-00444

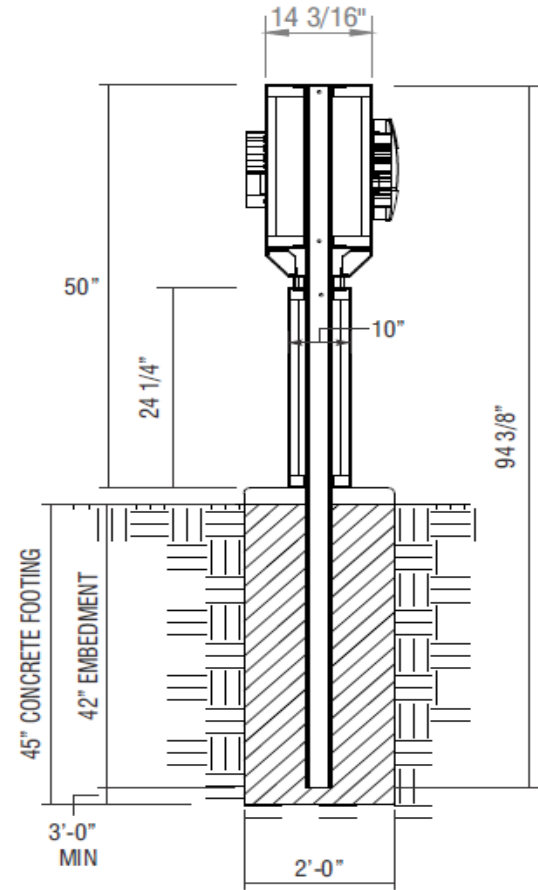
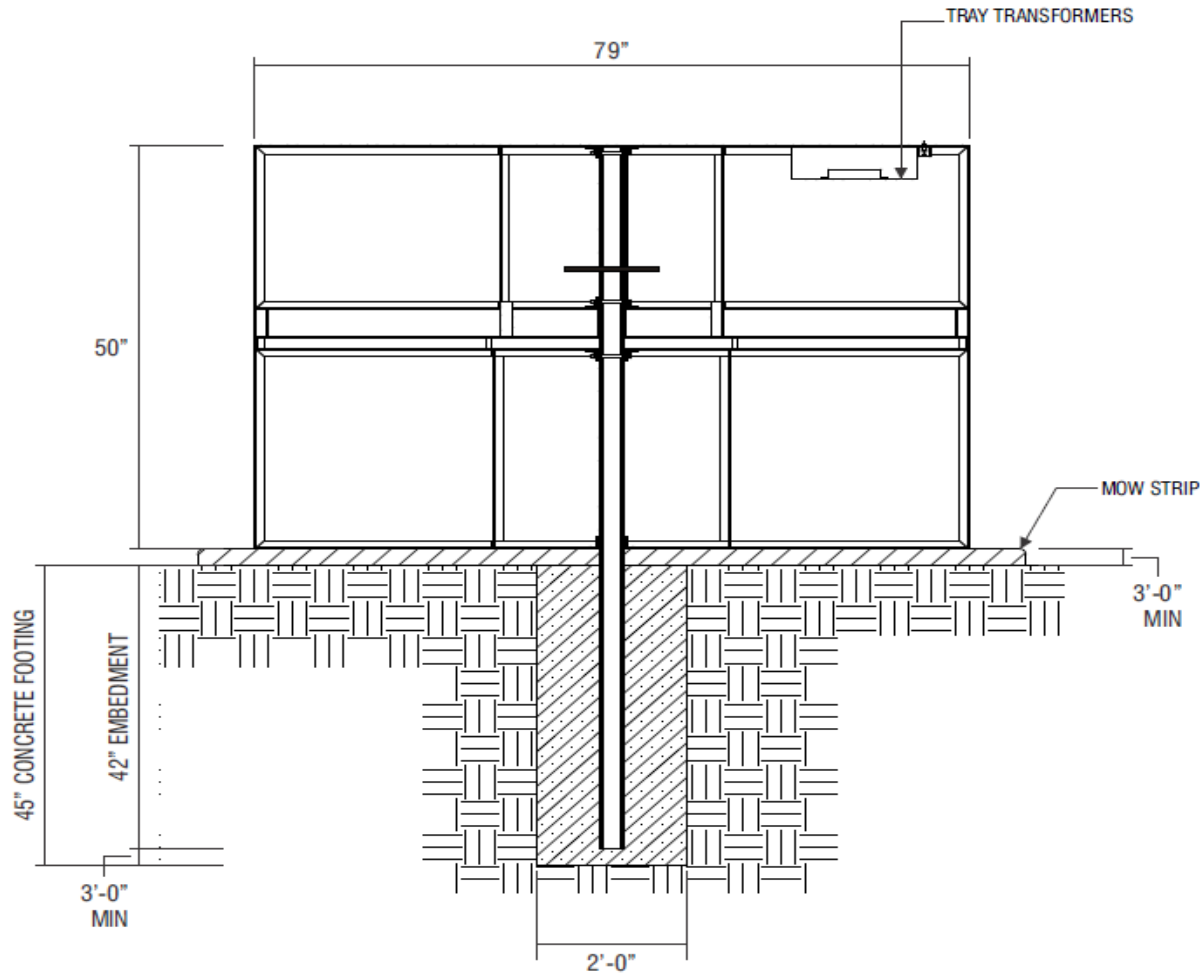
Project ID: CHASE\_48200R017546\_1

Revision: R9: AS - 05/01/25

**G01 SIGN TYPE M-12-RE**

**MANUFACTURE AND INSTALL ONE (1) INTERNALLY ILLUMINATED D/F MONUMENT SIGN**





**C-C** INSTALLATION LONGITUDINAL SECTION

Scale: NTS

**D-D** VERTICAL SECTION

Scale: NTS



**Signtech™**

4444 Federal Blvd. San Diego CA 92102  
 Phone: (619) 527-6100 / Fax: (619) 527-6111  
 signtech.com



**JP Morgan Chase Bank**  
 #48200R017546

Broad Desoto - Exterior Refresh  
 1425 N Broad St  
 New Orleans, LA 70119

Initial Date: 02/24/25  
 Salesperson: Arthur Navarro  
 Coordinator: Lorena P Leon  
 Designer: ASena  
 Scale: As noted

**CUSTOMER APPROVAL**

Customer Signature: \_\_\_\_\_ Date: \_\_\_\_\_  
**COPY, COLORS & SIZES**

Signtech does NOT provide primary  
 electrical to sign location -  
**RESPONSIBILITY OF OTHERS!**

Customer Signature: \_\_\_\_\_ Date: \_\_\_\_\_  
 This design is the exclusive property of Signtech  
 and cannot be reproduced in whole or in part,  
 without their prior written approval.

Drawing Number: 25-00444

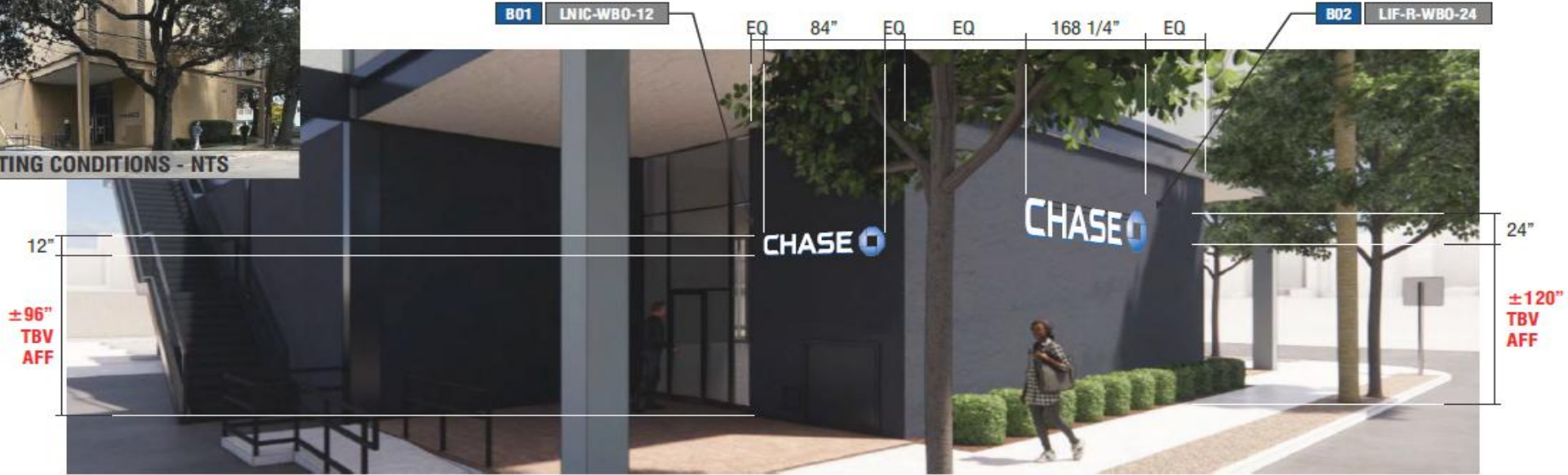
Project ID: CHASE\_48200R017546\_1

Revision: R9: AS - 05/01/25

Page:

**ELEVATION - ALLOWABLE**

**SIGNAGE OVERVIEW - ALLOWED**



**SOUTHWEST ELEVATION - APPROX. SCALE: 3/16" = 1'-0"**



**EAST ELEVATION - APPROX. SCALE: 3/32" = 1'-0"**



**Signtech™**

4444 Federal Blvd. San Diego CA 92102  
Phone: (619) 527-6100 / Fax: (619) 527-6111  
signtech.com



**JP Morgan Chase Bank**  
#48200R017546

Broad Desoto - Exterior Refresh  
1425 N Broad St  
New Orleans, LA 70119

Initial Date: 02/24/25  
Salesperson: Arthur Navarro  
Coordinator: Lorena P Leon  
Designer: ASena  
Scale: As noted

**CUSTOMER APPROVAL**

Customer Signature \_\_\_\_\_ Date \_\_\_\_\_  
**COPY, COLORS & SIZES**

Signtech does NOT provide primary electrical to sign location -  
**RESPONSIBILITY OF OTHERS!**

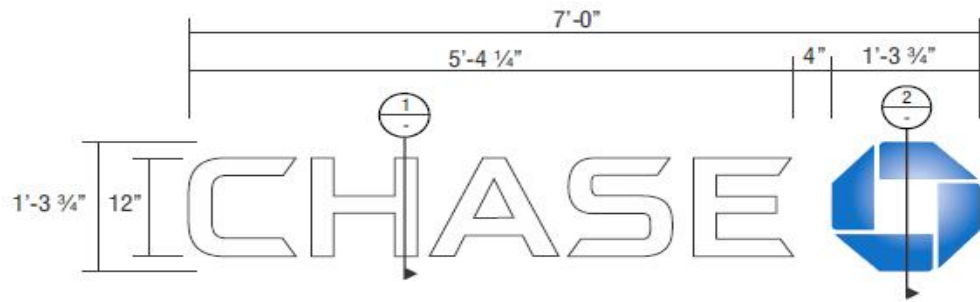
Customer Signature \_\_\_\_\_ Date \_\_\_\_\_  
This design is the exclusive property of Signtech and cannot be reproduced in whole or in part, without their prior written approval.

Drawing Number: 25-00444

Project ID: CHASE\_48200R017546\_1

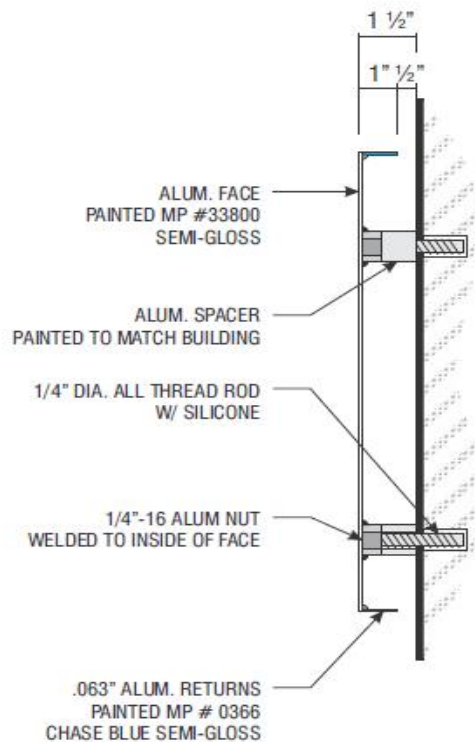
Revision: R9: AS - 05/01/25

**Exterior Elevations**

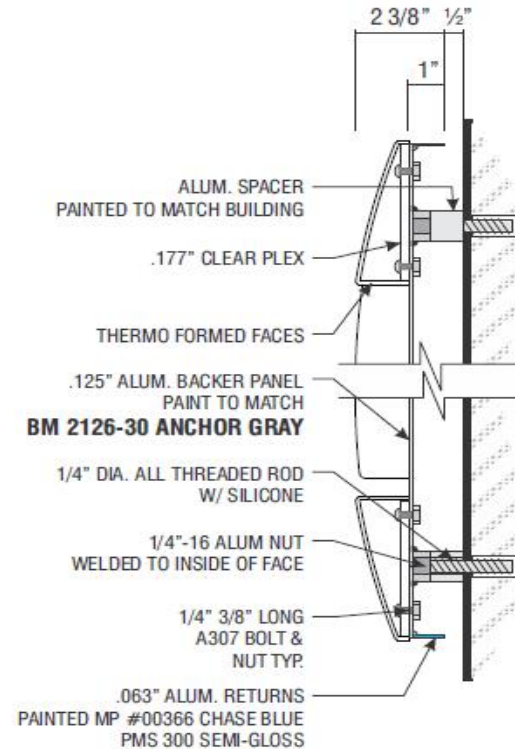


FRONT VIEW

SCALE : 3/4" = 1'-0"



1 LETTER SECTION DETAIL  
SCALE 3" = 1'-0"



2 OCTAGON SECTION DETAIL  
SCALE 3' = 1'-0"

B01

SIGN TYPE LNIC-WBO-12

MANUFACTURE AND INSTALL ONE (1) NON-ILLUMINATED SET OF CHANNEL LETTERS



Signtech™

4444 Federal Blvd. San Diego CA 92102  
Phone: (619) 527-6100 / Fax: (619) 527-6111  
signtech.com



JP Morgan Chase Bank  
#48200R017546

Broad Desoto - Exterior Refresh  
1425 N Broad St  
New Orleans, LA 70119

Initial Date: 02/24/25  
Salesperson: Arthur Navarro  
Coordinator: Lorena P Leon  
Designer: ASena  
Scale: As noted

CUSTOMER APPROVAL

Customer Signature: \_\_\_\_\_ Date: \_\_\_\_\_  
COPY, COLORS & SIZES

Signtech does NOT provide primary  
electrical to sign location -  
RESPONSIBILITY OF OTHERS!

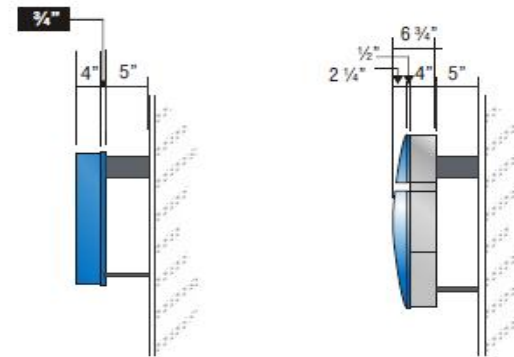
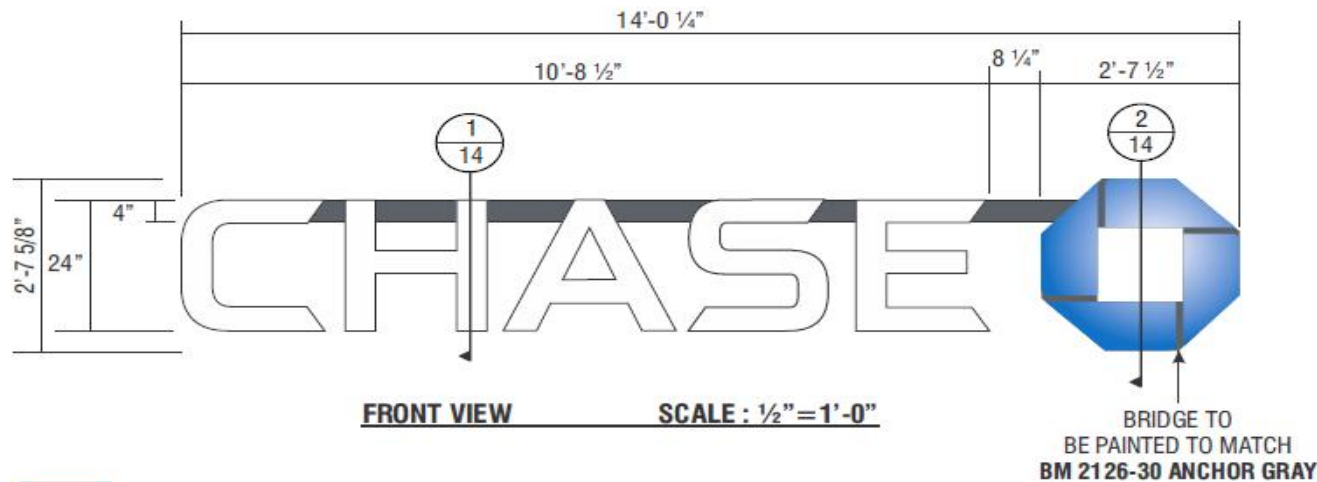
Customer Signature: \_\_\_\_\_ Date: \_\_\_\_\_

This design is the exclusive property of Signtech  
and cannot be reproduced in whole or in part,  
without their prior written approval.

Drawing Number: 25-00444

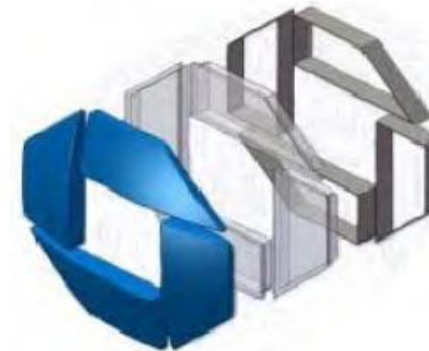
Project ID: CHASE\_48200R017546\_1

Revision: R9: AS - 05/01/25



**ENDVIEW OF LETTER**  
**SCALE: 1/2" = 1'-0"**

**ENDVIEW OF LOGO**  
**SCALE: 1/2" = 1'-0"**



**3D VIEW OF OCTAGON**

**B02**

**SIGN TYPE** LIF-R-WB0-24

**MANUFACTURE AND INSTALL ONE (1) SET OF ILLUMINATED LETTERS & LOGO w/ PLEX FACES & RETURNS ON RACEWAY**

**LETTERS:**

**FACE:** .177" ARISTECH #7328 P-95 WHITE PLEX (MATTE SIDE TO BE 1ST SURFACE) CHEM WELDED TO RETURNS  
**RETURNS:** 0.118" x 4" DEEP ARISTECH #6046 BLUE WITH 3635-70 DIFFUSER VINYL ON 2ND (INTERIOR) SURFACE.  
**BACKS:** .080" ALUM BACK WITH 3/4" x .080" OUTSIDE ALUM RETURN AND 1/2" x 1/8" ALUM ANGLE CLIPS ON INTERIOR OF LETTER FOR FACE ATTACHMENT

**PAINT:** EXTERIOR PAINT MATTHEWS MP-00366 CHASE BLUE SEMI-GLOSS FINISH (60-70 UNITS) AND INTERIOR PAINTED SPRAY-LAT STAR BRITE WHITE LIGHT ENHANCEMENT PAINT.

**ILLUMINATION:** SLOAN PRISM 7100K #701269-7WSJ1-MB WHITE LEDs AND SLOAN POWER SUPPLY REQUIRED FOR PROPER EVEN ILLUMINATION.

**LOGO:**

**BACKS:** .080" ALUM BACK WITH STACK WELDED 4" x .080" ALUM RETURNS.

**LOGO CAN FACE:** .080" ALUM BRIDGE ELEMENTS WELDED TO INSIDE & OUTSIDE RETURNS

**PLEX FACE:** .118" THERMO FORMED ARISTECH #6046 BLUE LOGO ELEMENTS CHEM WELDED TO 3/4" CLEAR PLEX 2ND SURFACE FACES.

**PAINT:** EXTERIOR PAINT MATTHEWS "CHASE NICKEL" #MP-19891 GLOSS FINISH AND INTERIOR PAINTED SPRAY-LAT STAR BRITE WHITE LIGHT ENHANCEMENT PAINT.

**ILLUMINATION:** SLOAN PRISM #701269-BLSJ1-MB BLUE LEDs AND SLOAN POWER SUPPLY AS REQUIRED FOR PROPER EVEN ILLUMINATION

**RACEWAY:** .063" BRAKE FORMED ALUM RACEWAY, SIGNTECH LIBRARY #1014A

**RW FINISH:** PAINT TO MATCH THE BUILDING - **BM 2126-30 ANCHOR GRAY**

**INSTALL** LOWER PORTION OF LETTERS TO HAVE #10, TEK SCREWS AND SPACERS ATTACH TO WALL

**SPACERS FINISH:** SPACERS PAINTED TO MATCH THE BUILDING - **BM 2126-30 ANCHOR GRAY**

**ELECTRICAL REQUIREMENTS FOR LED ILLUMINATION**

As required by standard #2161, Signtech Electrical Advertising, Inc., exclusively uses secondary Ground fault-Interrupted (GFI) transformers.

- A dedicated branch circuit
- Three wires: Line, Ground, and Neutral.
- Wire Size: Min 12 GA THHN Copper Wire.

NOTE: The gauge of the wire is dictated by the length of the run & amperage as per NEC Article 600.  
 - The ground wire must be continuous & go from the sign to the panelboard ground bus.



**Signtech™**

4444 Federal Blvd. San Diego CA 92102  
 Phone: (619) 527-6100 / Fax: (619) 527-6111  
 signtech.com



**JP Morgan Chase Bank**  
**#48200R017546**

Broad Desoto - Exterior Refresh  
 1425 N Broad St  
 New Orleans, LA 70119

Initial Date: 02/24/25  
 Salesperson: Arthur Navarro  
 Coordinator: Lorena P Leon  
 Designer: ASana  
 Scale: As noted

**CUSTOMER APPROVAL**

Customer Signature \_\_\_\_\_ Date \_\_\_\_\_  
**COPY, COLORS & SIZES**

Signtech does NOT provide primary electrical to sign location -  
**RESPONSIBILITY OF OTHERS!**

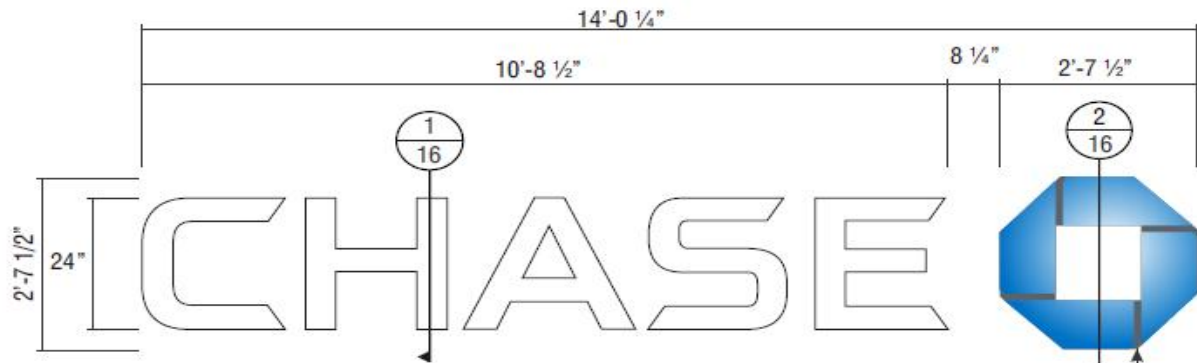
Customer Signature \_\_\_\_\_ Date \_\_\_\_\_

This design is the exclusive property of Signtech and cannot be reproduced in whole or in part, without their prior written approval.

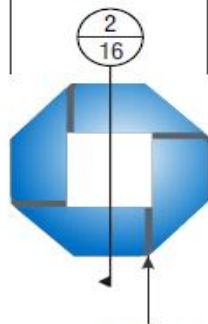
Drawing Number: 25-00444

Project ID: CHASE\_48200R017546\_1

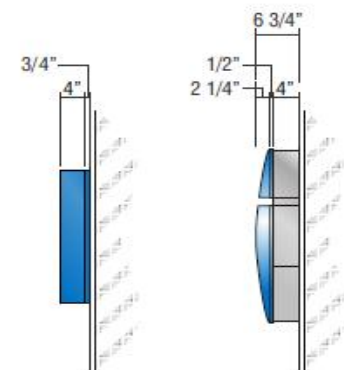
Revision: R9: AS - 05/01/25



**FRONT VIEW** SCALE: 1/2" = 1'-0"



BRIDGE TO BE PAINTED TO MATCH  
BM 2126-30 ANCHOR GRAY



**END VIEW OF LETTER**  
1/2" = 1'-0"

**END VIEW OF LOGO**  
1/2" = 1'-0"



**3D VIEW OF OCTAGON**

**ALL EXPOSED FASTENER HEADS  
SHALL BE PAINTED TO MATCH  
THE EXTERIOR SURFACE FINISH**

**B03**

**SIGN TYPE** LIF-WB0-24

**MANUFACTURE AND INSTALL ONE (1) SET OF ILLUMINATED LETTERS & LOGO w/PLEX FACES & RETURNS**

**LETTERS:**

- FACE:** .177" ARISTECH #7328 P-95 WHITE PLEX (MATTE SIDE TO BE 1ST SURFACE) CHEM WELDED TO RETURNS
- RETURNS:** 0.118" x 4" DEEP ARISTECH #6046 BLUE WITH 3635-70 DIFFUSER VINYL ON 2ND (INTERIOR) SURFACE.
- BACKS:** .080" ALUM BACK WITH 3/4" x .080" OUTSIDE ALUM RETURN AND 1/2" x 1/8" ALUM ANGLE CLIPS ON INTERIOR OF LETTER FOR FACE ATTACHMENT
- PAINT:** EXTERIOR PAINTED MATTHEWS MP-00366 CHASE BLUE SEMI-GLOSS FINISH (60-70 UNITS) AND INTERIOR PAINTED SPRAY-LAT STAR BRITE WHITE LIGHT ENHANCEMENT PAINT.
- ILLUMINATION:** SLOAN PRISM 7100K #701269-7WSJ1-MB WHITE LEDs AND SLOAN POWER SUPPLY REQUIRED FOR PROPER EVEN ILLUMINATION.

**LOGO:**

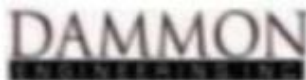
- BACKS:** .080" ALUM BACK WITH STACK WELDED 4" x .080" ALUM RETURNS.
- LOGO CAN FACE:** .080" ALUM BRIDGE ELEMENTS WELDED TO INSIDE & OUTSIDE RETURNS
- PLEX FACE:** .118" THERMO FORMED ARISTECH #6046 BLUE LOGO ELEMENTS CHEM WELDED TO 3/4" CLEAR PLEX 2ND SURFACE FACES.
- PAINT:** EXTERIOR PAINT MATTHEWS "CHASE NICKEL" #MP-19891 GLOSS FINISH AND INTERIOR PAINTED SPRAY-LAT STAR BRITE WHITE LIGHT ENHANCEMENT PAINT.
- ILLUMINATION:** SLOAN PRISM #701269-BLSJ1-MB BLUE LEDs AND SLOAN POWER SUPPLY AS REQUIRED FOR PROPER EVEN ILLUMINATION

**ELECTRICAL REQUIREMENTS FOR LED ILLUMINATION**

As required by standard #2161, Signtech Electrical Advertising, Inc., exclusively uses secondary Ground fault-Interrupted (GFI) transformers.

- Each Sign MUST have:
  - A dedicated branch circuit
  - Three wires: Line, Ground, and Neutral.
  - Wire Size: Min 12 GA THHN Copper Wire.

NOTE: The gauge of the wire is dictated by the length of the run & amperage as per NEC Article 600.  
- The ground wire must be continuous & go from the sign to the panelboard ground bus.



**Signtech™**

4444 Federal Blvd. San Diego CA 92102  
Phone: (619) 527-6100 / Fax: (619) 527-6111  
signtech.com



**JP Morgan Chase Bank**  
#48200R017546

Broad Desoto - Exterior Refresh  
1425 N Broad St  
New Orleans, LA 70119

Initial Date: 02/24/25  
Salesperson: Arthur Navarro  
Coordinator: Lorena P Leon  
Designer: ASena  
Scale: As noted

**CUSTOMER APPROVAL**

Customer Signature \_\_\_\_\_ Date \_\_\_\_\_  
**COPY, COLORS & SIZES**

Signtech does NOT provide primary electrical to sign location -  
**RESPONSIBILITY OF OTHERS!**

Customer Signature \_\_\_\_\_ Date \_\_\_\_\_

This design is the exclusive property of Signtech and cannot be reproduced in whole or in part, without their prior written approval.

Drawing Number: 25-00444

Project ID: CHASE\_48200R017546\_1

Revision: R9: AS - 05/01/25

Page: