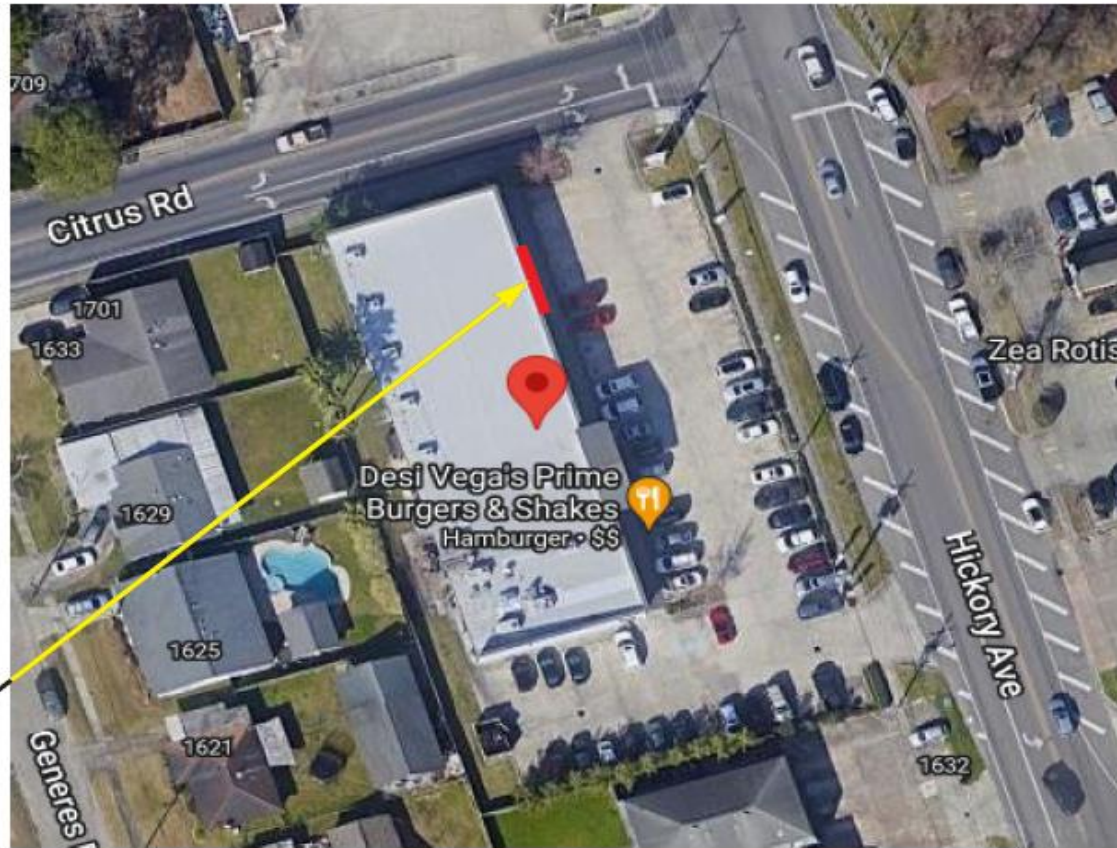




VICINITY MAP:



SP

Site & Sign Location Plan

Scale: NTS

EGAN
SIGN

1100 Berkshire Blvd. Suite 200, Wyomissing, PA | (Toll Free): 844.460.6631 | (Fax): 610.478.1332 | www.egansign.com

This design/engineering proposal will remain the exclusive property of Egan Sign until approved and accepted through purchase by client named directly on drawing and may not be duplicated by other parties or design fee will apply @ \$95 per hour.

Sign Management Made Simple

trueblue
THE PEOPLE COMPANY

Client:
TrueBlue, Inc.
Will Hardyman
1015 A Street
Tacoma, WA 98402

Location Address:
PeopleReady #21245
1640 Hickory Ave. Suite E
Harahan, LA 70123

Description:
Site Plan

Color Key:

Layout Date:
10/24/2022 - SK/AR

Revision Date:
11/03/2022 - RS/AR

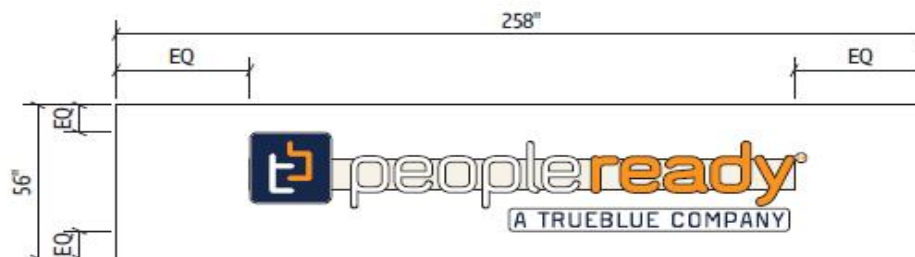
File Name:
29952_Harahan.pdf
Project Number: 29952



Proposed



Existing



Electrical Notes: All electrical components to be UL approved Customer is responsible for one (1) 120v/20a dedicated circuit with ground per sign within 6' of sign Lock out switch installed at panel box for all electrical signs Install in accordance with N.E.C. article 600 and/or local codes. This includes proper grounding and bonding of signs



Client:
TrueBlue, Inc.
Will Hardyman
1015 A Street
Tacoma, WA 98402

Location Address:
PeopleReady #21245
1640 Hickory Ave. Suite E
Harahan, LA 70123

Description:
Channel Letters - Raceway Mount
(44.2 sq.ft.)

Color Key:

- 3M #3630-74 Kumquat Orange
- 3M #3630-36 Blue
- White
- Blackout Vinyl Backer
- Black
- SW 9503 "Cheviot"

Layout Date:
10/24/2022 - SK/AR

Revision Date:
11/03/2022 - RS/AR

Channel Letters - On Raceway: WITH TAG LINE

A

Scale: 1/4" = 1'-0"



1100 Berkshire Blvd. Suite 200, Wyomissing, PA | (Toll Free): 844.460.6631 | (Fax): 610.478.1332 | www.egansign.com

This design/engineering proposal will remain the exclusive property of Egan Sign until approved and accepted through purchase by client named directly on drawing and may not be duplicated by other parties or design fee will apply @ \$95 per hour.

Sign Management Made Simple

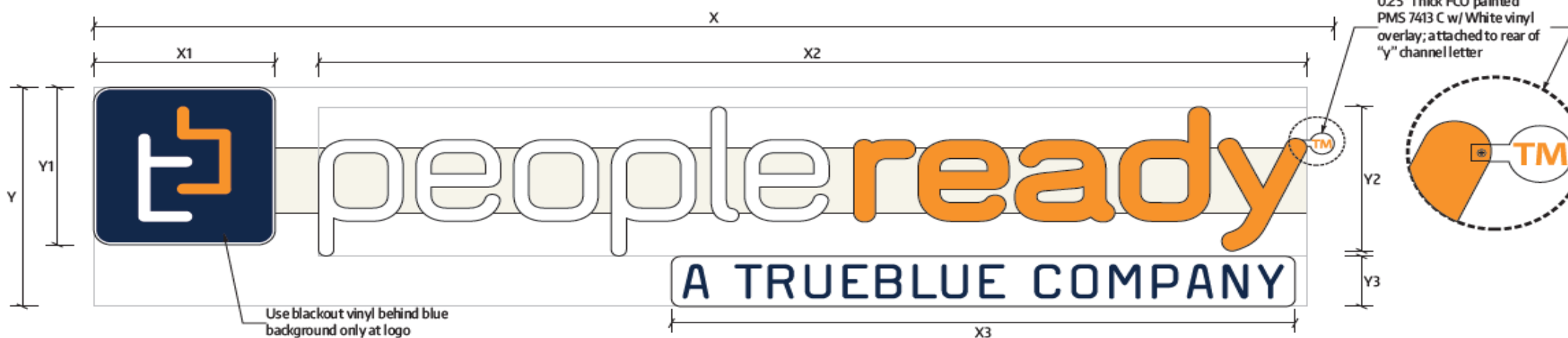
File Name:
29952_Harahan.pdf
Project Number: 29952

Client:
TrueBlue, Inc.
Will Hardyman
1015 A Street
Tacoma, WA 98402

Location Address:
PeopleReady #21245
1640 Hickory Ave. Suite E
Harahan, LA 70123

Electrical Notes: All electrical components to be UL approved Customer is responsible for one (1) 120v/20a dedicated circuit with ground per sign within 6' of sign Lock out switch installed at panel box for all electrical signs Install in accordance with N.E.C. article 600 and/or local codes. This includes proper grounding and bonding of signs

File Name:
29952_Harahan.pdf
Project Number: 29952



ILLUMINATION RENDERING

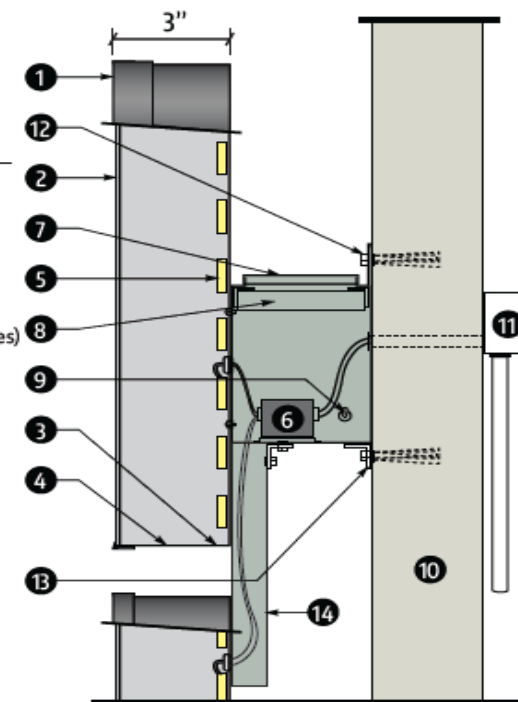


Channel Letters (Raceway Mounted)	Y	Y1	Y2	Y3	X	X1	X2	X3	Total Square Feet
PR-RWT-18	18	13	12.3	4.1	88.5	13	70.5	44.5	11
PR-RWT-22	22	15.8	15	5	108.1	15.8	86.1	54.3	16.5
PR-RWT-26	26	18.7	17.7	6	127.7	18.7	101.8	64.2	23.1
PR-RWT-30	30	21.6	20.4	6.8	147.4	21.6	117.4	74.1	30.7
PR-RWT-36	36	25.9	24.5	8.2	176.9	25.9	141	89	44.2
PR-RWT-40	40	28.7	27.25	9.1	196.5	28.7	156.6	98.8	54.6
PR-RWT-48	48	34.5	32.7	11	235.8	34.5	188	118.6	78.6

CROSS SECTION OF UL LISTED RACEWAY CHANNEL LETTERS w/ LED ILLUMINATION

- ① 1" PLASTIC TRIM CAP
- ② 3/16 PLEXIGLAS FACE
- ③ .040 ALUMINUM RETURN (.063 BACK)
- ④ 1/4" DRAIN HOLES (Min. 2 per letter)
Raceway also has drainholes as needed
- ⑤ LED ILLUMINATION
- ⑥ LED POWER SUPPLY
- ⑦ 7"x4.5"x.040 ALUMINUM RACEWAY (Length varies)
Raceway has 2 lip at the top for hanging; paint to match wall background (raceway formed from one piece of aluminum)
- ⑧ 1"x1" INTERNAL WELDED ALUMINUM ANGLE continuous along the length of top (front & back) w/ angle cross supports spaced along length
- ⑨ TOGGLE DISCONNECT SWITCH
- ⑩ FACADE - WALL STRUCTURE (TBV)
- ⑪ EXISTING 120 VOLT SERVICE
- ⑫ MOUNTING HARDWARE (3/8"x5" Bolts)
- ⑬ ANGLE SHOE FOR ATTACHMENT AT BOTTOM
- ⑭ 1"x1" ALUM. TUBE RACEWAY EXTENSION

This sign is intended to be installed in accordance with the requirements of Article 600 of the National Electrical Code and/or other applicable local codes. This includes proper grounding and bonding of the sign.



Channel Letters - On Raceway: WITH TAG LINE

Scale: NTS

A

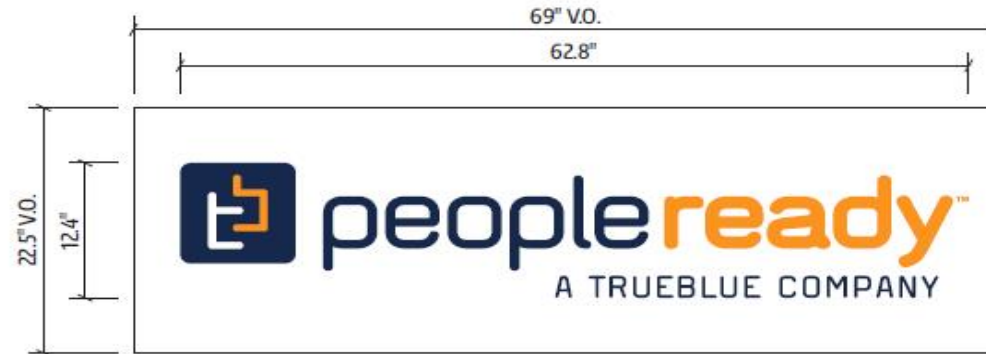


Proposed



Existing

FACE REPLACEMENTS ONLY



Client:
TrueBlue, Inc.
Will Hardyman
1015 A Street
Tacoma, WA 98402

Location Address:
PeopleReady #21245
1640 Hickory Ave. Suite E
Harahan, LA 70123

Description:
Tenant Panels
(5.4 sq ft ea.)

Qty: 2 (1 perside)

Provide digitally printed vinyl for black, acrylic tenant panels for D/F sign.

Color Key:
 PMS 3588 C
 PMS 2767 C
 White

Layout Date:
10/24/2022 - SK/AR

Revision Date:
11/03/2022 - RS/AR

D Tenant Panels

Scale: 3/8" = 1'-0"



1100 Berkshire Blvd. Suite 200, Wyomissing, PA | (Toll Free): 844.460.6631 | (Fax): 610.478.1332 | www.egansign.com

This design/engineering proposal will remain the exclusive property of Egan Sign until approved and accepted through purchase by client named directly on drawing and may not be duplicated by other parties or design fee will apply @ \$95 per hour.

Sign Management Made Simple

File Name:
29952_Harahan.pdf
Project Number: 29952