



Store #082  
4301 South Main Street  
La Place, LA 70068

Permit Drawing  
10.25.19  
0.1



## SITE LAYOUT | AERIAL VIEW



- A Mid Rise System
- B Building Branding

**Face Change Only - No Engineering Required.**

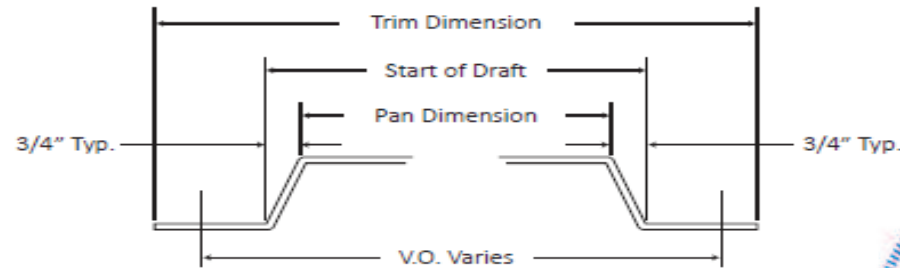


A2 Replace Flex faces with NEW image.

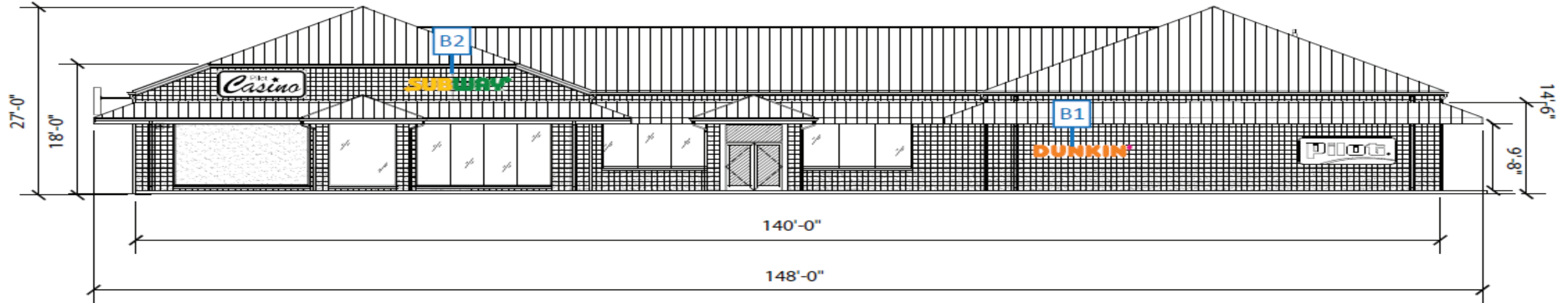
**Vacuum Formed Face w/Cabinet**

Sign Body to be Constructed out of 10" Stackable Extruded Aluminum Frame  
 One Side to be Hingable for Service  
 Cabinets and Retainers to be Painted Semi-Gloss Black  
 Sign to illuminate with 5000K Color Temperature LED modules, Spaced typical 3 per Ft. on 6" Centers.  
 Powered with Multi Tap Power Supplies  
 Faces to be Vacuum Formed out of 3/16" Solar Grade Polycarbonate  
 Second surface applied graphics to be Printed for Back Lit application (preferred Color/White/Color Process) on 3M U3650-114 Clear Vinyl with 3M 8519 Luster Overlamine

?? Sq. Ft. | Boxed Measured

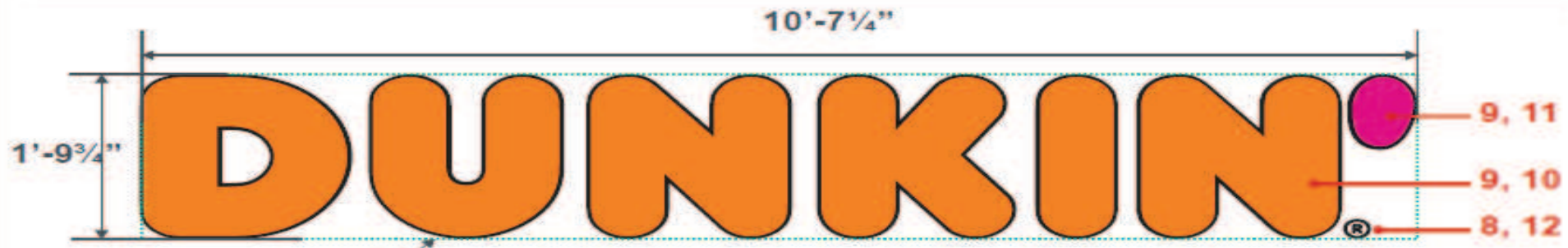


- B1 Remove existing Pilot Sign & install NEW SF Dunkin channel letter set
- B2 NEW SF Subway channel letter set on raceway.

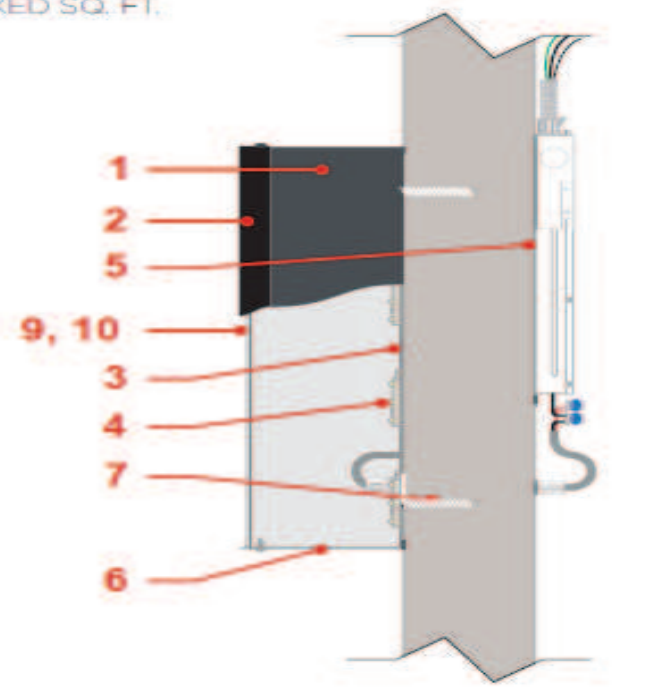


BUILDING BRANDING | DUNKIN' CHANNEL LETTER SET

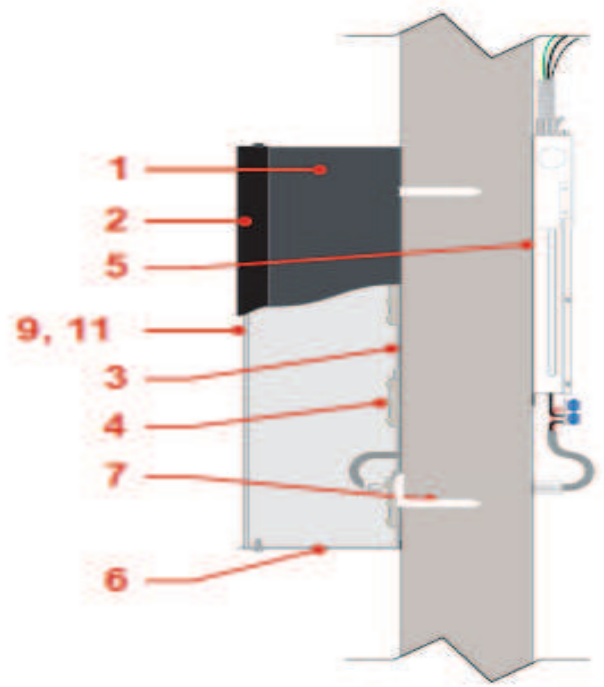
\*This sign is to withstand 130mph wind load.  
 \*This sign will contain a UL label.  
 \*This sign will be installed using 3/8" thru-bolts or appropriate sized fasteners as necessary.



19.22 BOXED SQ. FT.



"DUNKIN" CROSS SECTION



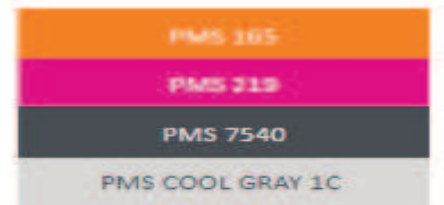
APOSTROPHE (') CROSS SECTION

B1 Remove existing Pilot Sign & install NEW SF Dunkin channel letter set

1. .05" x 5" Aluminum returns painted to match PMS 7540
2. 1" Black trim cap
3. .063" Aluminum backs
4. GE Tetra MAX 7100K White LED's (or GE replacement equivalent)
5. Remote power supplies as required
6. Drain holes as required
7. Mounting Hardware as determined by site conditions
8. .063" Aluminum disk painted white
9. 1/8" 2447 white acrylic face
10. 3M 3630-3123 Orange translucent film 1st surface
11. 3M 3630-1379 Magenta translucent film 1st surface
12. 3M 7725-41 Gray translucent film 1st surface

NOTES:  
 Channel letter interiors painted reflective white  
 U.L. Listed

\* LED's to be populated for even & consistent lighting without hot spots or shadows

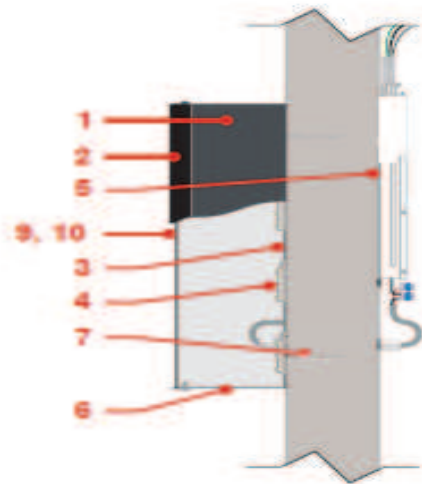
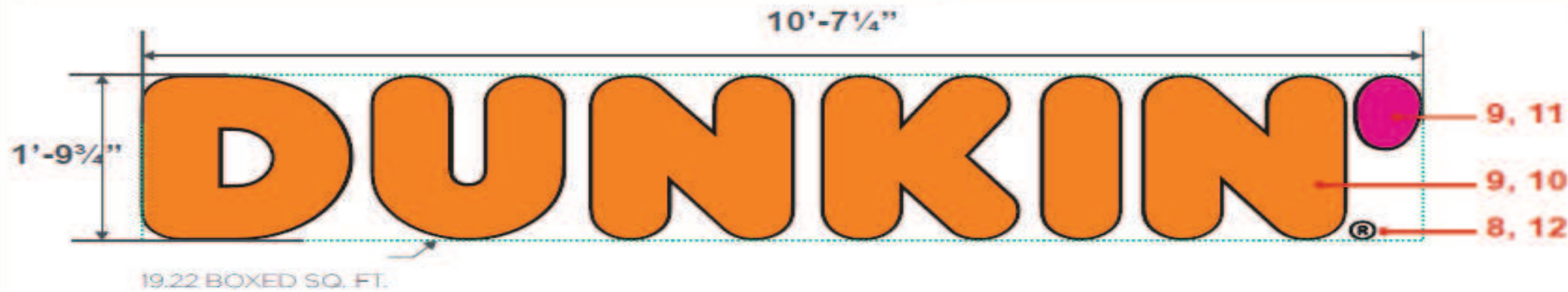


**DAMMON**  
 ENGINEERING, INC.  
 L O U I S I A N A M I S S I S S I P P I  
 601.938.8888 www.dammonengineering.com

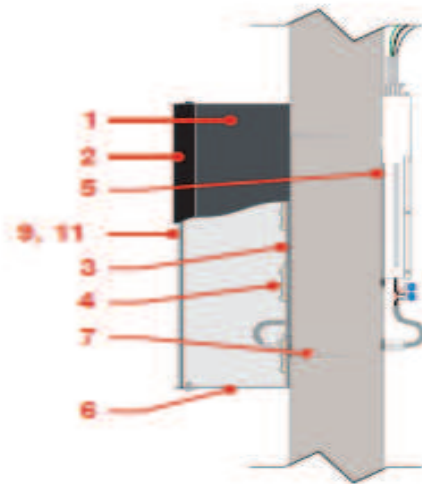


BUILDING BRANDING | DUNKIN' CHANNEL LETTER SET

\*This sign is to withstand 130mph wind load.  
 \*This sign will contain a UL label.  
 \*This sign will be installed using 3/8" thru-bolts or appropriate sized fasteners as necessary.



"DUNKIN" CROSS SECTION



APOSTROPHE (') CROSS SECTION

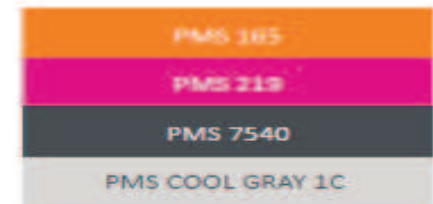
NOTE: DUNKIN' to be flush mounted directly to wall.  
 Mounting pattern to be supplied.  
 Use appropriate hardware from fastener schedule for substrate.

B1 Remove existing Pilot Sign & install NEW SF Dunkin channel letter set

1. .05" x 5" Aluminum returns painted to match PMS 7540
2. 1" Black trim cap
3. .063" Aluminum backs
4. GE Tetra MAX 7100K White LED's (or GE replacement equivalent)
5. Remote power supplies as required
6. Drain holes as required
7. Mounting Hardware as determined by site conditions
8. .063" Aluminum disk painted white
9. 1/8" 2447 white acrylic face
10. 3M 3630-3128 Orange translucent film 1st surface
11. 3M 3630-1379 Magenta translucent film 1st surface
12. 3M 7725-41 Gray translucent film 1st surface

NOTES:  
 Channel letter interiors painted reflective white  
 U.L. Listed

\* LED's to be populated for even & consistent lighting without hot spots or shadows



**DAMMON**  
 ENGINEERING, INC.  
 LOUISIANA & MISSISSIPPI  
 2018 LOCATIONS: 201-547-8332 FAX: 201-547-1000  
 www.dammonengineering.com  
 info@dammonengineering.com

Colors and textures are for representational purposes only.  
 Copyright © Integrated Image 2019.  
 All Rights Reserved. No part of this drawing may be reproduced without Integrated Image's express consent.



\*This sign is to withstand 130mph wind load.  
 \*This sign will contain a UL label.  
 \*This sign will be installed using 3/8" thru-bolts or appropriate sized fasteners as necessary.



3/8" = 1'-0"

21.31 BOXED SQ. FT.

B2 NEW SF Subway channel letter set on raceway.

**27 3/4" LED Channel Letter Set  
 Yellow/Green**

**Specifications (SUB):**

- 5" Deep Letter
- Agilight Pro260-50K LED Modules
- Aluminum returns factory paint sprayed  
 Pantone 7548 Yellow
- 7828 White Acrylic Face w/factory paint sprayed Pantone  
 7548 Yellow Trim Cap
- 3630-75 Yellow vinyl w/3M 3660M Over Laminate

**Specifications (WAY):**

- 5" Deep Letter
- Agilight ProCLR-GRN-285 Green LED Modules
- Aluminum returns factory paint sprayed  
 Pantone 2426 Green
- 7828 White Acrylic Face w/factory paint sprayed Pantone  
 2426 Green Trim Cap
- 3630-156 Vivid Green vinyl w/3M 3660M Over Laminate

**Specifications (®):**

- 3630-150 Vivid Green vinyl decal on clear polycarbonate  
 placard attached to "Y" letter back

31.35 Sq. Ft. | Boxed Measured

<b>C1</b>	Pantone 7548 C	<b>C3</b>	Pantone 2426
<b>C2</b>	3M Trans 3630-75 Yellow	<b>C4</b>	3M Trans 3630-156 Vivid Green



**DAMMON**  
 ENGINEERING, INC.  
LOUISIANA • MISSISSIPPI

Colors and features are for representational purposes only.  
 Copyright © Integrated Image 2019.  
 All Rights Reserved. No part of this drawing may be reproduced  
 without Integrated Image's express consent.

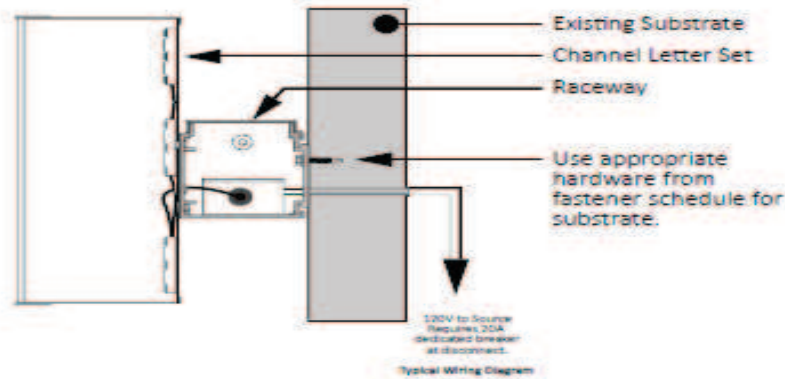


\*This sign is to withstand 130mph wind load.  
 \*This sign will contain a UL label.  
 \*This sign will be installed using 3/8" thru-bolts or appropriate sized fasteners as necessary.



1/4" = 1'-0"

21.31 BOXED SQ. FT.



NOTE: SUBWAY comes pre-assembled to raceway with pop-rivets. Mounting tabs are fabricated to the raceway for easy mounting. Use appropriate hardware from fastener schedule for substrate.

B2 NEW SF Subway channel letter set on raceway.

**27 3/4" LED Channel Letter Set: Yellow/Green**

**Specifications (SUB):**

- 5" Deep Letter
- Agilight Pro260-50K LED Modules
- Aluminum returns factory paint sprayed  
 Pantone 7548 Yellow
- 7328 White Acrylic Face w/factory paint sprayed Pantone 7548 Yellow Trim Cap
- 3630-75 Yellow vinyl w/3M 3660M Over Laminate

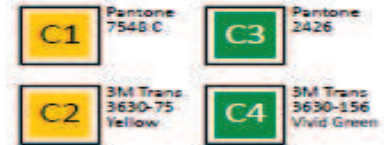
**Specifications (WAY):**

- 5" Deep Letter
- Agilight ProCLR-GRN-285 Green LED Modules
- Aluminum returns factory paint sprayed  
 Pantone 2426 Green
- 7328 White Acrylic Face w/factory paint sprayed Pantone 2426 Green Trim Cap
- 3630-156 Vivid Green vinyl w/3M 3660M Over Laminate

**Specifications (®):**

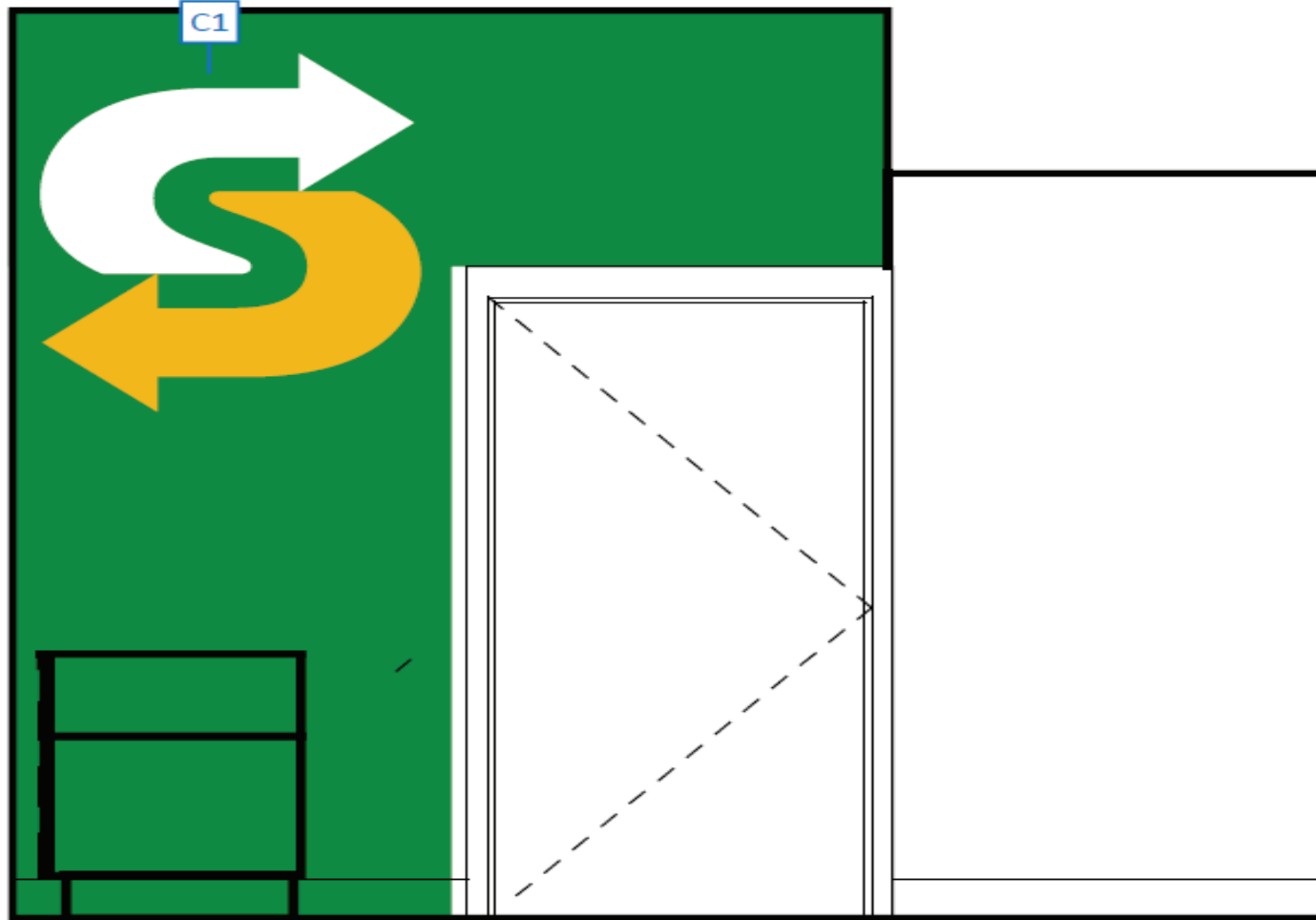
- 3630-150 Vivid Green vinyl decal on clear polycarbonate placard attached to "Y" letter back

31.35 Sq. Ft. | Boxed Measured



**DAMMON**  
 ENGINEERING, INC.  
 LOUISIANA MISSISSIPPI  
 70001-0001 70001-0001  
 www.dammonengineering.com

Interior Sign - No Engineering Required



C1 NEW SF "S" by Pilot. Installation only.



**DAMMON**  
ENGINEERING, INC.  
LOUISIANA & MISSISSIPPI  
31811 LITTLE ROCK, LOUISIANA 70007-0001  
PH: 504-885-0050 FAX: 504-881-0850  
www.dammonengineering.com  
info@dammonengineering.com

