

MASONRY NOTES

- MASONRY CONSTRUCTION SHALL CONFORM TO ACI BUILDING CODE REQUIREMENTS FOR CONCRETE MASONRY STRUCTURES (ACI 530-99/ASCE 6-95/TMS 602-95) ASTM C476, ASTM C1019, AND NCMA TEK 107.
- CONCRETE BLOCKS SHALL CONFORM TO ASTM C-90, (FM = 1500 PSI) (1900 PSI ON THE NET AREA)
- MORTAR SHALL COMPLY WITH ASTM C270, TYPE M (COMPRESSIVE STRENGTH = 2500 PSI SITE TESTED MORTAR CUBES SHALL ACHIEVE A MINIMUM OF 80% OF THE DESIGN COMPRESSIVE STRENGTH)
- BLOCK SHALL NOT BE MOISTENED BEFORE GROUTING.
- ALL MASONRY CROSS WEBS SHALL BE FULLY BEDDED IN MORTAR AROUND CELLS TO BE GROUTED
- VERTICAL REINFORCING MUST BE CENTERED IN THE CAVITY AND SHALL HAVE A MINIMUM CLEARANCE OF 1/2" TO INSIDE FACE. VERTICAL BAR LAP = 48 X BAR DIAMETER U.N.O.. SEE GROUTING DETAIL NOTE FOR CLEANOUT REQUIREMENTS.
- GROUT PLACEMENT STOPPED FOR (1) HOUR OR MORE SHOULD BE STOPPED 1 1/2" BELOW THE TOP OF THE MASONRY UNIT TO PROVIDE A KEY FOR SUBSEQUENT GROUTING
- SEE FOUNDATION PLANS AND WALL SCHEDULE FOR ALL VERTICAL REINFORCING.
- TEMPORARY BRACING AND SHORING OF PIERS DURING CONSTRUCTION TO BE THE RESPONSIBILITY OF THE CONTRACTOR.
- MASONRY CONSTRUCTION MATERIALS AND INSPECTIONS SHALL CONFORM TO ALL REQUIREMENTS OF "SPECIFICATIONS FOR MASONRY STRUCTURES (ACI-ASCE 530.1)" EXCEPT AS MODIFIED BY THE REQUIREMENTS OF THESE DOCUMENTS.
- DO NOT APPLY CONCENTRATED LOADS TO MASONRY WALLS FOR AT LEAST (3) DAYS.
- CONTRACTOR SHALL PROVIDE MOISTURE PROTECTION OF PIER DURING INCLEMENT WEATHER.
- DO NOT GROUT UNTIL MORTAR HAS SET SUFFICIENTLY TO WITHSTAND THE PRESSURE OF THE GROUT. WAIT NOT LESS THAN 24 HOURS.
- WAIT A MINIMUM OF 40 MINUTES BEFORE PLACING NEW GROUT ON A PREVIOUS LIFT.
- MAXIMUM WALL HEIGHT FROM TOP OF PREVIOUS GROUT POURS LAID UP AT ONE TIME SHALL BE 12'-0".
- THE MINIMUM CONTINUOUS UNOBSTRUCTED CLEAR AREA IN CELL TO RECEIVE GROUT MUST BE NOT LESS THAN 3'X3". MORTAR FINS MUST BE REMOVED AS BLOCKS PLACEMENT PROCEEDS. MORTAR DROPPINGS MUST BE KEPT OUT OF CELLS WHICH ARE TO BE GROUTED.

LEGEND

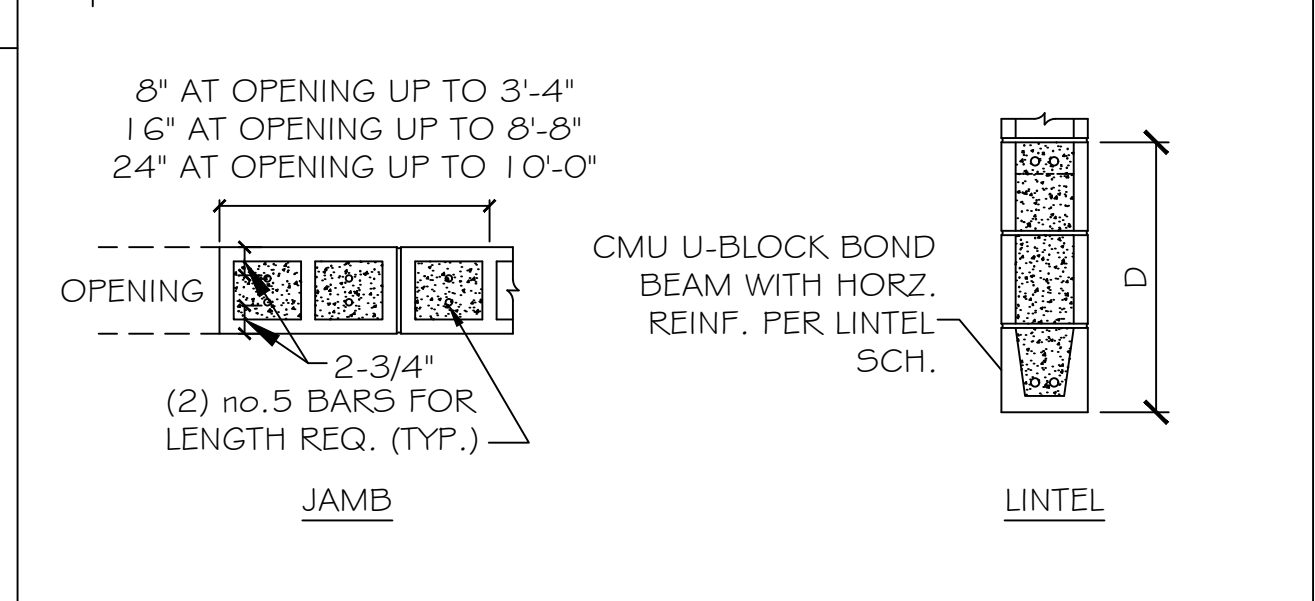
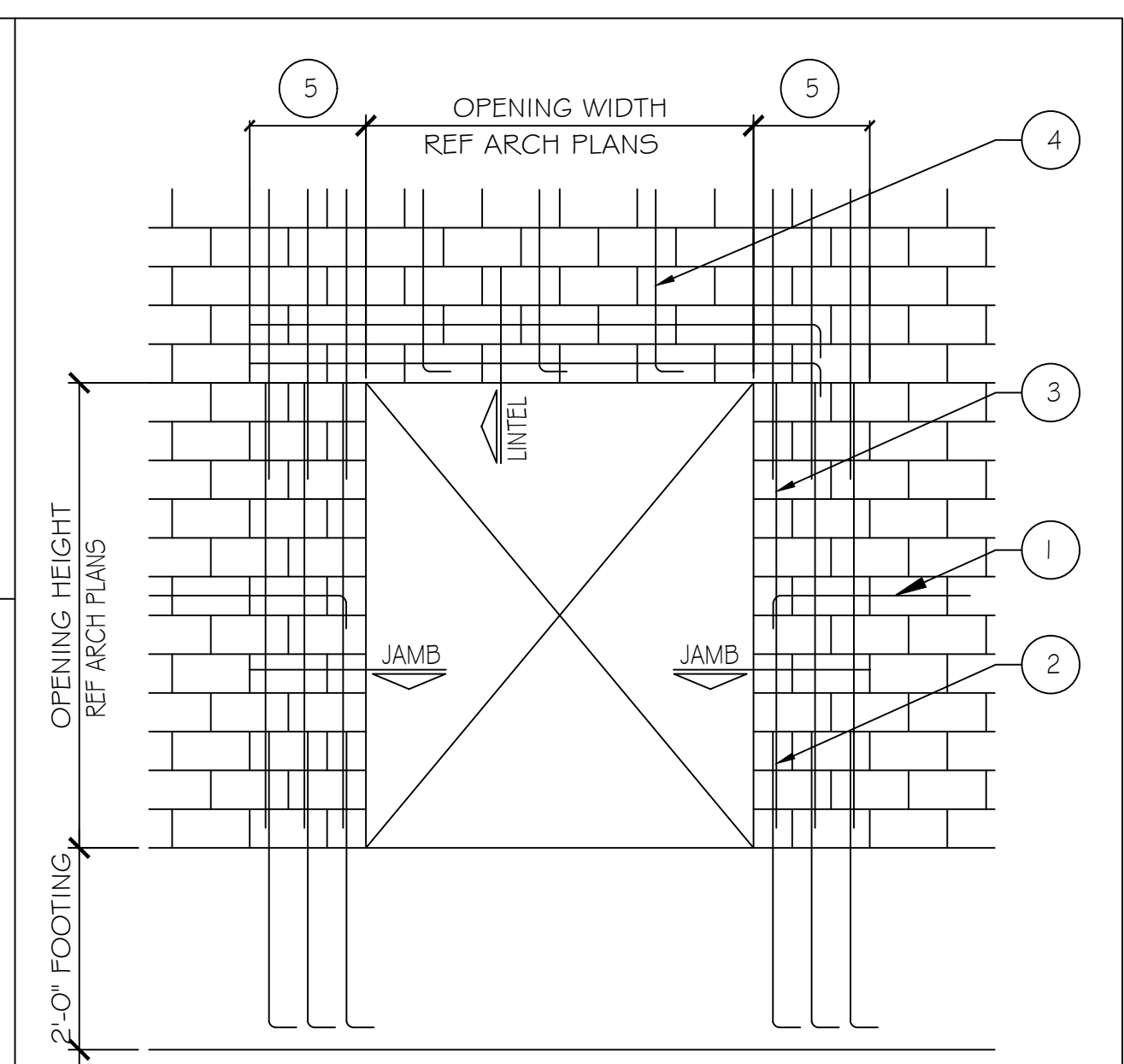
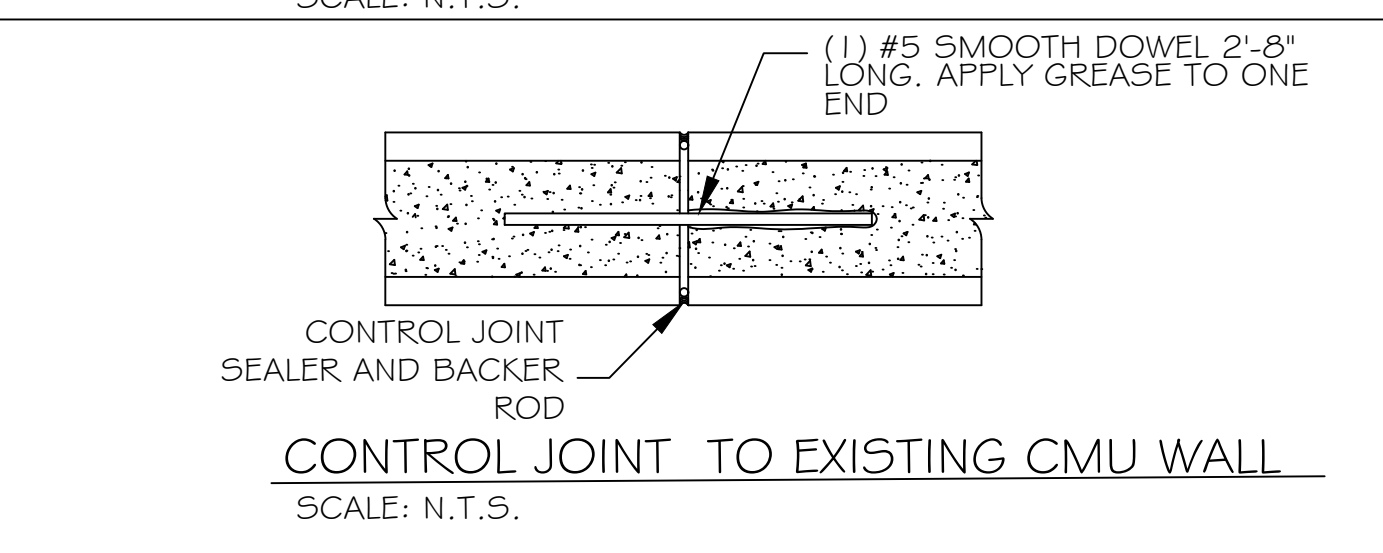
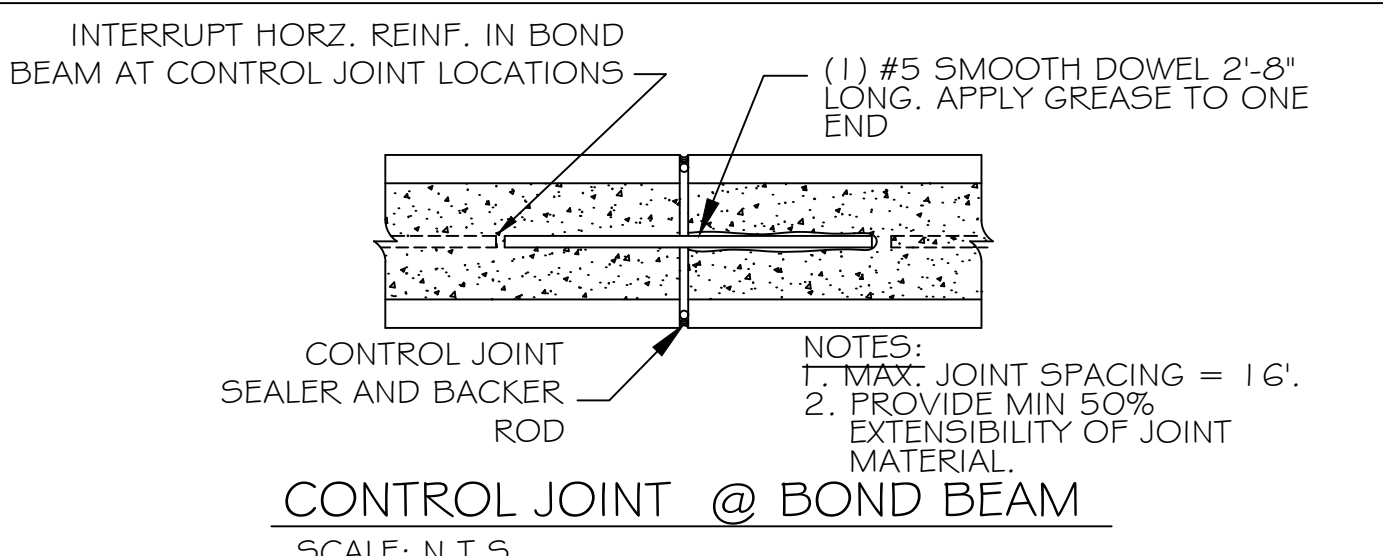
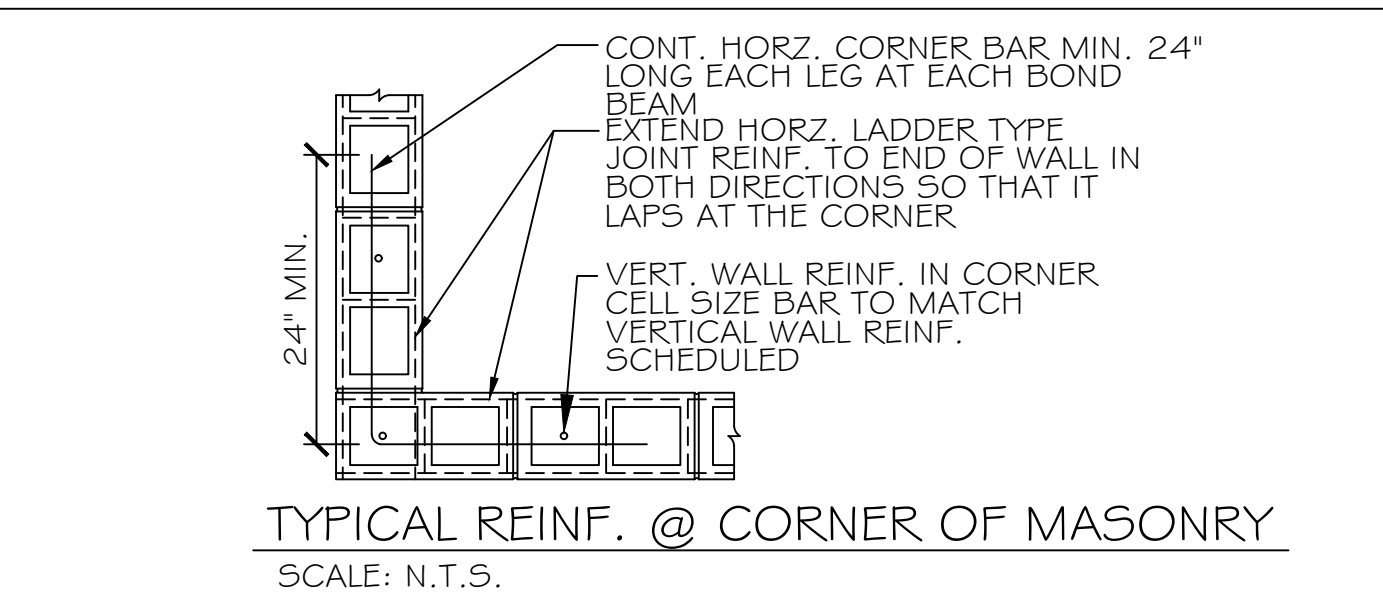
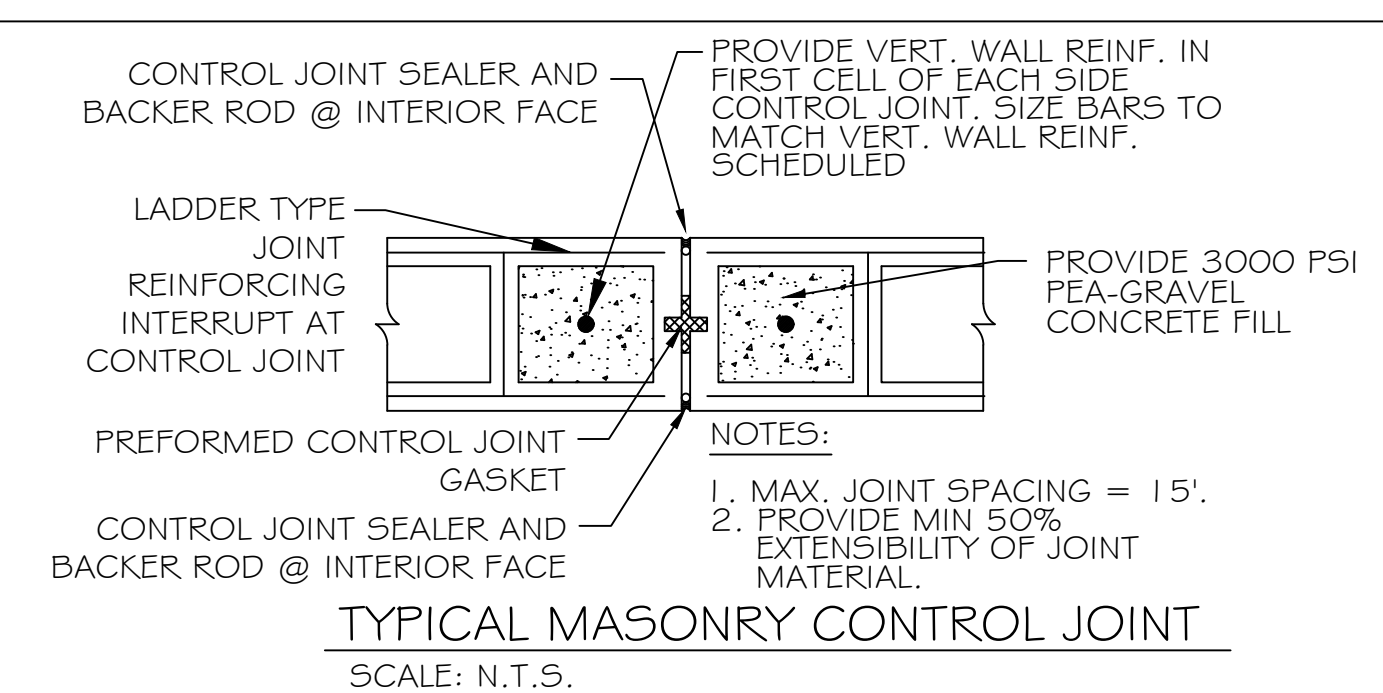
INDICATES CONTINUOUS NO. 5 VERTICAL REINF. W/ 3000 PSI CONCRETE FILL.

INDICATES MASONRY CONTROL JOINT. SEE DETAIL THIS SHEET

CMU LINTEL SCHEDULE

WIDTH (W)	CLEAR SPAN	DEPTH (D)	HORZ. REINF.
8" TYP AT ALL CMU WALLS	UP TO 3'-4"	8"	(1) #6 BOTTOM
	UP TO 6'-4"	16"	(1) #6 T&B
	UP TO 14'-0"	24"	(2) #6 T&B

PROVIDE 3000 PSI PEA-GRAVEL CONCRETE FILL FOR ALL LINTELS.



- NOTES:**
- WHERE HORZ. REINFORCEMENT IS INTERRUPTED BY OPENING OR CONTROL JOINT PROVIDE STANDARD ACI HOOK WITH VERT. WALL REINF. AT END CELL.
 - SPLICES IN VERT. REINF. REF. WALL SECTIONS S-3.
 - ALL VERT. BARS AT DOOR JAMBS TO BE FULL HEIGHT.
 - CONTINUE VERT. WALL REINF. OVER OPENING. ANCHOR VERT. REINF. INTO LINTEL BEAM WITH STANDARD ACI HOOK.
 - EXTEND LINTEL A MIN. 2'-0" BEYOND FACE OF OPENING EACH SIDE FOR STRAIGHT LINTEL REINF. AND 1'-0" FOR LINTEL REINF. WITH STANDARD ACI HOOK.
- TYPICAL MASONRY WALL OPENING DIAGRAM**
SCALE: N.T.S.

DAMMON ENGINEERING, INC.
LOUISIANA & MISSISSIPPI

Chief Engineer: Brian Watch, PE
554 Old Spanish Trail
Sibley, LA 70468
www.dammonengineering.com
info@dammonengineering.com
PH: 985.649.5832 F: 985.641.9590

REVISIONS

#	DESCRIPTION	DATE

DATE: 09-30-2025
DRAWN BY: BAW
CHECKED BY: C&D

THE SIXTH URBAN RESISTION BRAND

JOB No: 2470
DATE: 09-30-2025
928 FELICITY STREET
NEW ORLEANS, LA 70130

SHEET TITLE: CMU PLAN
DRAWING NUMBER: S102
SHEET No: 2 of 14