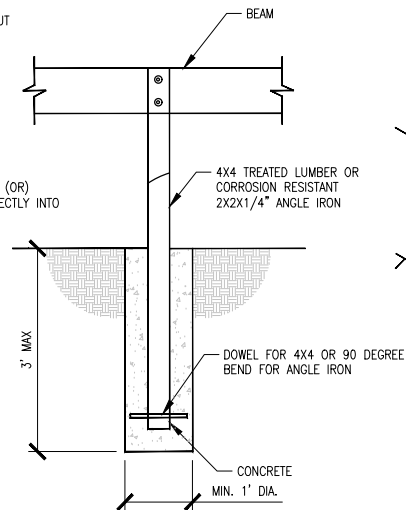
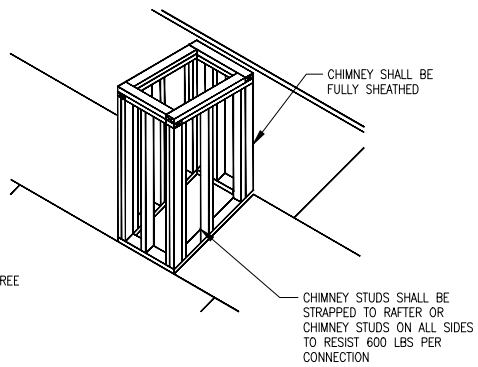


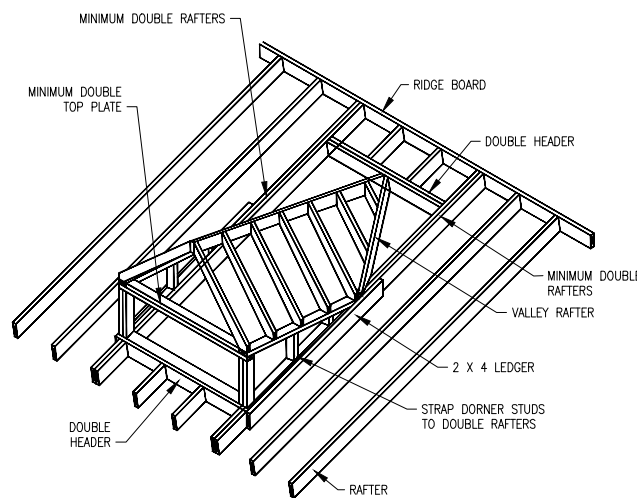
DETAIL 18
HOLLOW COLUMN TIE DOWN DETAIL



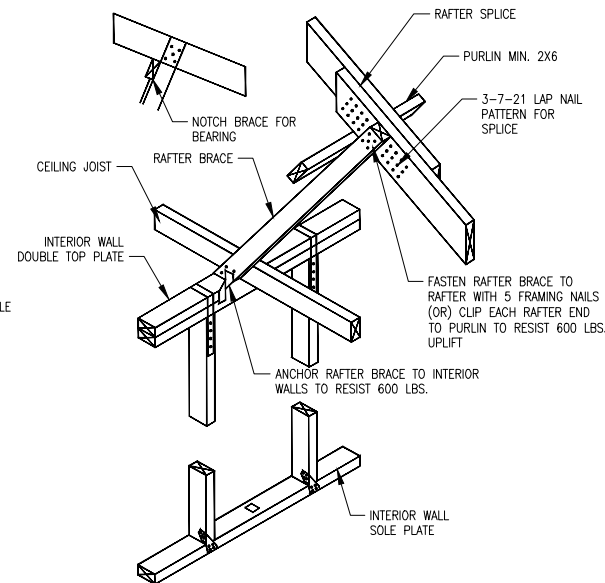
DETAIL 19
EMBEDMENT POST DETAIL UPLIFT



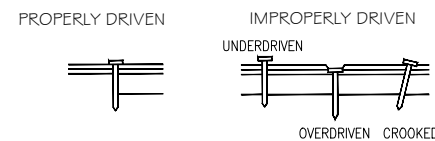
DETAIL 20
CHIMNEY ANCHORAGE



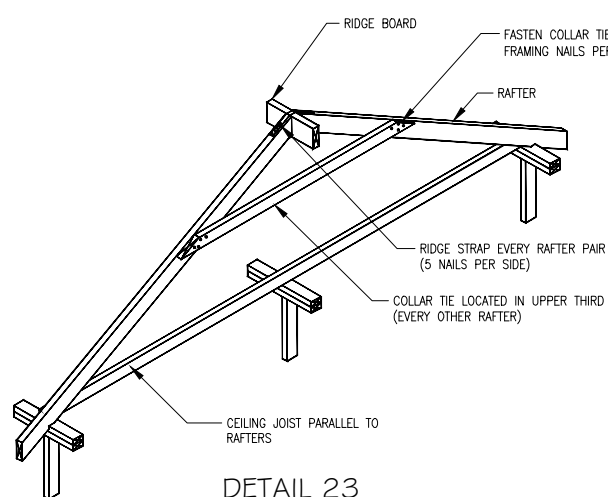
DETAIL 21
DORMER FRAMING



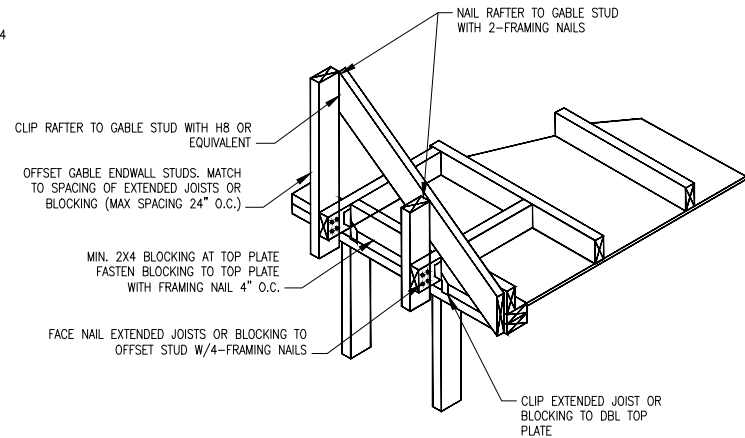
DETAIL 22
RAFTER BRACING AND 3-7-21 NAIL PATTERN



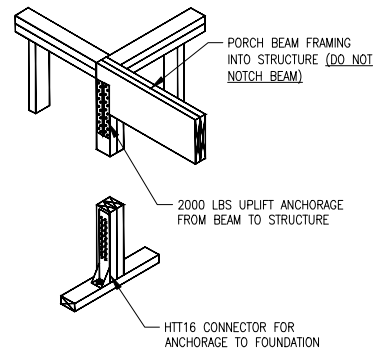
DETAIL 26
FASTENER PENETRATION REQUIREMENTS



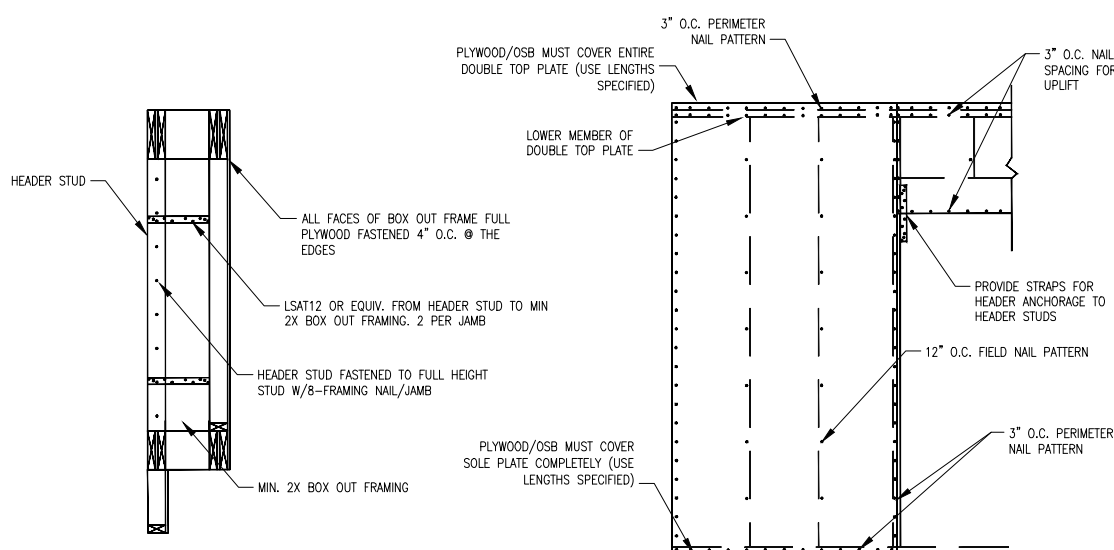
DETAIL 23
COLLAR TIES AND RAFTER TIES



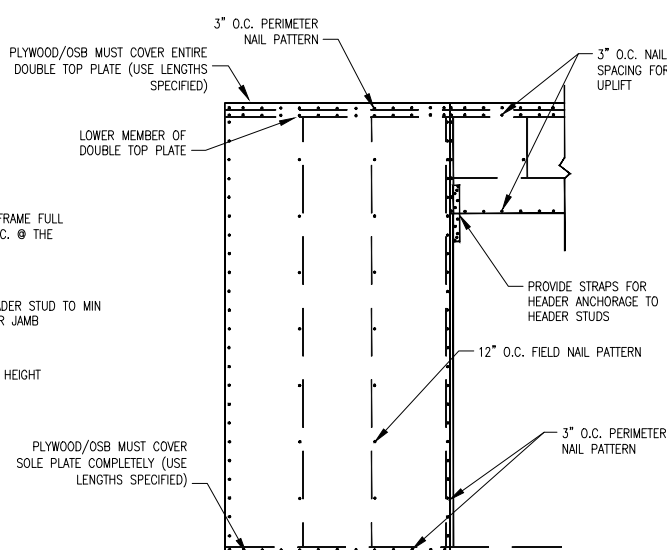
DETAIL 24
OFFSET GABLE ENDWALL CONSTRUCTION



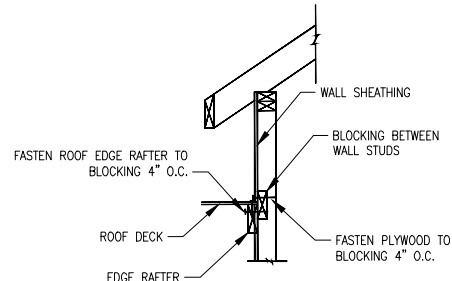
DETAIL 25
PORCH/OVERHANG BEAM ANCHORAGE
(CORNER/NON-CORNER LOCATIONS)



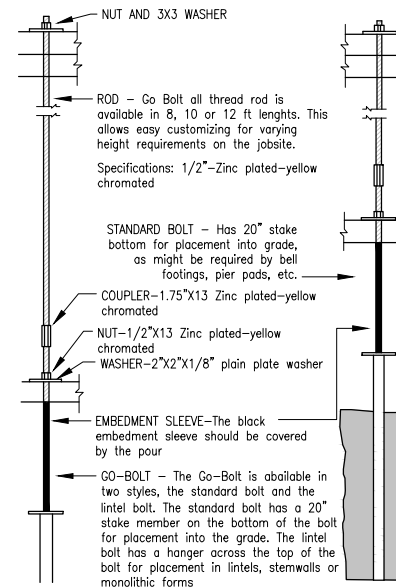
DETAIL 27
BOX OUT WINDOW ANCHORAGE



DETAIL 28
PLYWOOD USED FOR SHEAR AND UPLIFT
REQUIREMENTS (WHERE SPECIFIED BY TEMPLATE ONLY)



DETAIL 29
RAFTER TO WALL BLOCKING ATTACHMENT



DETAIL 30
GO BOLT ANCHOR DETAIL

Date	Remarks	App'd

Drafting Services:
RH Enterprises of Houma Inc.
rhentprnsesofhouma@yahoo.com

A RESIDENTIAL PLAN
FOR
Shane Lee Fauchaux

Date: 1/June/21	Designed:	D3 Sheet No.: 3 of 4
Scale: N.T.S.	Drawn: RJH	
Date:	Remarks:	App'd:

REVISIONS

Drawing File: shane.DWG