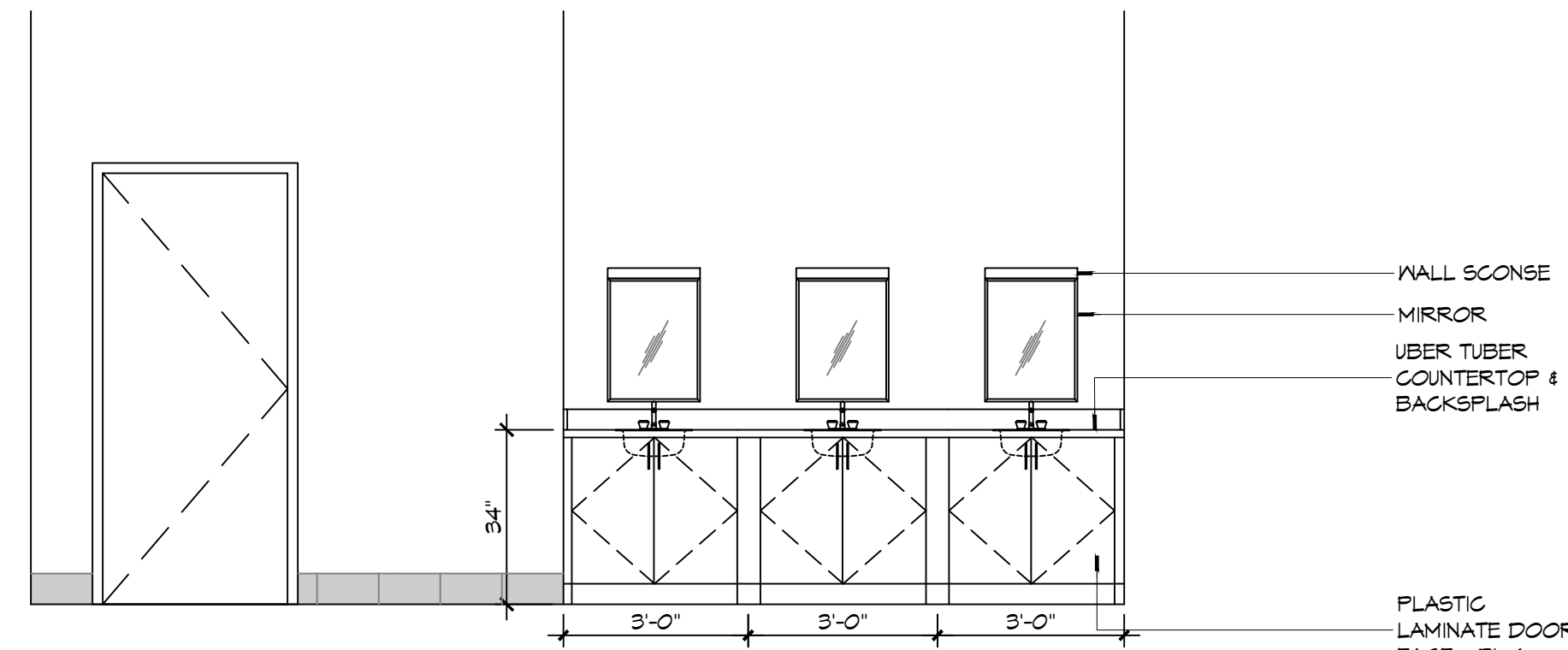
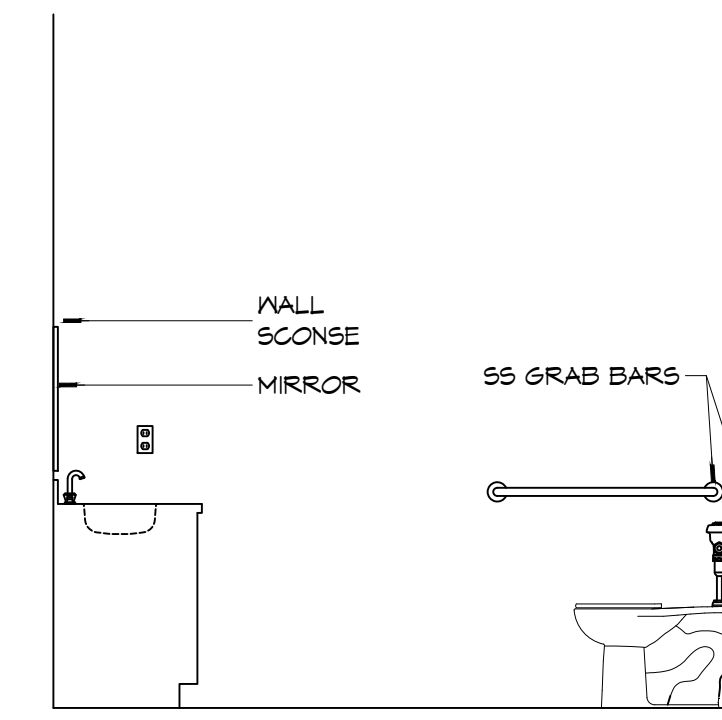


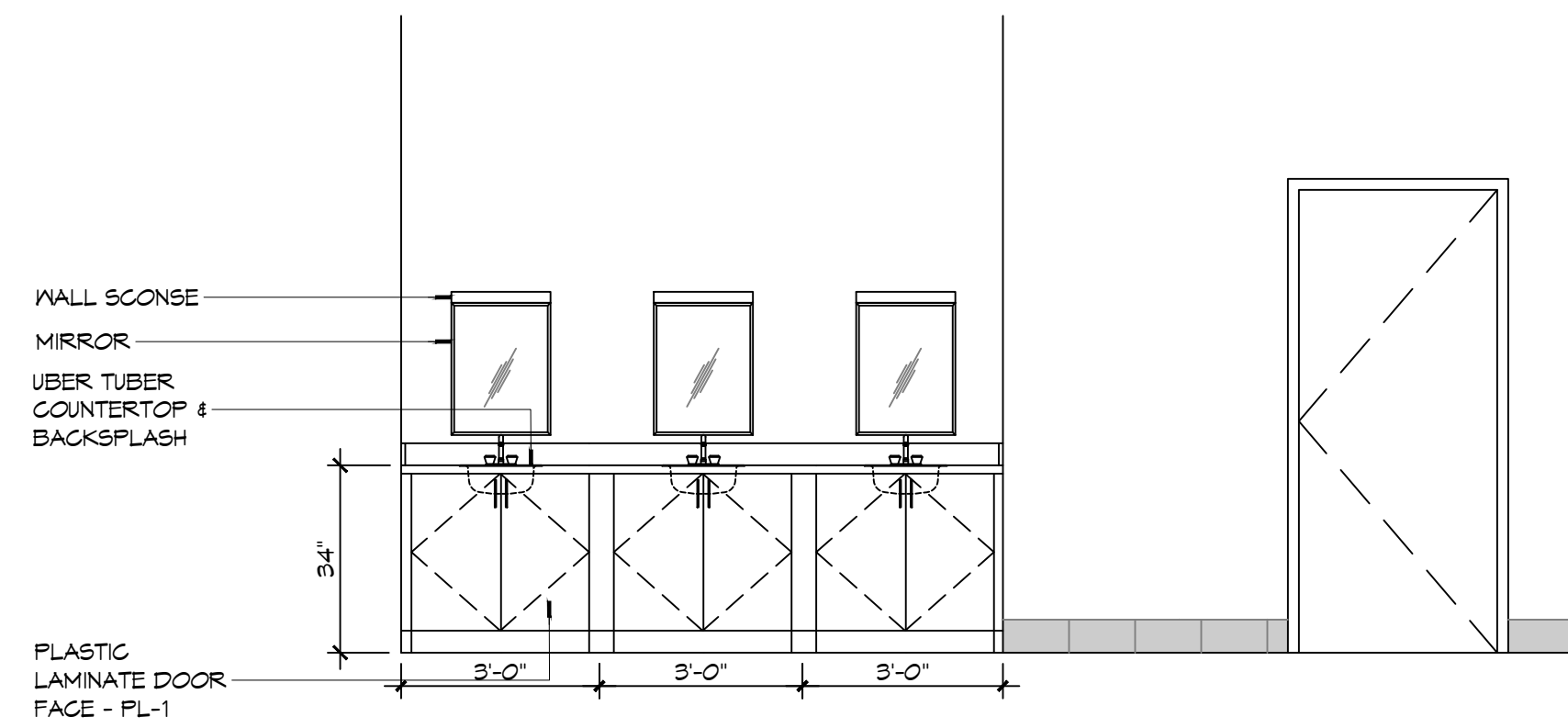
**A WOMENS RESTROOM WEST**  
 A107 | A107 SCALE: 3/8" = 1'-0" INTERIOR ELEVATION



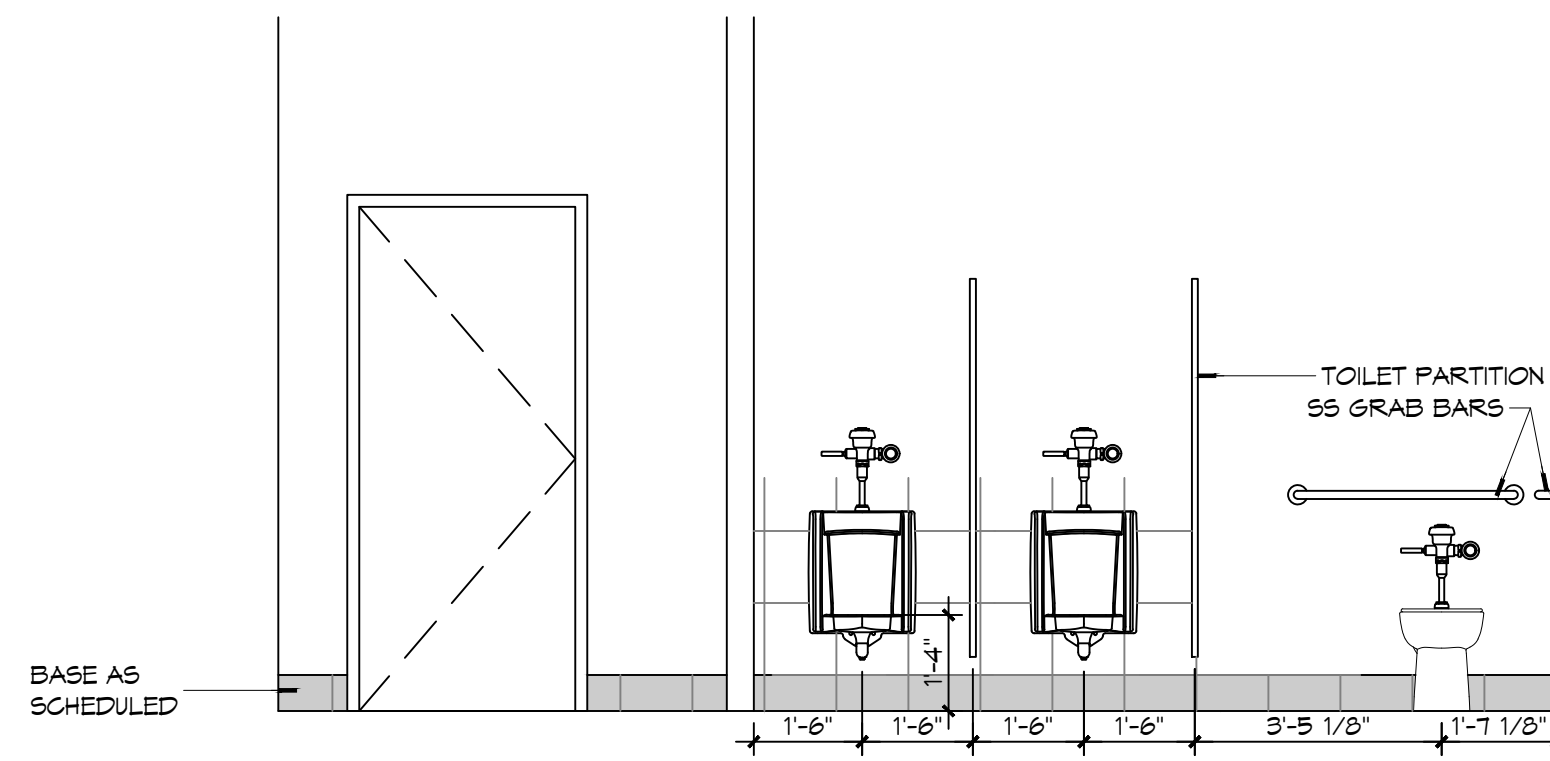
**B WOMENS RESTROOM EAST**  
 A107 | A107 SCALE: 3/8" = 1'-0" INTERIOR ELEVATION



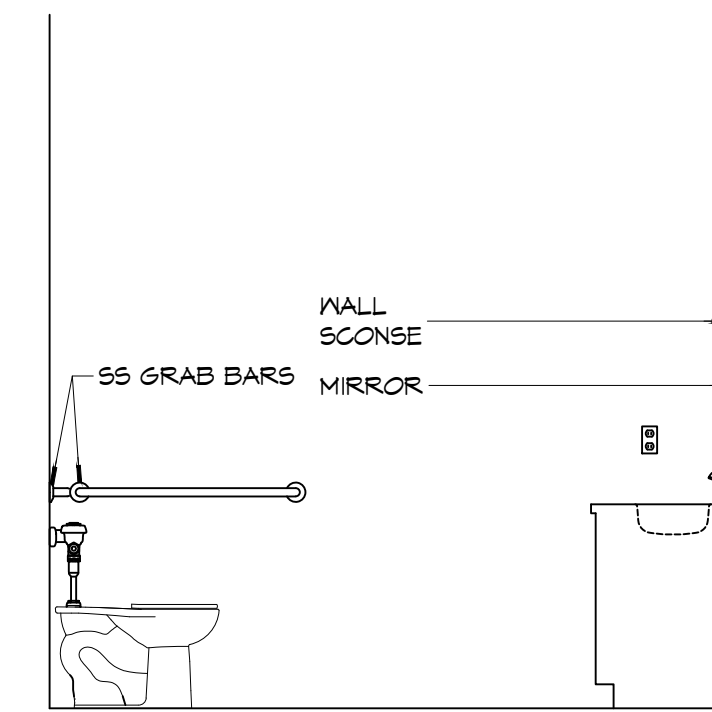
**E RESTROOM SOUTH**  
 A107 | A107 SCALE: 3/8" = 1'-0" INTERIOR ELEVATION



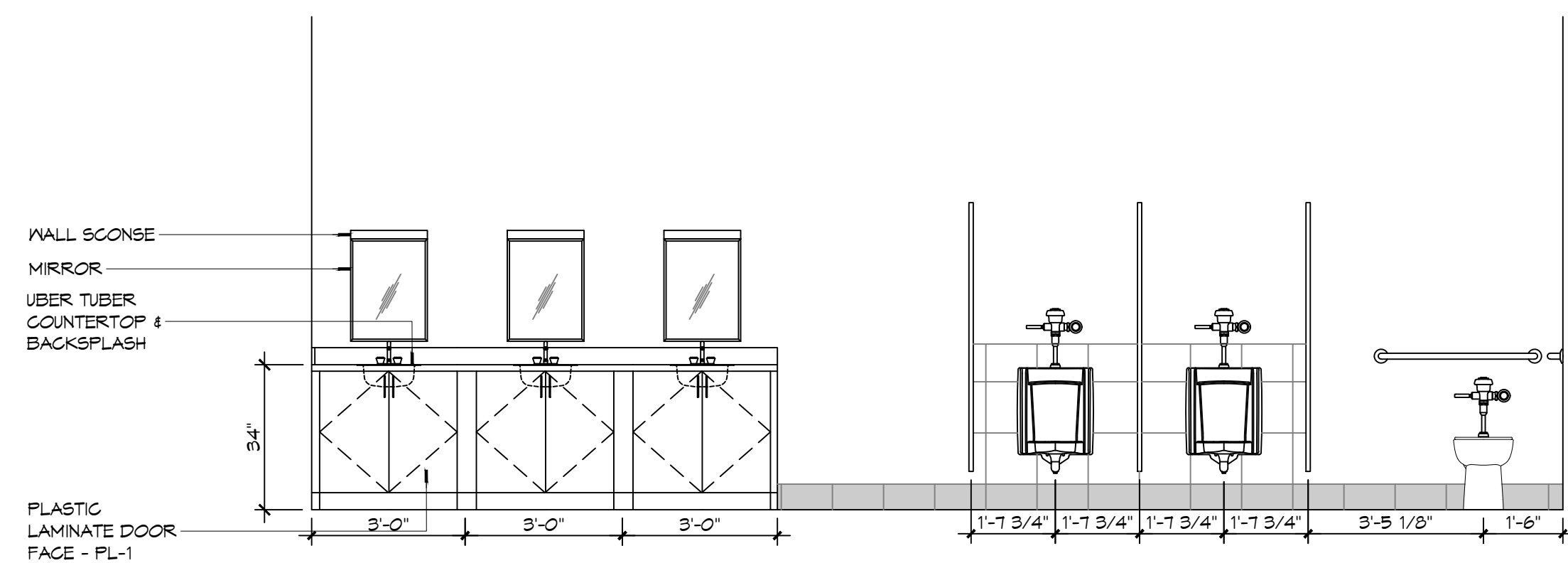
**C MENS RESTROOM WEST**  
 A107 | A107 SCALE: 3/8" = 1'-0" INTERIOR ELEVATION



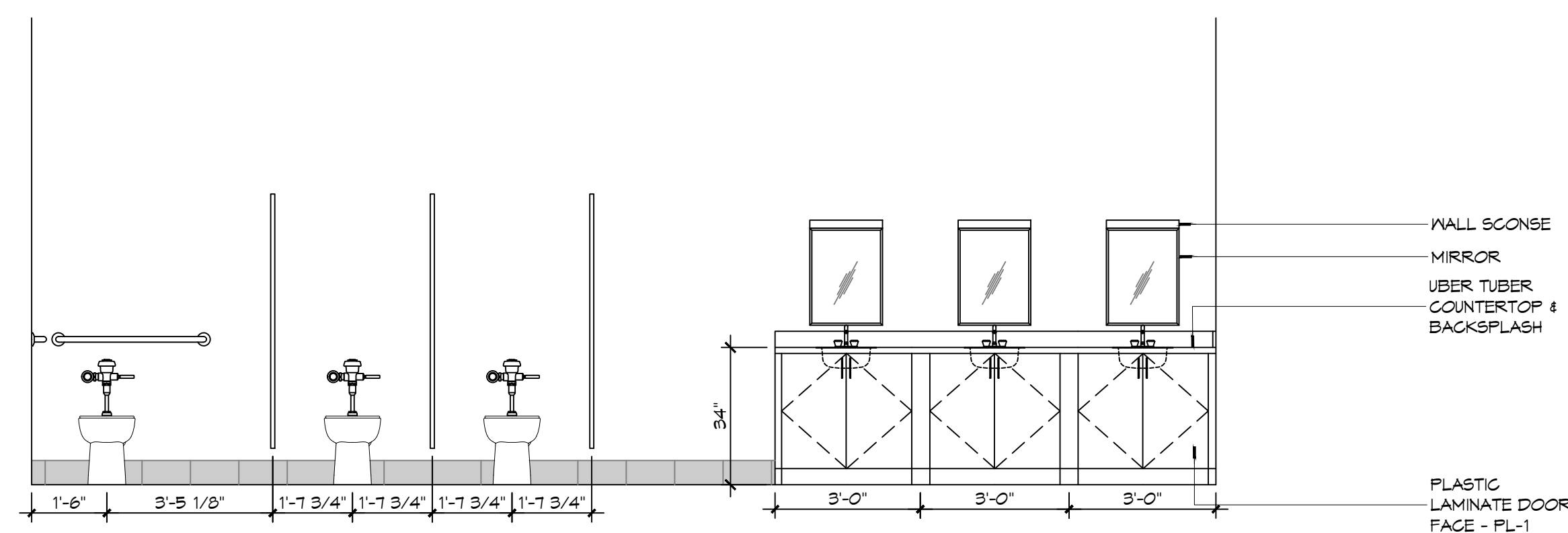
**D MENS RESTROOM EAST**  
 A107 | A107 SCALE: 3/8" = 1'-0" INTERIOR ELEVATION



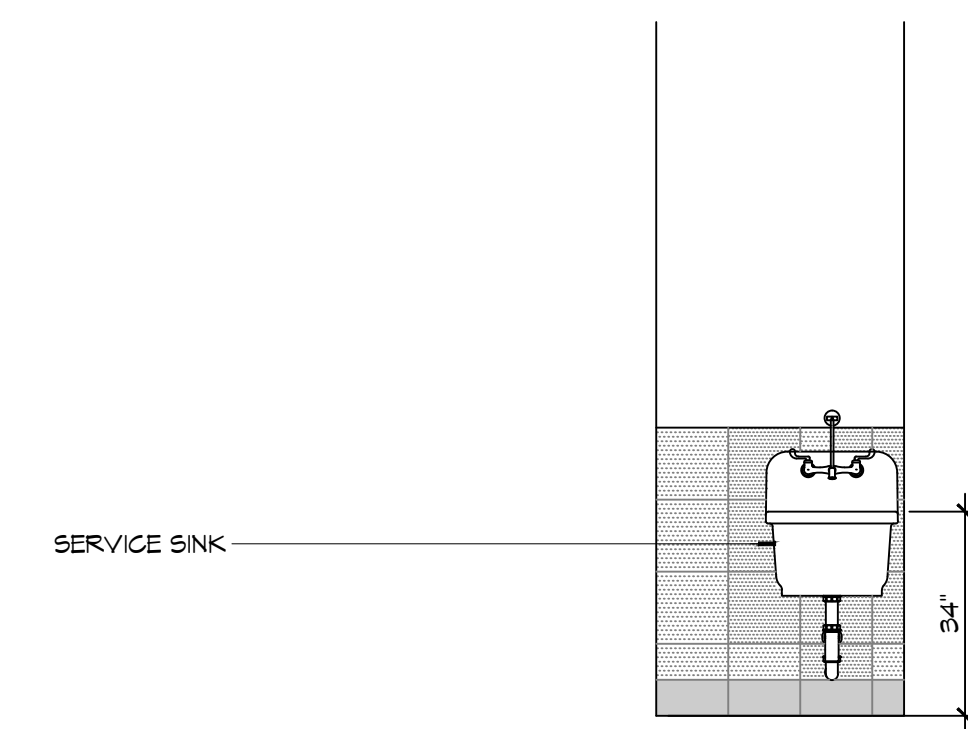
**F RESTROOM SOUTH**  
 A107 | A107 SCALE: 3/8" = 1'-0" INTERIOR ELEVATION



**G MENS RESTROOM SOUTH**  
 A107 | A107 SCALE: 3/8" = 1'-0" INTERIOR ELEVATION



**H WOMENS RESTROOM NORTH**  
 A107 | A107 SCALE: 3/8" = 1'-0" INTERIOR ELEVATION



**J UTILITY SOUTH**  
 A107 | A107 SCALE: 3/8" = 1'-0" INTERIOR ELEVATION

**ELEVATION NOTES**

- REFER TO SHEET G003 FOR TYPICAL MOUNTING HEIGHTS AND FLOOR CLEARANCE REQUIREMENTS WHERE NOT SHOWN ON THIS SHEET.
- NOT USED
- PROVIDE 1/8" R EASED EDGES AT ALL EXPOSED GRANITE COUNTERTOP AND BACKSPLASH EDGES UNLESS OTHERWISE NOTED.
- BLOCKING FOR CABINETS IS NOT SHOWN ON THESE DRAWINGS. THE GENERAL CONTRACTOR SHALL BE RESPONSIBLE FOR PROVIDING AND COORDINATING WALL BLOCKING FOR CABINETRY. WHERE WOOD BLOCKING IS PROHIBITED BY CODE PROVIDE GALVANIZED SHEET BLOCKING.
- PROVIDE 5/8" CEMENTITIOUS BACKERBOARD BEHIND ALL CERAMIC WALL TILE INSTALLATIONS. WHERE CERAMIC WALL TILE IS APPLIED TO A RATED WALL ASSEMBLY USE TYPE 'X' MOISTURE RESISTANT GYB.
- PROVIDE FULL FINISHED END PANELS ON ALL EXPOSED CASEWORK.
- PROVIDE FILLER PANEL WHERE CASEWORK MEETS WALL. SCRIBE AS NECESSARY TO ACHIEVE TIGHT FIT TO FINISH SURFACE.
- FIELD VERIFY (V/F) ALL DIMENSIONS PRIOR TO SHOP DRAWING SUBMITTAL.
- ELEC OUTLETS INSTALLED AT GRANITE BACK SPLASHES SHALL BE MOUNTED IN A HORIZONTAL ORIENTATION WITH SATIN STAINLESS STEEL PLATE.
- CLEARANCE REDUCTION SYSTEM SHALL COMPLY WITH NFPA 96 4.2.3.
- NOT USED
- SINKS SHOWN ON THESE DRAWINGS INDICATE LOCATIONS ONLY AND NOT ACTUAL SIZES. THE CONTRACTOR SHALL BE RESPONSIBLE FOR COORDINATING ACTUAL SIZES AND TYPES WITH PREFABRICATED CABINET DESIGNER.

**DAMMON ENGINEERING, INC.**  
 LOUISIANA & MISSISSIPPI  
 Chief Engineer: Brian Watch, PE  
 554 Old Spanish Trail  
 Slidell, LA 70468  
 www.dammonengineering.com  
 info@dammonengineering.com  
 PH: 985.649.5832 F: 985.641.9590

#	DESCRIPTION	DATE
1	Revised Millwork and Counter Tops	8/1/2022

REVISIONS

**POPE JOHN PAUL AUDITORIUM**  
 1901 JAGUAR DR  
 SLIDELL, LA 70461  
 JOB No: 2205 DATE: 10-22-2025  
 DRAWN BY: CKD CHECKED BY: CKD

SHEET TITLE:  
 INTERIOR ELEVATIONS  
 PLAN

DRAWING NUMBER:  
**A107**