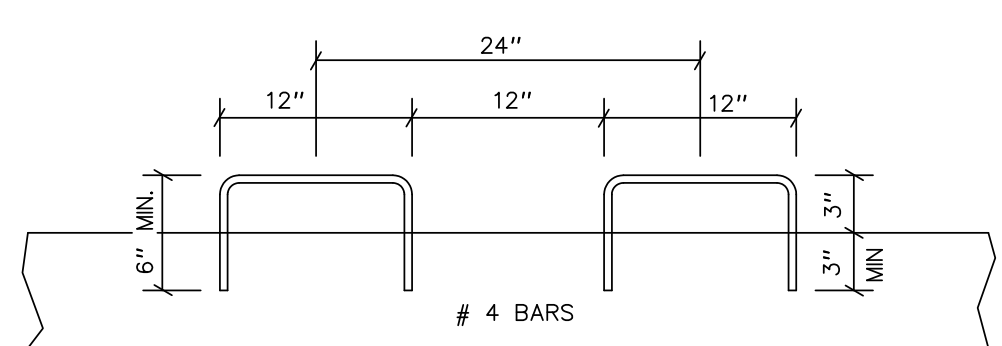
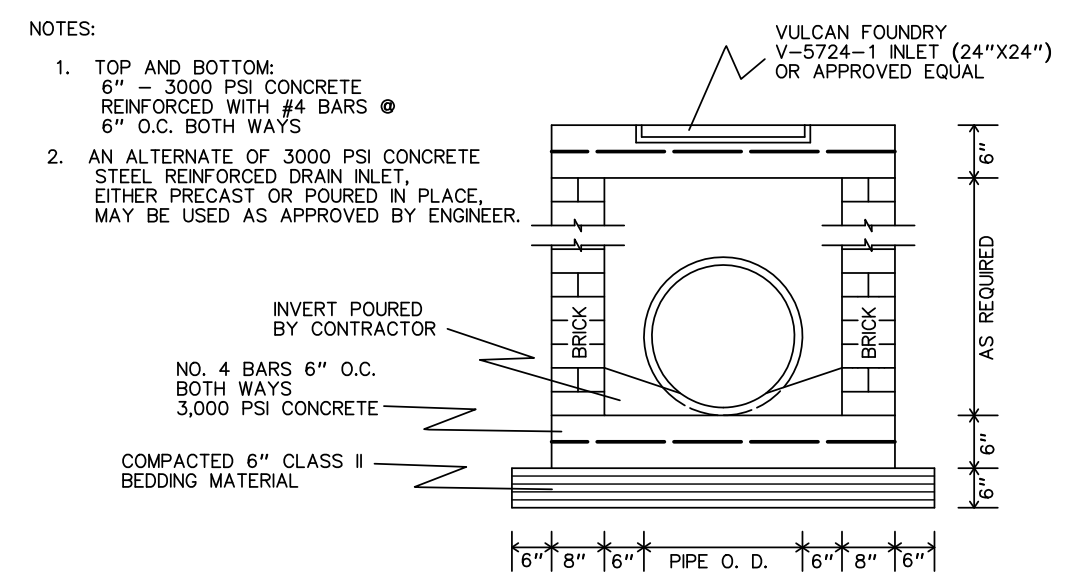


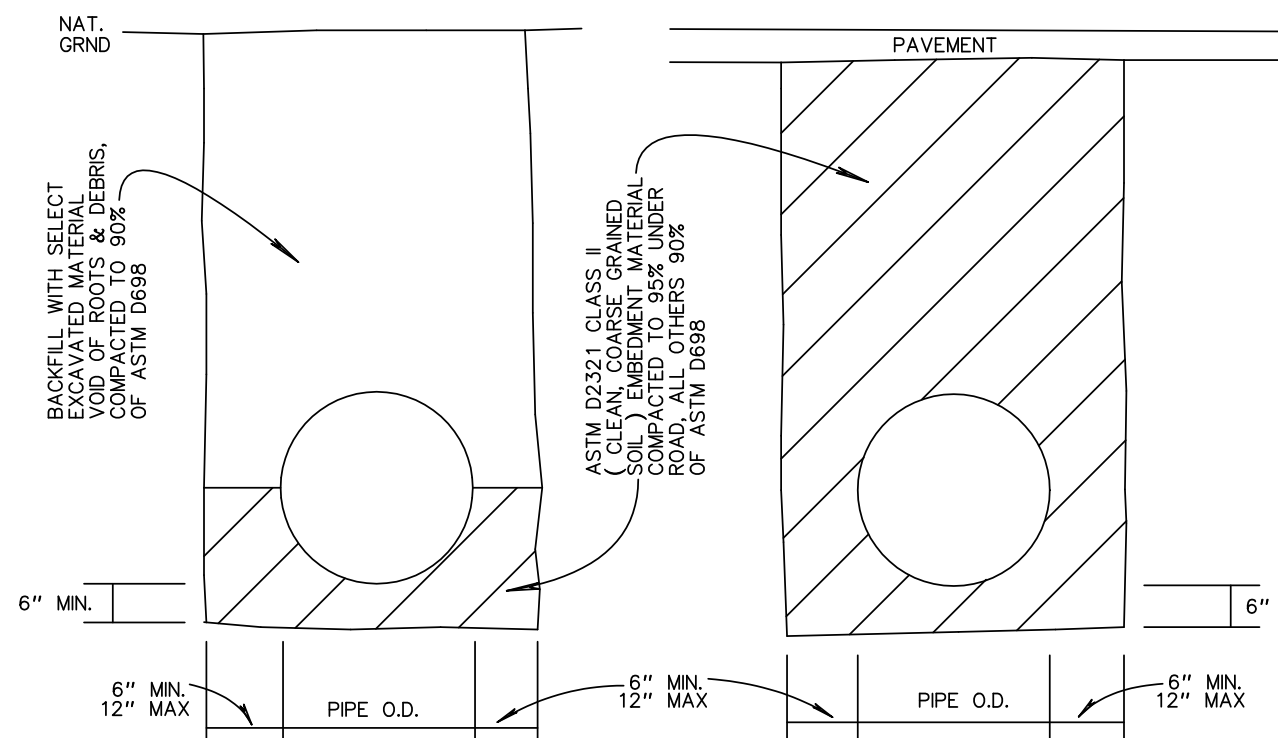
BARRIER CURB DETAIL



CURB DOWEL DETAIL



CATCH BASIN DETAIL



PIPE BEDDING DETAIL

NOTES:  
1. TOP AND BOTTOM: 6" - 3000 PSI CONCRETE REINFORCED WITH #4 BARS @ 6" O.C. BOTH WAYS  
2. AN ALTERNATE OF 3000 PSI CONCRETE STEEL REINFORCED DRAIN INLET, EITHER PRECAST OR POURED IN PLACE, MAY BE USED AS APPROVED BY ENGINEER.  
VULCAN FOUNDRY V-5724-1 INLET (24"x24")  
INVERT POURED BY CONTRACTOR  
NO. 4 BARS 6" O.C. BOTH WAYS  
3,000 PSI CONCRETE  
COMPACTED 6" CLASS II BEDDING MATERIAL  
AS REQUIRED  
6" MIN. 12" MAX. PIPE O.D. 6" MIN. 12" MAX.

NOTE:  
TOPOGRAPHIC SURVEY PROVIDED FROM MCKAY & ASSOCIATES, LLC  
DATE: 12-14-2020  
JOB NO.: 20-749  
ELEVATIONS REFERS TO NAVD 88  
THIS PROPERTY IS LOCATED IN FLOOD ZONE A10, BFE = 11' PER FEMA MAP NO. 226205 0566D DATED APRIL 2, 1991

- LEGEND:
- DIRECTION OF SURFACE FLOW
  - EXISTING ELEVATION
  - PROPOSED ELEVATION (FINISHED PAVEMENT GRADE)
  - CATCH BASIN

**DRAINAGE & GRADING PLAN**

VILLAGE OF EDEN OAK  
LOT 1-A-1 OAK HARBOR COMMERCIAL, PH.1  
SECTION 34, T-9-S R-14-E  
ST. TAMMANY PARISH, LOUISIANA

| REVISIONS |      | KELLY McHUGH & ASSOCIATES, INC.<br>CIVIL ENGINEERS & LAND SURVEYORS<br>845 GALVEZ ST., MANDEVILLE, LA.<br>826-5611 |
|-----------|------|--|
| MARK      | DATE |  |
|           |      |  |
|           |      |  |
|           |      |  |
|           |      |  |
|           |      |  |
|           |      |  |
|           |      |  |

SCALE: 1" = 20'  
DATE: 01-04-23  
DRAWN: SMC  
JOB NO.: 21-328  
CHECKED: [Signature]  
DWG. NO.: C2

