

Ordering Information

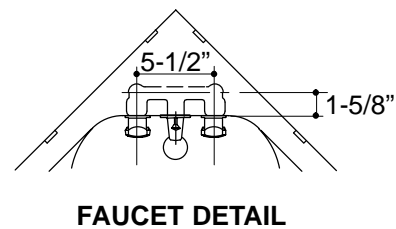
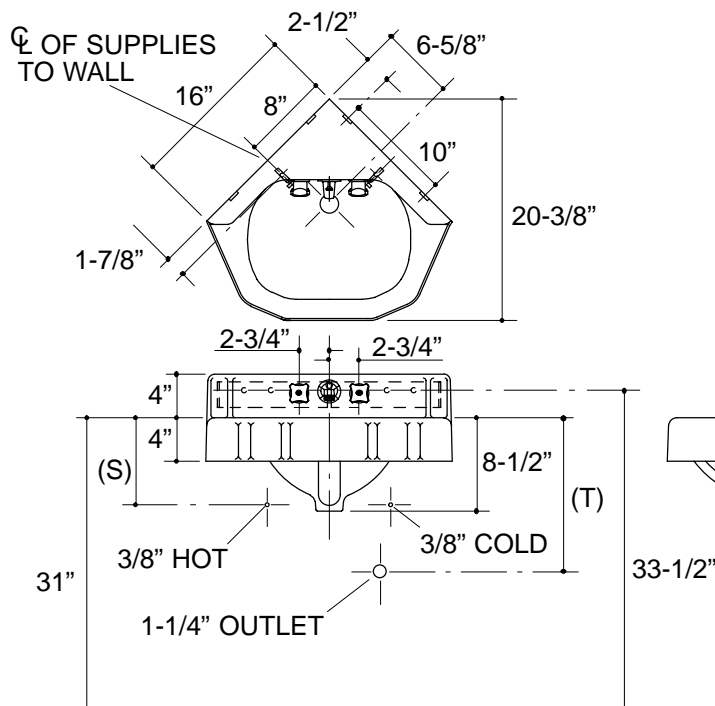
Applicable lavatory:		
With faucet	K-2766	shown
Without faucet	K-2766-EH	not shown

Product Information

Fixture*:		basin area	water depth
Lavatory		15" x 11"	5"
Outlet	1-1/16" D.		
* Approximate measurements for comparison only.			

Holes	K-2766		
Spout	1-1/2" D.		
Faucet	1-3/16" D.		

Included Components:	
Triton faucet	K-8040-2A
Hanger	64503
Overflow ferrule (1)	44071



Roughing-In Notes

Fixture dimensions are nominal and conform to tolerances in ASME/ANSI Standard A112.19.1M.

(T) Pop-up drain 14-1/8", drain 13-1/4".

(S) 8" (Based on 12" riser which may require cutting).

.9<116