

KOHLER[®] SERVICE PARTS

BATH ACCESSORIES

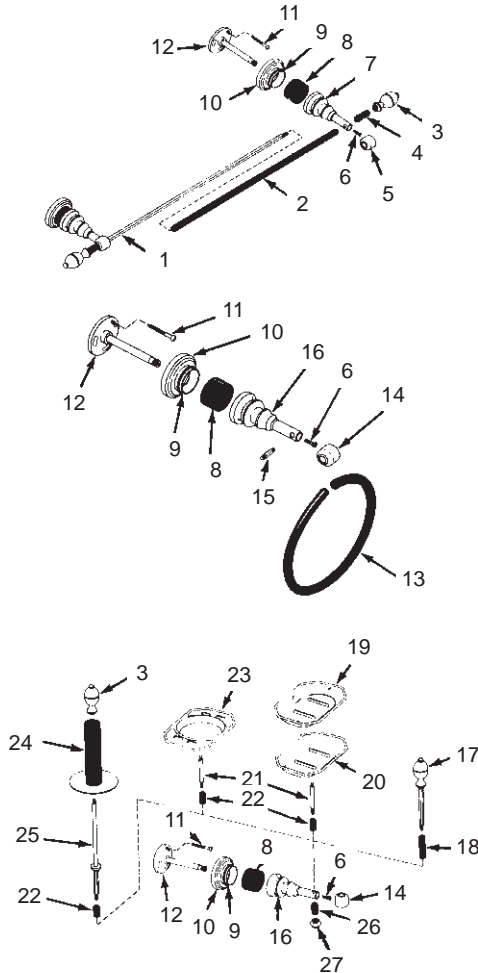
IV GEORGES BRASS ACCESSORIES

- K-6816 TOWEL BAR
- K-6817 TOWEL RING
- K-6818 TISSUE HOLDER
- K-6819 TOOTHBRUSH/TUMBLER HOLDER
- K-6820 SOAP DISH
- K-6821 ROBE HOOK

BELLAMONTÉ ACCESSORIES

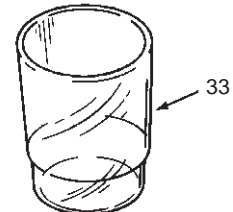
- K-9810 TUMBLER HOLDER w/1 Glass
- K-9811 DOUBLE TMBLR HLDR w/2 Glasses
- K-9812 SOAP DISH HLDR w/Glass Soap Dish
- K-9813 ROLL PAPER HOLDER
- K-9815 ROBE HOOK
- K-9816 TOWEL RING
- K-9818 SINGLE TOWEL BAR (18" or 24")
- K-9819 DOUBLE TOWEL BAR (18" or 24")
- K-9822 SINGLE SWING TOWEL BAR (18")
- K-9823 DOUBLE SWING TOWEL BAR

ORDER BY KIT NUMBER OR PART NUMBER, NOT ITEM NUMBER OR KIT LETTER.

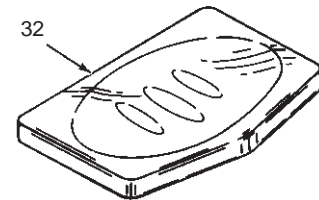


Ordering Options

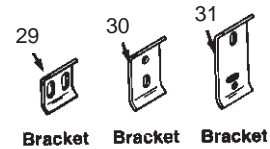
Item	Part No. or Kit
1	A or B
2	C or D
3	36629‡
4	36711‡
5	36631‡
6	E
7	36730‡
8	36638‡
9	41364
10	36728‡
11	24805
12	36700
13	36715‡
14	36713‡
15	36714
16	36641‡
17	36622‡
18	36640‡
19	36706
20	36703‡
21	36705
22	36639‡
23	36707‡
24	36718‡
25	36716‡
26	36639‡
27	36635‡
28	F, G, H
29	F
30	G
31	H
32	43222
33	43213



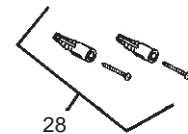
Tumbler



Soap Dish



Bracket Bracket Bracket



28

Kit Ordering Information

Kit	Kit Part No.	Kit Name	Kit Contents
A	36726	Towel Bar 18"	1 ea., Item 1
B	36710	Towel Bar 24"	1 ea., Item 1
C	36727‡	Sleeve 18"	1 ea., Item 2
D	36712‡	Sleeve 24"	1 ea., Item 2
E	30097‡	Screw Kit	2 ea., Item 6
F	43246	Bracket w/Screws Anchors (K-9818/19)	1 ea., Items 28 and 29
G	43248	Bracket w/Screws Anchors (K-9810/11/12/13/15/16)	1 ea., Items 28 and 30
H	43247	Bracket w/Screws Anchors (K-9822/23)	1 ea., Items 28 and 31

KITS MAY INCLUDE EXTRA PARTS

NOTES:

LEGEND:

‡ Specify Finish.