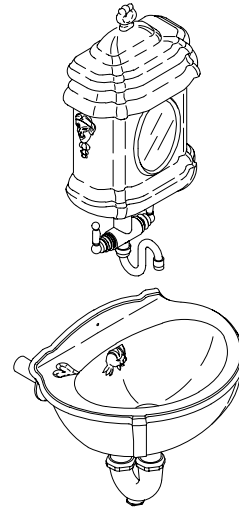


WALL-MOUNT LAVATORY AND CISTERN

K-3035, K-3036

FEATURES

- 16-1/2" x 12-1/2" (lavatory)
- 11-1/8" x 5-5/8" (cistern)
- White earthenware
- Wall-mount
- Lavatory includes mounting hardware, polished brass "P" trap and drain
- Cistern includes a polished brass faucet with ceramic valves and wood handles, 3/8" lav supplies with stops, oval mirror, and mounting hardware
- Lavatory and cistern function as a set. Both must be purchased



CODES/STANDARDS APPLICABLE

Specified model meets or exceeds the following:

- None applicable

COLORS/FINISHES

- NA None Applicable

SPECIFIED MODEL:

Model	Description	Colors/Finishes
K-3035	Wall-mount lavatory	<input type="checkbox"/> NA
K-3036	Wall-mount cistern	<input type="checkbox"/> NA

PRODUCT SPECIFICATION:

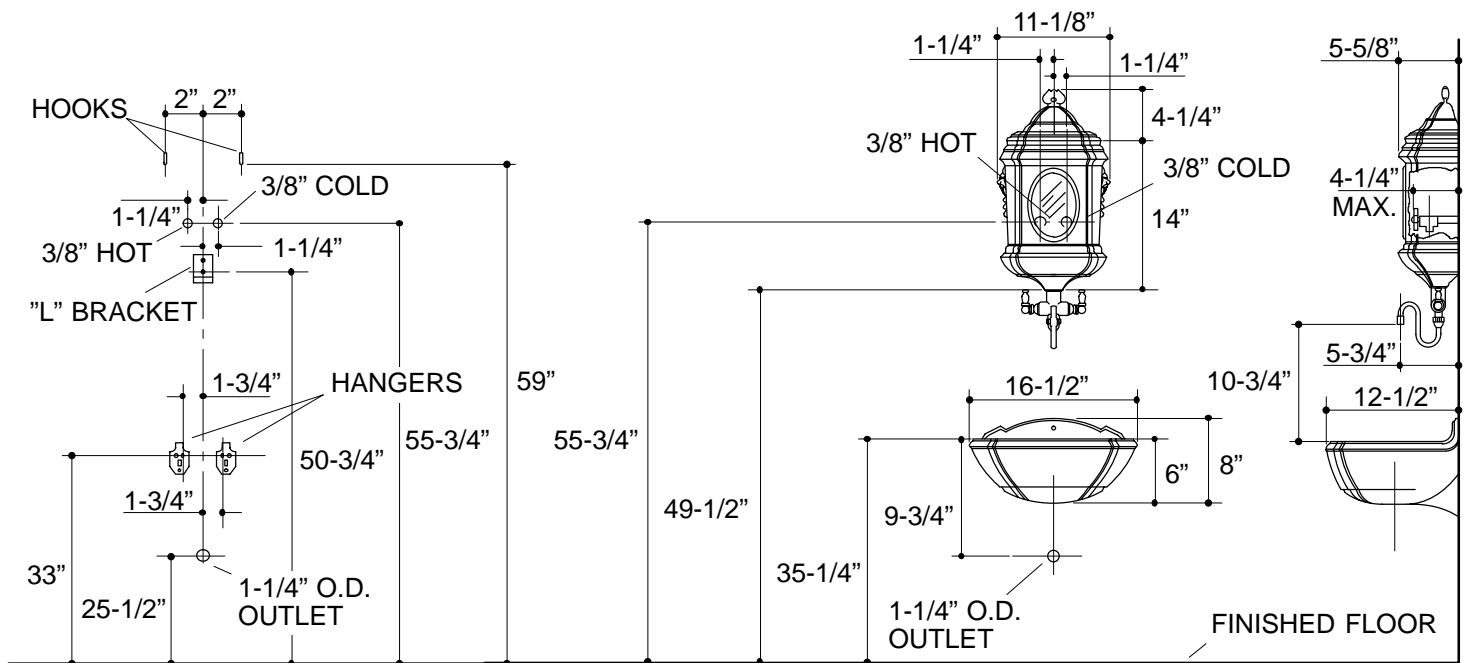
The wall-mount lavatory shall be 16-1/2" in length, and 12-1/2" in width. The wall-mount cistern shall be 11-1/8" in length and 5-5/8" in width. Lavatory and cistern shall be made of white earthenware. Lavatory shall include mounting hardware, polished brass "P" trap and drain. Cistern shall include a polished brass faucet with ceramic valves and wood handles, 3/8" lav supplies with stops, an oval mirror, and mounting hardware. Lavatory and cistern shall be Kohler Models K-3035-_____ and K-3036-_____.

PRODUCT INFORMATION

Fixture*:		basin area	water depth
Lavatory		13" x 9"	2-3/4"
Outlet	1-7/8" D.		

* Approximate measurements for comparison only.

Included Components:		
3/8" angle supplies with stops	shown	K-7605
Trap	not shown	K-8998
Faucet mounting hardware	shown	30716
Lavatory support assembly	shown	30726



BRACKET AND HANGER LOCATIONS

.9<116

PRODUCT DIAGRAM