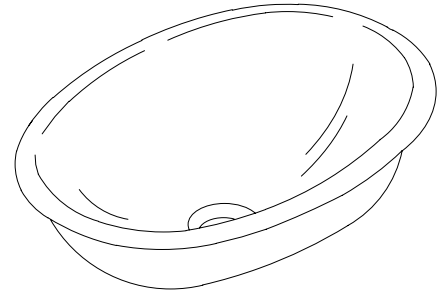


FEATURES

- 16-3/4" x 11-3/4"
- Stainless steel
- Self-rimming or undercounter
- Mirror finish with Hushcoat undercoat (-M), mirror finish without Hushcoat undercoat (-MU)
- Satin finish with Hushcoat undercoat (-S), satin finish without Hushcoat undercoat (-SU)
- 20 gauge stainless steel
- Installation hardware included for both types of installation
- No overflow, PVC tube and drain gasket included to cover overflow hole in faucet drain assembly
- With sealant



CODES/STANDARDS APPLICABLE

Specified model meets or exceeds the following:

- Canadian Standards Association (CSA)

COLORS/FINISHES

- NA None Applicable

Accessories:

- CP Polished Chrome
- Other Refer to Faucets Price Book for additional finishes

SPECIFIED MODEL:

Model	Description	Colors/Finishes
K-2611-M	Mirror finish with hushcoat undercoat lavatory	<input type="checkbox"/> NA
K-2611-MU	Mirror finish without hushcoat undercoat lavatory	<input type="checkbox"/> NA
K-2611-S	Satin finish with hushcoat undercoat lavatory	<input type="checkbox"/> NA
K-2611-SU	Satin finish without hushcoat undercoat lavatory	<input type="checkbox"/> NA

Recommended Accessories			
K-8998	Trap	<input type="checkbox"/> CP	<input type="checkbox"/> Other_____

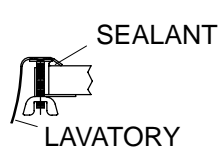
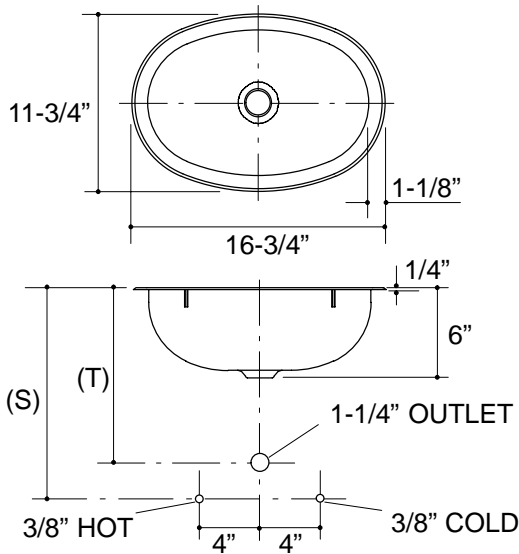
PRODUCT SPECIFICATION:

The oval lavatory shall be 16-3/4 in length, and 11-3/4" in width. Lavatory shall be made of 20 gauge stainless steel. Lavatory shall be either self rimming or undercounter installation. Lavatory shall have mirror finish with Hushcoat undercoat (-M), mirror finish without Hushcoat undercoat (-MU), satin finish with Hushcoat undercoat (-S), or satin finish without Hushcoat undercoat (-SU). Lavatory shall include hardware for both types of installation. Lavatory shall have PVC tube and drain gasket to cover overflow hole in faucet drain assembly. Lavatory shall include sealant. Lavatory shall be Kohler Model K-2611-_____.

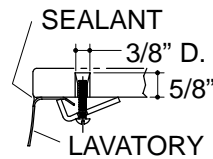
BOLERO

PRODUCT INFORMATION

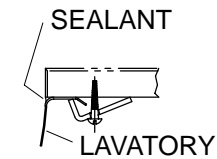
Fixture*:		basin area	water depth
Lavatory		15" x 10"	5-1/2"
Outlet	1-5/8" D.		
* Approximate measurements for comparison only.			
Included Components:			
Basin clamp assembly (undercounter)		68922	
Basin clamp assembly (self-rimming)		56655	
Drain gasket		33507	
Tube		62603	
Adhesive sealant		63034	
Cutout template		111579	



KIT #56655



**MARBLE SLAB
INSTALLATION**



**WOOD COUNTER
INSTALLATION**

KIT #68922

NOTE: WATERPROOF UNPROTECTED OVERHANG AREA OF THE UNDERSIDE OF WOOD COUNTER.

Roughing-In Notes

(T) Pop-up drain 11-5/8", drain 10-3/4".

(S) 14" (Based on 12" riser which may require cutting).

Supplied basin clamp assemblies require 3/4" minimum countertop thickness. Installer must supply anchors for thinner countertops.

1.25>116

PRODUCT DIAGRAM