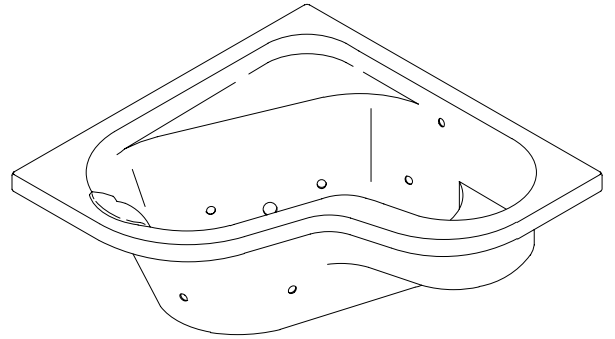


#### FEATURES

- 60-1/2" x 60-1/2" x 24"
- Acrylic
- System III - 2 hp variable flow pump with integral heater, electronic switch, and pulsating neckjets with pillow
- 8 Flexjets
- UL Listed
- LESS ALL TRIM
- For corner installation
- Optional K-1373 front apron
- Pump is supplied with a grounding-type plug in cord

## K-1370-H1, K-1370-N



#### CODES/STANDARDS APPLICABLE

Specified model meets or exceeds the following:

- ANSI Z124.1
- ASME/ANSI A112.19.7M
- IAPMO/UPC
- Underwriters Laboratories (UL)
- State of Massachusetts
- Dade County, Florida
- City of Los Angeles, CA

#### COLORS/FINISHES

- 0 White
- Other Refer to Fixtures Price Book for additional colors

#### Accessories:

- CP Polished Chrome
- PB Polished Brass
- Other Refer to Faucets Price Book for additional finishes
- NA None Applicable

#### SPECIFIED MODEL:

Model	Description	Colors/Finishes	
K-1370-H1	Bath whirlpool less neckjets and pillow	<input type="checkbox"/> 0 White	<input type="checkbox"/> Other_____
K-1370-N	Bath whirlpool with neckjets and pillow	<input type="checkbox"/> 0 White	<input type="checkbox"/> Other_____

Required Accessories				
K-9698	Jet trim kit	<input type="checkbox"/> CP	<input type="checkbox"/> PB	<input type="checkbox"/> Other_____
Recommended Accessories				
K-7167	Drain	<input type="checkbox"/> CP	<input type="checkbox"/> PB	<input type="checkbox"/> Other_____
Optional Accessories				
K-1373	Apron (removable)	<input type="checkbox"/> 0 White	<input type="checkbox"/> Other_____	
K-1181	Vinyl tiling-in bead (use when wall material contacts any top surface of bath)	<input type="checkbox"/> NA		

#### PRODUCT SPECIFICATION:

The bath whirlpool shall be 60-1/2" in length, 60-1/2" in width, and 24" in height. Bath whirlpool shall be made of acrylic. Bath whirlpool shall have System III, with 8 Flexjets, 2 hp variable flow pump with integral heater, electronic switch, and pulsating neckjets with pillow. Bath whirlpool shall be UL listed. Bath whirlpool shall be less all trim. Bath whirlpool shall be for corner installation. Bath whirlpool shall have optional K-1373 front apron. Bath whirlpool pump shall be supplied with a grounding-type plug-in cord. Bath whirlpool shall be Kohler Model K-1370\_\_\_\_\_ - \_\_\_\_\_.

## REQUIRED ELECTRICAL SERVICE

Dedicated circuit required, protected with Class A Ground-Fault Circuit-Interrupter (GFCI):	
Pump/control	120 V., 20 A, 60 Hz

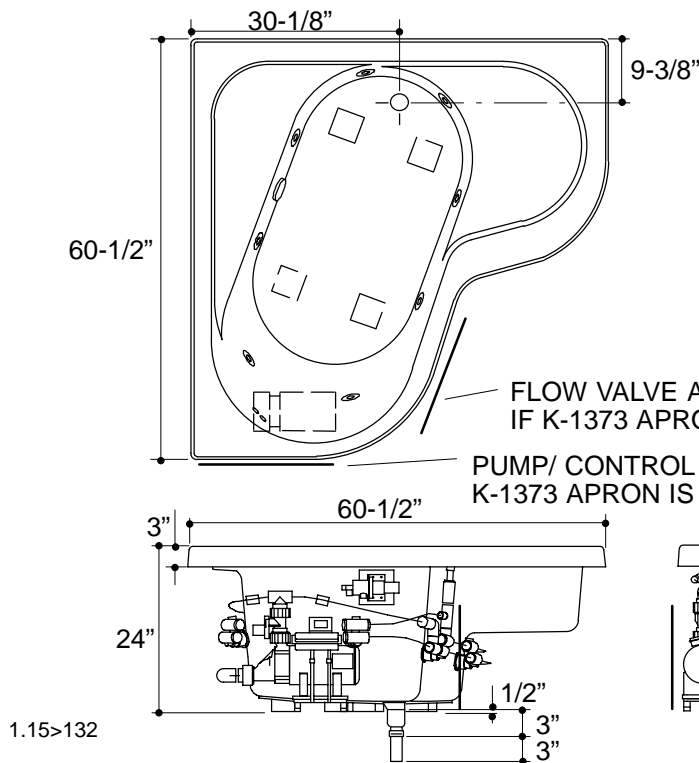
## PRODUCT INFORMATION

Fixture*:	basin area	top area	weight	
Bathing well	44" x 25"	54" x 29"	165 lbs.	
	water depth	capacity		
To overflow	17"	100 gals.		
* Approximate measurements for comparison only.				
Pump:	HP	V	Hz	A
1-speed	2	120	60	18.5
Included Components:				
Cutout template	106490-7			

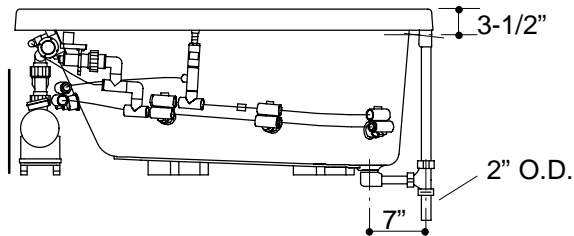
## INSTALLATION NOTES

If installing a rim-mount faucet, make sure there is no interference with drain overflow and circulating system before drilling any holes. Consult local and national codes for minimum air gap requirements if installing a spout on the faucet deck.

Pump is supplied with a grounding type plug-in cord. Locate the outlet behind the whirlpool, and within 24" of the pump.



Roughing-In Notes		
No change in measurements if connected with drain illustrated.		
Minimum access:		
Pump/control	25" W x 15" H panel	see illustration
Flow valve	20" W x 15" H panel	see illustration



## PRODUCT DIAGRAM