

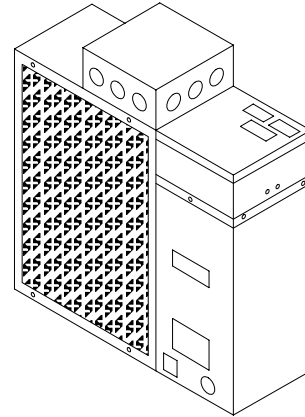
FEATURES

- *Electric remote*
- *Ventilating grill available (K-5430)*

CODES/STANDARDS APPLICABLE

Specified model meets or exceeds the following:

- *Canadian Standards Association (CSA)*
- *Underwriters Laboratories (UL)*



COLORS/FINISHES

Accessories:

- NA None Applicable

SPECIFIED MODEL:

Model	Description	Colors/Finishes
K-5425	Water chiller	<input type="checkbox"/> NA

PRODUCT SPECIFICATION:

The water chiller shall be electric remote. Water chiller shall be Kohler Model K-5425-_____.

ICE-FLOE™

ELECTRICAL REQUIREMENTS

Service	120 V., 15 A, 60 Hz
---------	---------------------

PLUMBING REQUIREMENTS

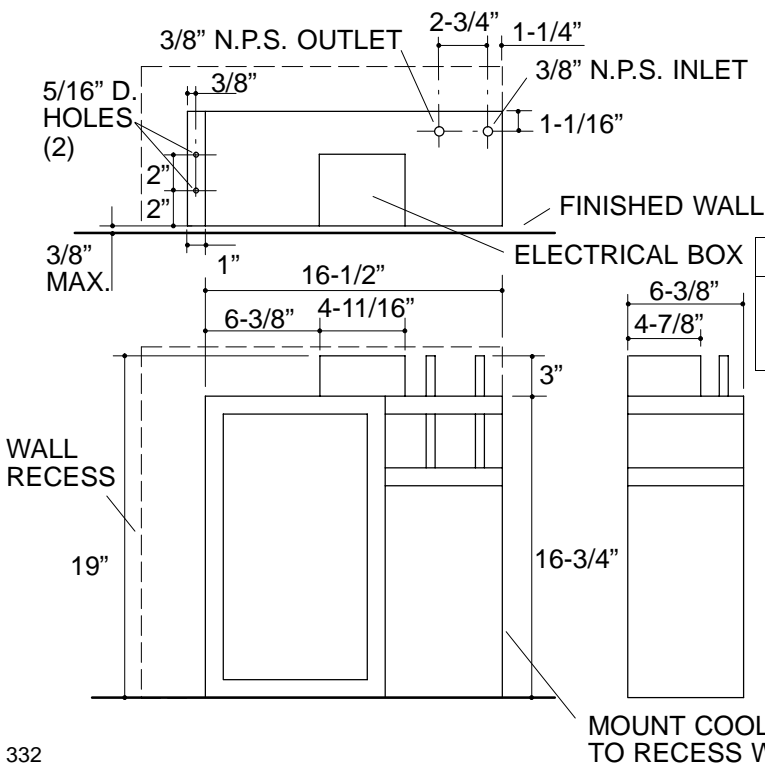
Inlet	3/8" N.P.S.
Outlet	3/8" N.P.S.

PRODUCT INFORMATION

Unit Size	height	width	depth
	19"	16-1/2"	6-3/8"
Recess Size	19-1/2"	20"	9" min.
Weight	44 lbs.		

Do not connect the water supply to the 3/8" outlet, as the coil will freeze and split.

If water pressure is 75 p.s.i. or greater, a pressure reducer valve must be installed.



Roughing-In Notes

A minimum clearance of 2-1/4" must be maintained at the back of the cabinet and 3-1/2" on the left side to ensure adequate ventilation of the unit.

332

PRODUCT DIAGRAM