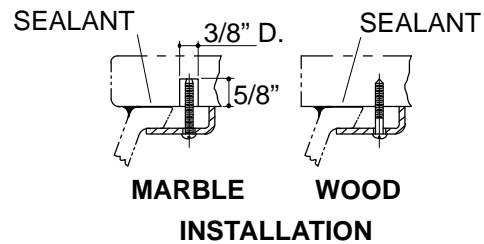
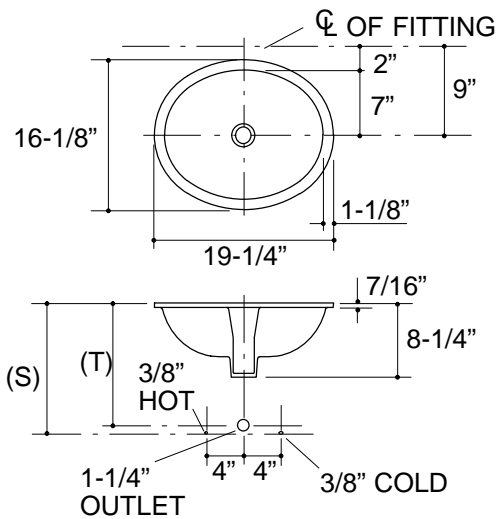


Product Information

Fixture*:		basin area	water depth
Lavatory:		17" x 14"	6-3/8"
Outlet	1-3/4" D.		
* Approximate measurements for comparison only.			

Included Components:	
Basin clamp assembly	52047
Adhesive sealant	63034
Cutout template	101085-7



Roughing-In Notes

Fixture dimensions are nominal and conform to tolerances in ASME Standard A112.19.2M.

(T) Pop-up drain 13-7/8", drain 13".

(S) 14" (Based on 12" riser which may require cutting).

Supplied basin clamp assemblies require 1" minimum countertop thickness. Installer must supply anchors for thinner countertops.

.75<116