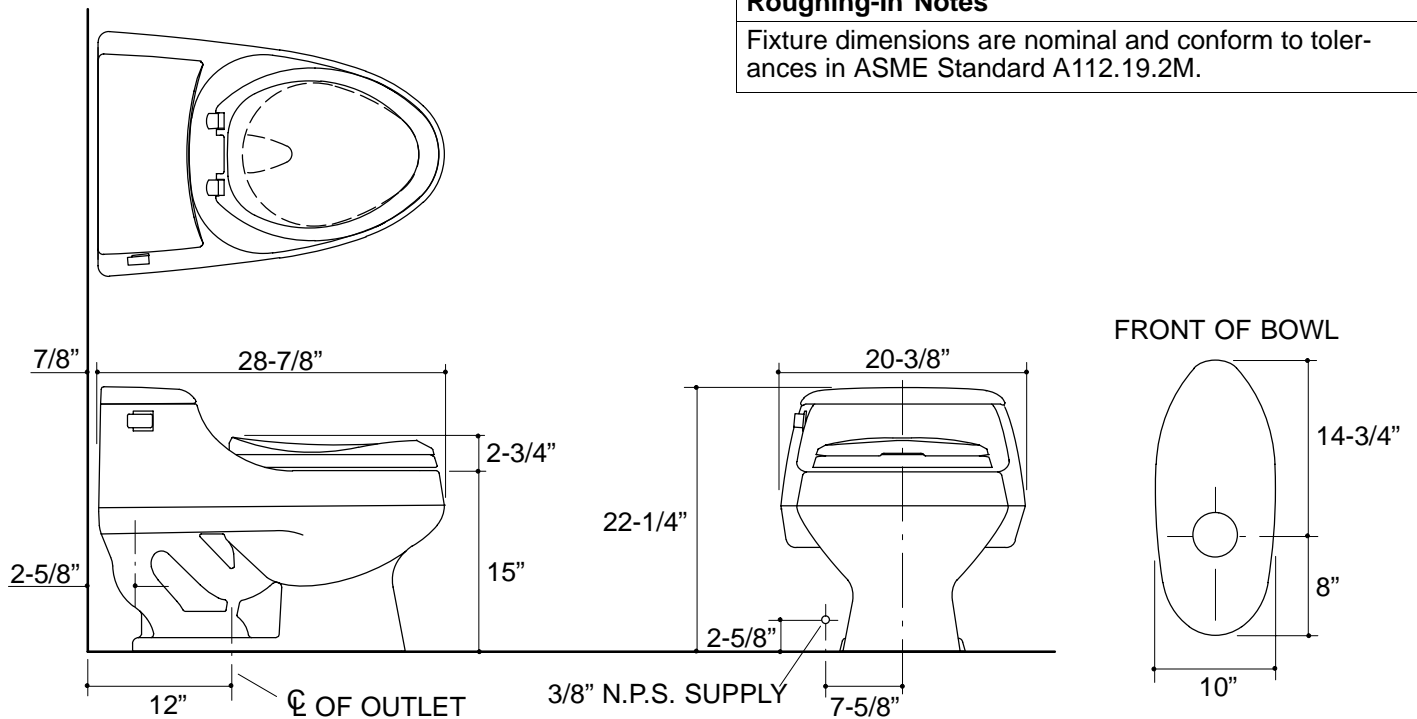


Ordering Information

Accessories/hardware:		
3/8" supply	K-7637	recommended
Floor bolts (pr.)	21401	recommended

Product Information

Fixture:	
Configuration	1-piece, elongated
Gallons per flush	1.6 gallons
Passageway	2"
Water depth from rim	6"
Seat post hole centers	5-1/2"
Included Components:	
Seat	K-4653
Tank cover	84250
Trip lever	K-9430
Bolt cap accessory pack	52048
Tank accessory pack	84301



116