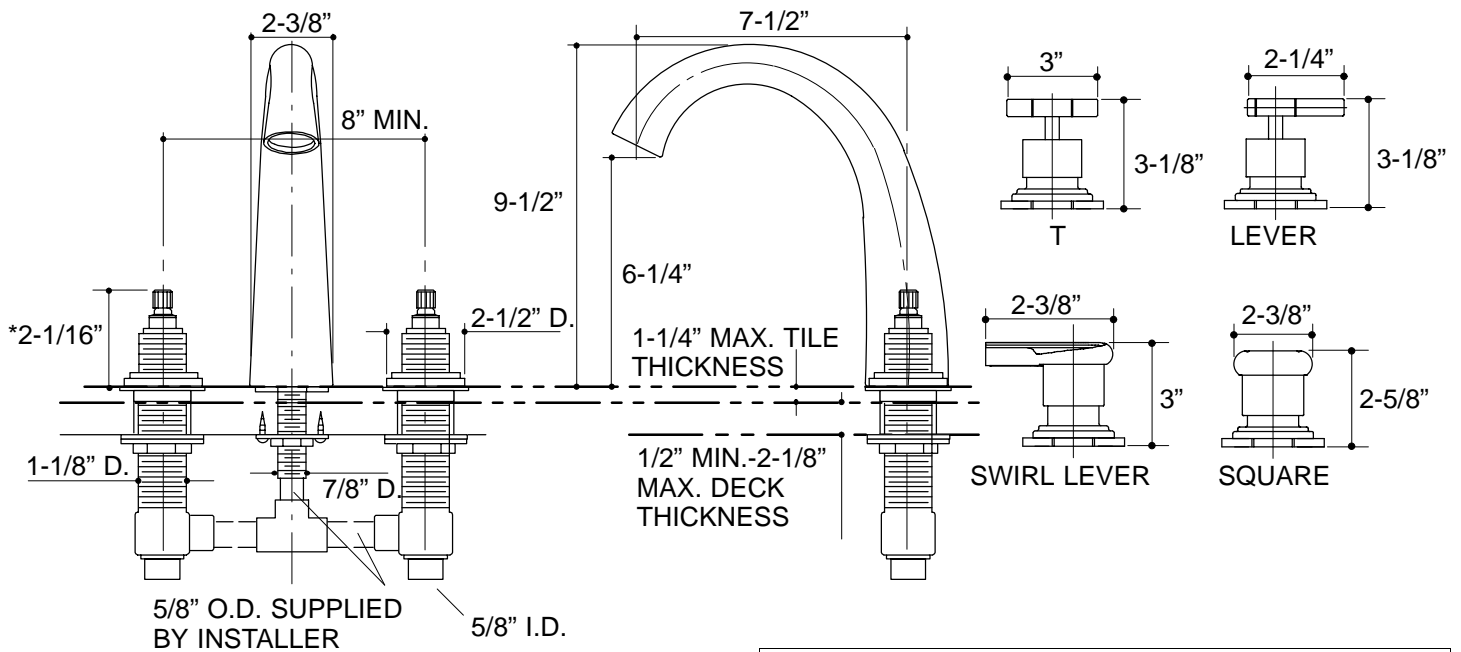


Ordering Information

Applicable faucet trim:		
Square handles with spout	K-T8235-2	
Lever handles with spout	K-T8235-4	
Swirl Lever-handles with spout	K-T8235-4A	
T-handles with spout	K-T8235-6	
Applicable valve:		
1/2" valve system	K-300-K-NA	required*
* Required for configuration illustrated.		
ADA Lever handles are ADA compliant		



Roughing-In Notes

*Dimension allows +/- 1/4" handle adjustment during handle trim installation.

.9<34

K-T8235, K-300-K Taboret® Bath Faucet Trim and Valve
115137-1-AA (9619)

KOHLER®

NOTES: