

**FEATURES**

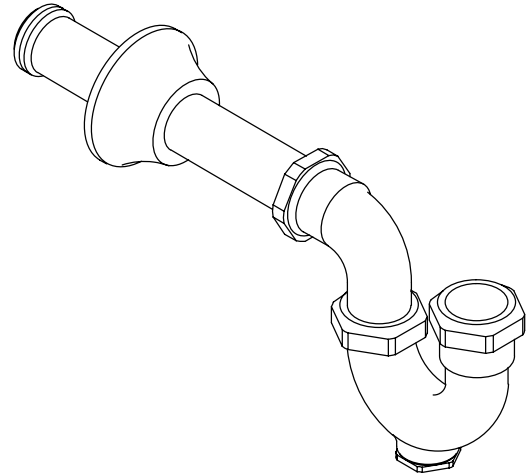
- Cast brass construction
- Adjustable rotation on tube outlet
- Slip-joint inlet
- Cleanout plug
- Flange

**CODES/STANDARDS APPLICABLE**

Specified model meets or exceeds the following:

- ASME/ANSI A112.18.1M
- IAPMO/UPC

**P-TRAP**  
**K-9020**  
**ALSO K-9021, K-9022**



**COLORS/FINISHES**

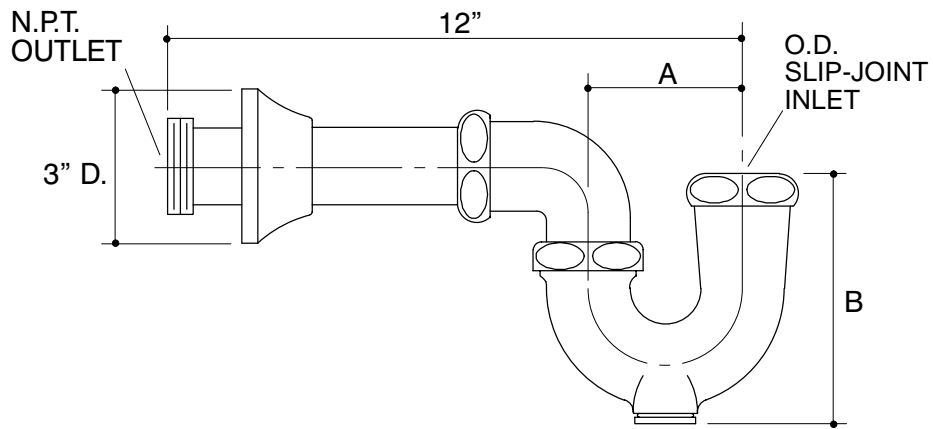
- CP Polished Chrome

**SPECIFIED MODEL:**

Model	Description	
K-9020	With 1-1/4" O.D. Inlet and 1-1/4" N.P.T. Outlet	<input type="checkbox"/> CP
K-9021	With 1-1/4" O.D. Inlet and 1-1/2" N.P.T. Outlet	<input type="checkbox"/> CP
K-9022	With 1-1/2" O.D. Inlet and 1-1/2" N.P.T. Outlet	<input type="checkbox"/> CP

**PRODUCT SPECIFICATION:**

P-trap shall be of cast brass construction. Adjustable P-trap shall feature cleanout plug, and flange. Optional features shall be 1-1/4" or 1-1/2" O.D. slip-joint inlet and 1-1/4" or 1-1/2" N.P.T outlet with bushing. Product shall be Kohler Model K-\_\_\_\_\_-CP.



Roughing-In Notes				
	A	B	N.P.T. OUTLET	O.D. INLET
K-9020	2-3/4"	4-3/8"	1-1/4"	1-1/4"
K-9021	3"	4-7/8"	1-1/2"	1-1/4"
K-9022	3"	4-7/8"	1-1/2"	1-1/2"

## PRODUCT DIAGRAM