



Altronix®

AL600ULXPD16 **Multi-Output Power Supply/Charger**

Rev. DSAL600ULXPD16_02112014



AL600ULXPD16

Overview

AL600ULXPD16 is a multi-output power supply/charger that converts a 115VAC, 60Hz input into sixteen (16) 12VDC or 24VDC non power-limited outputs.

Specifications

Input:

- Input 115VAC, 60Hz, 3.5 amp.

Output:

- 12VDC or 24VDC selectable output.
- 6 amp continuous supply current.
- Sixteen (16) fuse protected outputs.
- Output fuses are rated @ 3.5 amp/250VAC.
- Filtered and electronically regulated output.
- Short circuit and thermal overload protection.

Battery Backup:

- Built-in charger for sealed lead acid or gel type batteries.
- Automatic switch over to stand-by battery when AC fails.
- Maximum charge current 0.7 amp.

Supervision:

- AC fail supervision (form "C" contacts).
- Low battery supervision (form "C" contacts).
- Battery presence supervision (form "C" contacts).

Visual Indicators:

- AC input and DC output LED indicators.

Electrical:

- Operating temperature: 0° C to 49° C ambient.
- 36.85 or 73.70 BTU/Hr.
- System AC input VA requirement: 218.5VA.

Mechanical:

- Enclosure Dimensions (H x W x D approx.):
15.5" x 12" x 4.5" (393.7mm x 304.8mm x 114.3mm)
- Accommodates two (2) 12VDC/12AH batteries.
- Product weight (approx.): 12.0 lbs. (5.44 kg).
- Shipping weight (approx.): 12.9 lbs. (5.85 kg).

Agency Approvals

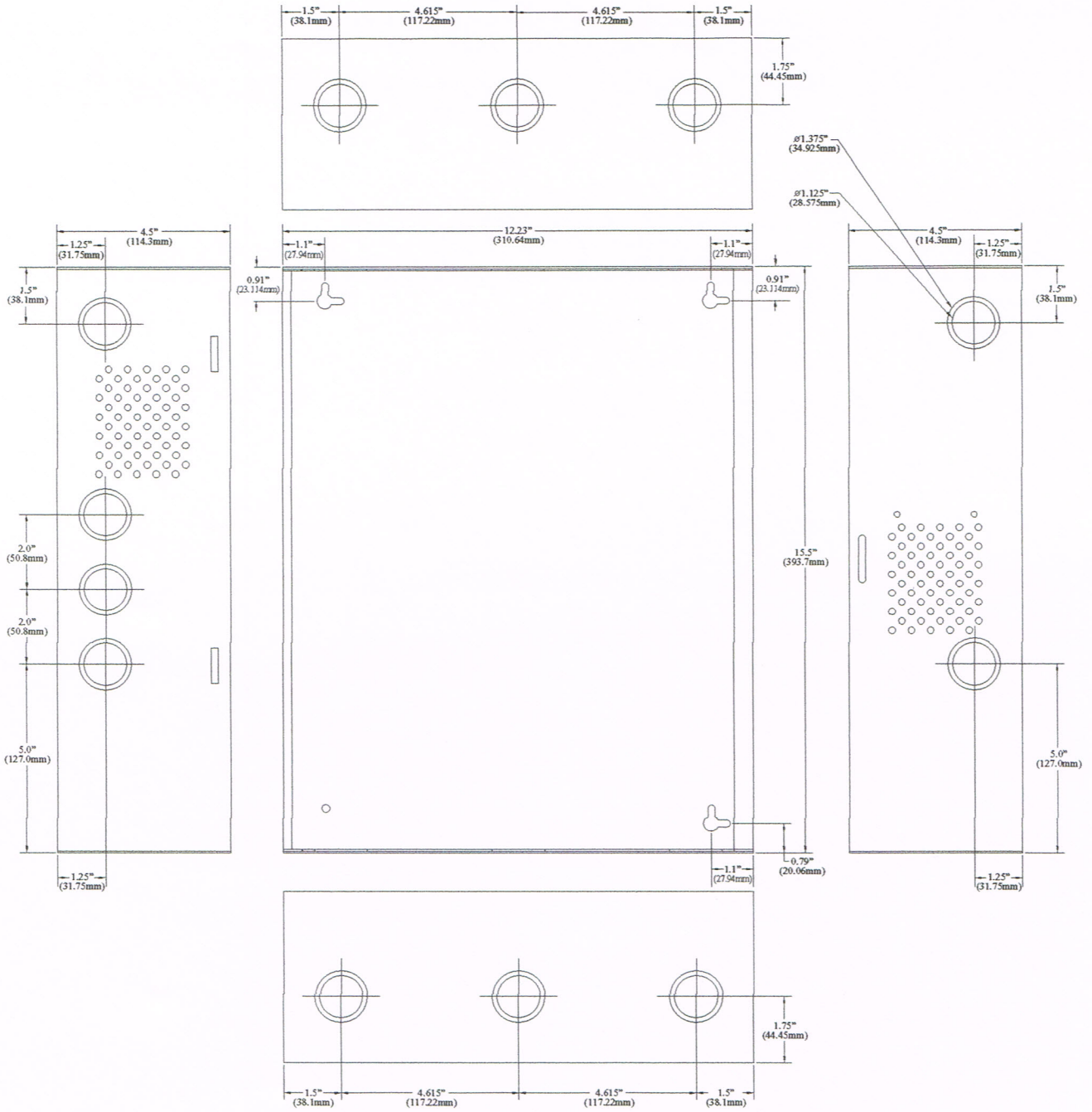


UL 294 UL Listed for Access Control System Units.
UL 1481 UL Listed Standard for Safety for Fire Protective Signaling Systems.



General Signaling Equipment
Evaluated to CSA Standard C22.2 No.205-M1983

Enclosure Dimensions (H x W x D approximate)
15.5" x 12" x 4.5" (393.7mm x 304.8mm x 114.3mm)





MS Series Proximity Readers

- Sleek Attractive Packages
- Ultra Thin Profile
- Smallest Door Frame (Mullion) Reader Available
- Better Read Range Performance Than Competing Products of Similar Size



Keri's *MS Series Proximity Readers* are designed to blend aesthetics, read range performance, and small package size with an extremely thin profile into a product that is priced significantly less than competing proximity readers. The readers are for use exclusively with Keri's revolutionary access control system based on the *PXL-500 Tiger II Controller* and were designed by some of the industry's top RF engineers, with many years of experience in proximity reader design.

The smallest readers in the series are the *MS-3000 MicroStar™ Reader* and the *MS-5000 MiniStar™ Reader*. The *MicroStar Reader* measures just 3.4" long x 1.4" wide x 0.38" thick (86mm x 36mm x 10mm) thick, and is designed to mount on a metal window or door frame (mullion) or directly on a wall. Read range is up to 4" (10cm). The *MiniStar Reader* measures 4.3" long x 3.0" wide x 0.38" thick (109mm x 76mm x 10mm), and can be mounted on a single gang electrical box or flat on a wall. Read range is up to 6" (15cm) when mounted at least one inch off metal. If the reader is mounted using a metal electrical junction box with the thickness of the wall material separating the reader from the box, read range will be reduced.

The *MS-7000 SuperStar™ Reader* measures just 8.5" long x 6" wide x 0.83" thick (21.6cm x 15.2cm x 2.1cm), with a read range of up to 14" (35cm). This reader is designed for applications where greater read range adds to the convenience of the system, such as parking access or physically challenged access.

The readers are attractively designed with a thin profile and modern appearance. The readers are compatible with all of Keri's proximity card styles as well as the small, extremely robust Keri Key Tag. Additionally, they can read any Indala ASP Card or Tag if they are to be used in conjunction with a PXL-500 Controller.



2305 Bering Drive, Ste A
San Jose, CA 95131 U.S.A.
(800) 260-5265 • (408) 435-8400 • Fax (408) 577-1792
e-mail: sales@kerisys.com web: www.kerisys.com

MS Series Proximity Readers

Specifications

Size

3.4" H x 1.4" W x 0.38" T (MS-3000)
(86mm x 36mm x 10mm)

4.3" H x 3.0" W x 0.38" T (MS-5000)
(109mm x 76mm x 10mm)

8.5" H x 6" W x 0.83" T (MS-7000)
(21.6cm x 15.2cm x 2.1cm)

Weight

2.1 oz. (59g) (MS-3000)

3.2 oz. (90g) (MS-5000)

1.3 lbs. (582g) (MS-7000)

Read Range*

Up to 4" (10cm) (MS-3000)

Up to 6" (15cm) (MS-5000)

Up to 14" (35cm) (MS-7000)

Input Voltage

+12 VDC nom. (5-14 VDC) (MS-3000)

+12 VDC nom. (5-14 VDC) (MS-3000)

+11 VDC to +14 VDC (MS-7000)

Current Draw

50 mA typical (MS-3000)

100 mA typical (MS-5000)

200 mA typical (MS-7000)

Operating Temperature

-40° C to +65° C

LED Indicator

Tri-Color Standard (Red, Green, Amber)

Audio Tone

Standard

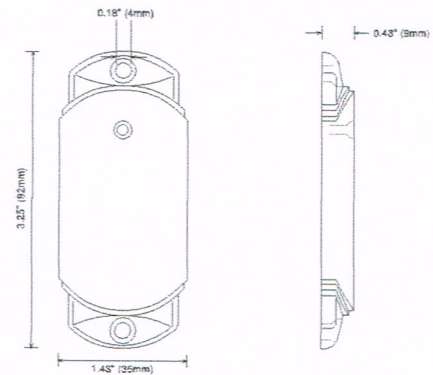
Frequency

125 KHz excitation, 62.5 KHz data return

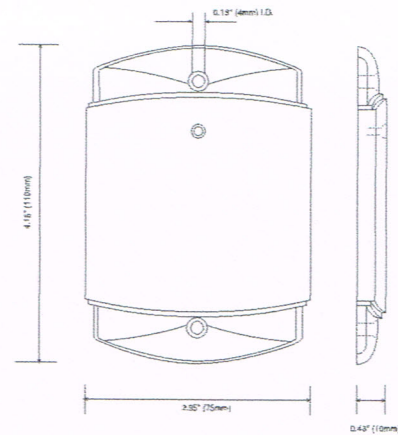
Warranty

Lifetime warranty against defects in materials and workmanship.

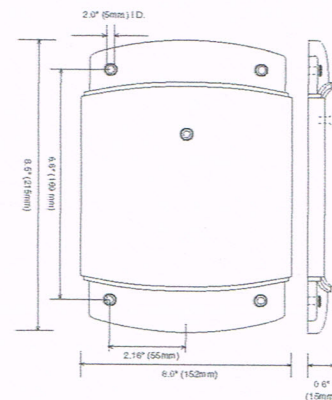
**MS-3000
MicroStar
Reader**



**MS-5000
MiniStar
Reader**



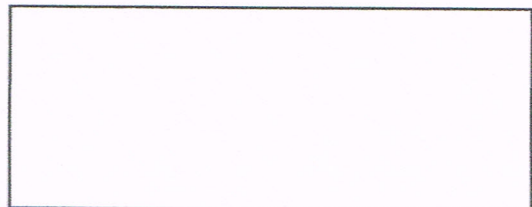
**MS-7000
SuperStar
Reader**



Specifications subject to change without notice.
Trademarks are the property of their respective owners.

* Read range is stated in a clean RF and electrical environment with KC-10X card presented parallel to reader surface.

Presented By:

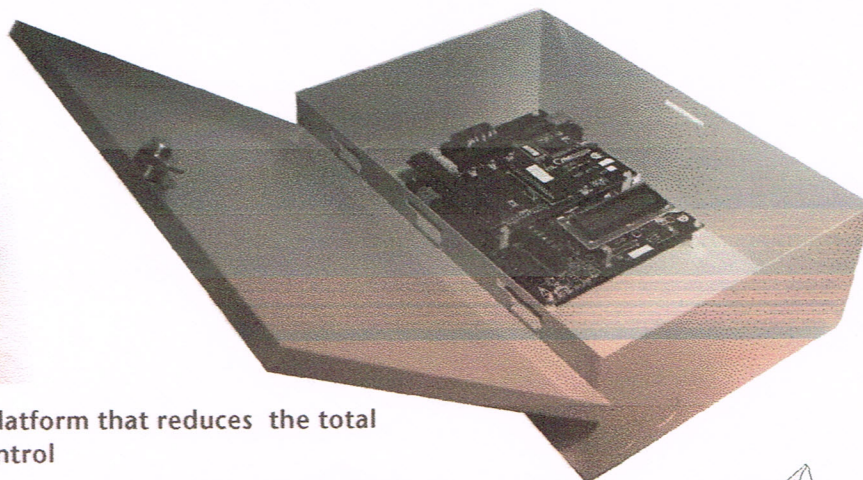


April 2003





PXL-500/510 Tiger II Controller and SB-593 Satellite Expansion Board



- Sophisticated Hardware Platform that reduces the total installed cost of access control
- 100% Distributed Intelligence, Expandable 1 or 2 Doors at a Time
- PXL-510 with Extra Serial Port provides alarm system control capability (arming and disarming)
- Great Installer Features Including Self-Configuring Hardware with No Jumper Settings, Digital Address Selection and Readout without DIP Switches, Quick Disconnect Terminals, and on-Board Diagnostics
- RS-485 Networking, 256 door/65,000 User Capacity
- RS-232 Port for direct PC, TCP/IP or Modem Connection, 5 Year Memory Retention
- Compatible with existing PXL-250 Systems



Keri's **PXL-500 Tiger II Controller** hardware platform provides sophisticated access control solutions for up to 256 doors at a single site and thousands of doors spread over a number of remote sites. The unique architecture and latest multiprocessor, RISC-based design techniques allow Keri to offer the system hardware at a lower cost compared to other manufacturers. It also contains many features that simplify and significantly reduce the cost of installation. The system is managed by Keri's **Doors™** for use with Windows™ software.

The PXL-500 itself contains all the input/output functionality necessary to manage a single door (Lock Relay, Door Sense, Request-to-Exit, and two reader inputs) as well as provide an alarm output. Each controller has an RS-485 port for connection to other PXL-500's (up to 128 per network) and an RS-232 serial port for connection to a PC which communicates with the first PXL-500 on the network. The PXL-500's two reader inputs can be configured for either Keri's acclaimed **MS Series Proximity Readers** or any Wiegand-compatible device (model PXL-500P for MS Readers, model PXL-500W for Wiegand-compatible readers.) The PXL-510 provides integration with the NetworX (Caddx) NX-8E Alarm Panel such that users can disarm and arm the alarm system using the access system's readers.

The **SB-593 Satellite Expansion Board** plugs into the PXL-500 to provide additional functionality at a cost far less than that of adding another controller. The SB-593 gives each PXL-500 an additional 8 general purpose inputs and 4 general purpose outputs. Two of the inputs and outputs can be configured to manage a second door, making the PXL-500 a cost effective two door controller while still providing an additional 6 inputs and 2 outputs.



2305 Bering Drive, Ste A
San Jose, CA 95131 U.S.A.
(800) 260-5265 • (408) 435-8400 • Fax (408) 577-1792
e-mail: sales@kerisys.com web: www.kerisys.com

DATA SHEET

PXL-500/510 Tiger II Controller &
SB-593 Satellite Expansion Board

PXL-500/510 Tiger II Controller and SB-593 Satellite Expansion Board

SPECIFICATIONS:

Size (Enclosure)

13" H x 9" W x 4" D
(33.15 cm x 22.95 cm x 6.35 cm)

Weight (In Enclosure)

4.36 lbs (1.99) kg

Size (PC Board)

PXL-500

5.6" H x 6.6" W x 1.6" D
(14.28 cm x 16.83 cm x 2.55 cm)

PXL-500 with SB-593

5.6" H x 6.6" W x 1.8" D
(14.28 cm x 16.83 cm x 4.59 cm)

Power Requirements (max)

+12 VDC @ 125mA (PXL-500)
add 375mA for SB-593

Inputs

PXL-500

Door Sense
Request to Exit
Auxiliary/External Time Zone
Card Reader (2), A & B

SB-593

General Purpose (8), 2 are configurable as request to exit and door sense for 2nd door

Outputs

PXL-500

Form C Lock Relay (3 Amp)
Form C Alarm Relay (3 Amp)
RS-232 Serial Port (DB-9M)
Output for Optional LCD Display

SB-593

Form C Relay, 3A (4), 2 are configurable as lock and alarm outputs tied to B reader port

Buffer Capacity

65,000 Cardholders
3,600 Events

Temperature/Humidity

32°F to 140°F
(0°C to 60°C)
0-90% Non Condensing

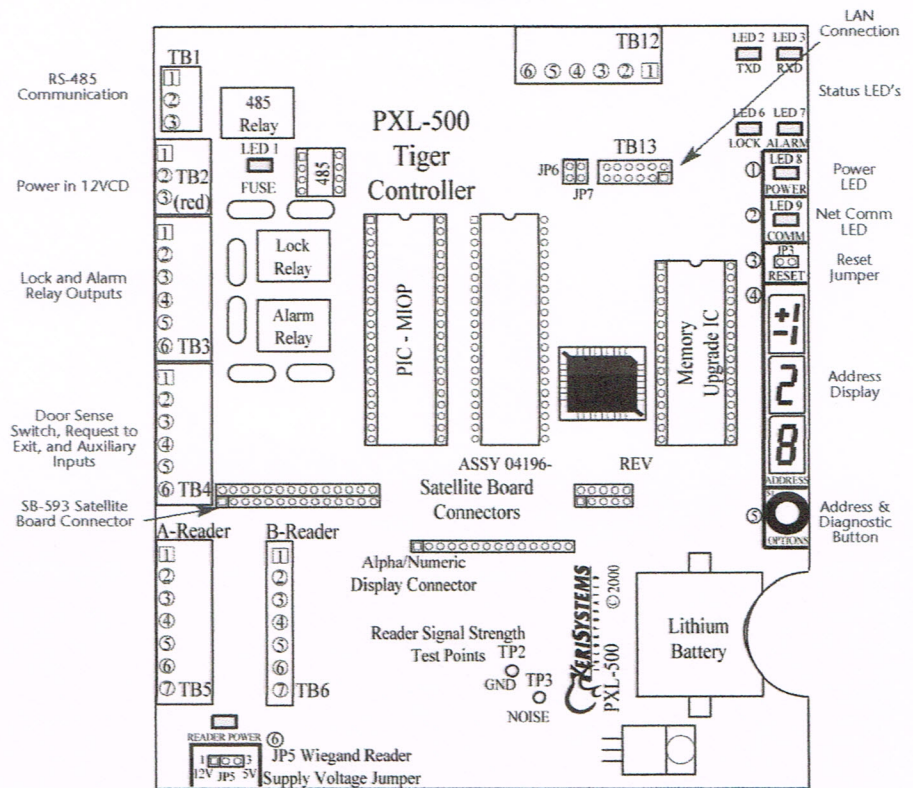
Communication

Between Controllers: RS-485, 9600 Baud
PC to Master: RS-232

Lithium Battery

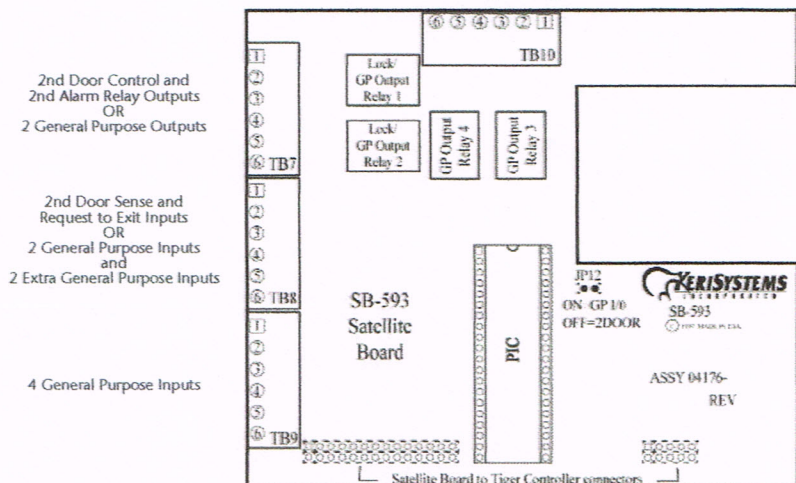
5 Years Memory Retention

PXL-500



SB-593

2 General Purpose Outputs



Presented By:

