

# CHASE



**#48600R028692**  
**Perkins Rd**  
**3759 Perkins Rd**  
**Baton Rouge, LA 70808-2950**



4444 Federal Blvd. San Diego CA 92102  
Phone: (619) 527-6100 / Fax: (619) 527-6111  
signtech.com



**JP Morgan Chase Bank**  
**#48600R028692**

Perkins Rd  
3759 Perkins Rd  
Baton Rouge, LA 70808-2950

Initial Date: 08/06/25  
Salesperson: Arthur Navarro  
Coordinator: Melissa Lares  
Designer: gmcclung  
Scale: As noted

### CUSTOMER APPROVAL

Customer Signature \_\_\_\_\_ Date \_\_\_\_\_  
**COPY, COLORS & SIZES**

Signtech does NOT provide primary  
electrical to sign location -  
**RESPONSIBILITY OF OTHERS!**

Customer Signature \_\_\_\_\_ Date \_\_\_\_\_  
This design is the exclusive property of Signtech  
and cannot be reproduced in whole or in part,  
without their prior written approval.

Drawing Number: 25-01688

Project ID: CHASE\_48600R028692\_1

Revision:

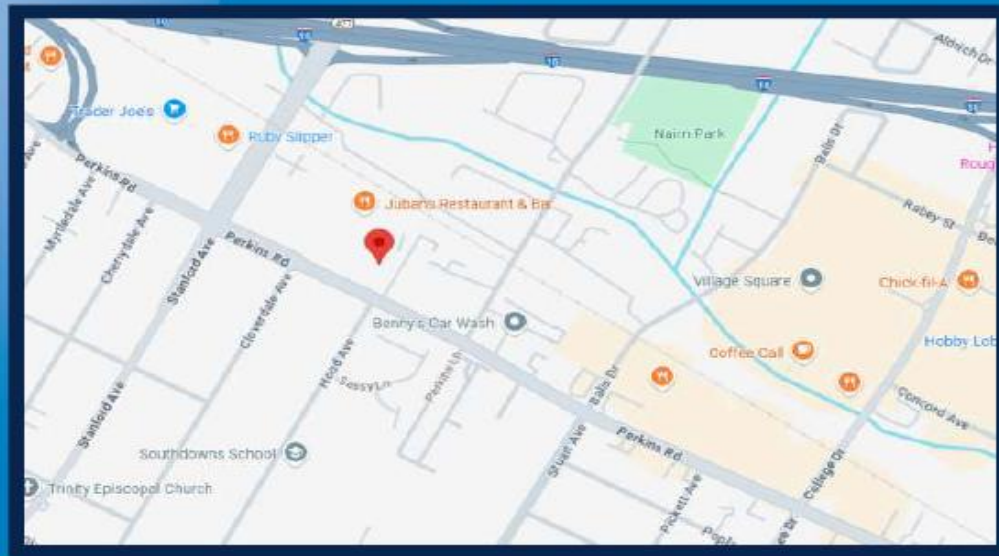
### CODE CHECK LEGEND

DATE OF CODE CHECK:	07/25/2025
MAXIMUM SIGNAGE SQUARE FOOTAGE:	N/A
TOTAL SIGNAGE SQUARE FOOTAGE:	25.61 SQ. FT.

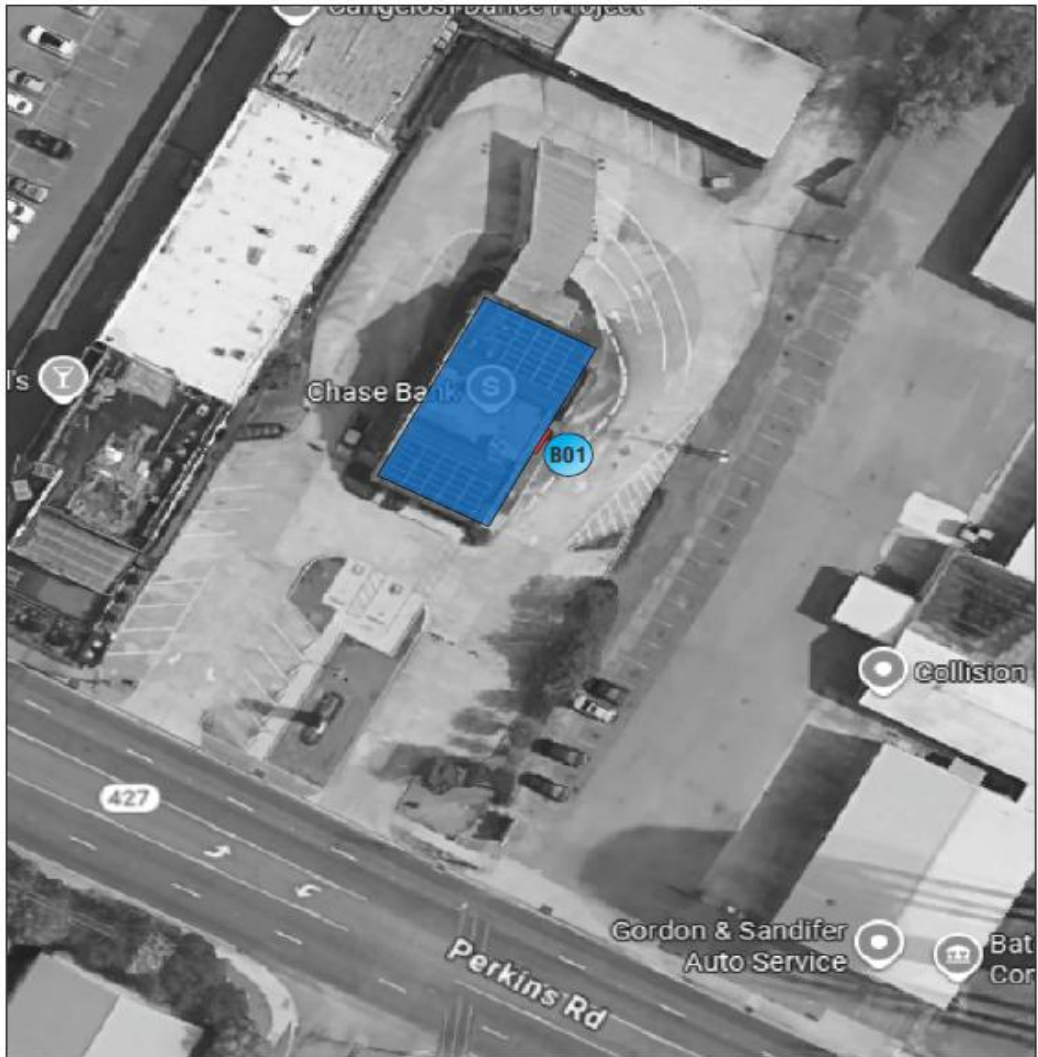
### NOTES:

**MAXIMUM SIGNAGE SQ. FT. NOT CALCULATED IN CODES. SUBMIT PERMITS FOR THE APPROVAL.**

### REVISION NOTES:



EXTERIOR SCOPE OF WORK - REPLACEMENT/NEW SIGNS			
SIGN ID	ELEVATION	SIGN TYPE	DESCRIPTION
B01	East	LIF-R-WBO-20	20" White Channel Letters and Logo w/ Raceway



**SITE PLAN**                      **SCALE: NTS**



**Signtech™**

4444 Federal Blvd. San Diego CA 92102  
 Phone: (619) 527-6100 / Fax: (619) 527-6111  
 signtech.com



**JP Morgan Chase Bank**  
**#48600R028692**

Perkins Rd  
 3759 Perkins Rd  
 Baton Rouge, LA 70808-2950

Initial Date: 08/06/25  
 Salesperson: Arthur Navarro  
 Coordinator: Melissa Lares  
 Designer: gmcluna  
 Scale: As noted

**CUSTOMER APPROVAL**

Customer Signature \_\_\_\_\_ Date \_\_\_\_\_  
**COPY, COLORS & SIZES**

Signtech does NOT provide primary electrical to sign location -  
**RESPONSIBILITY OF OTHERS!**

Customer Signature \_\_\_\_\_ Date \_\_\_\_\_  
 This design is the exclusive property of Signtech and cannot be reproduced in whole or in part, without their prior written approval.

Drawing Number: 25-01688

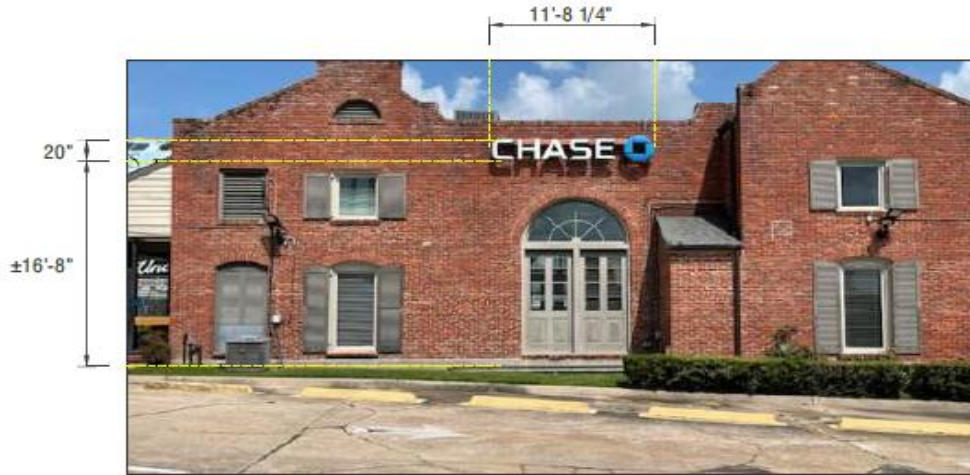
Project ID: CHASE\_48600R028692\_1

Revision:

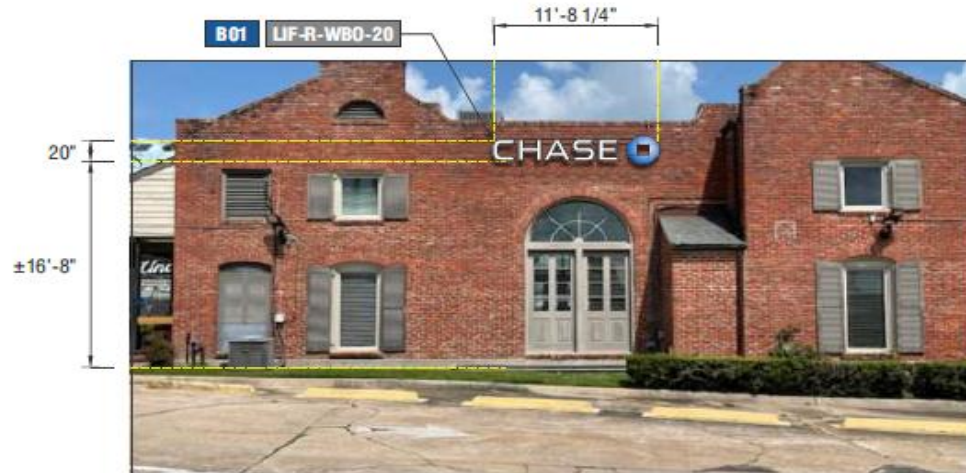
**Sign Legend / Site Plan**

ELEVATION/MATERIALS - ALLOWABLE  
SCALE: 3/32" = 1'-0"

**SIGNAGE OVERVIEW - ALLOWED**



**EXISTING EAST ELEVATION**



**PROPOSED EAST ELEVATION**



**Signtech™**

4444 Federal Blvd. San Diego CA 92102  
Phone: (619) 527-6100 / Fax: (619) 527-6111  
signtech.com



**JP Morgan Chase Bank  
#48600R028692**

Perkins Rd  
3759 Perkins Rd  
Baton Rouge, LA 70808-2950

Initial Date: 08/06/25  
Salesperson: Arthur Navarro  
Coordinator: Melissa Lares  
Designer: qmcclung  
Scale: As noted

**CUSTOMER APPROVAL**

Customer Signature \_\_\_\_\_ Date \_\_\_\_\_

**COPY, COLORS & SIZES**

Signtech does NOT provide primary  
electrical to sign location -  
**RESPONSIBILITY OF OTHERS!**

Customer Signature \_\_\_\_\_ Date \_\_\_\_\_

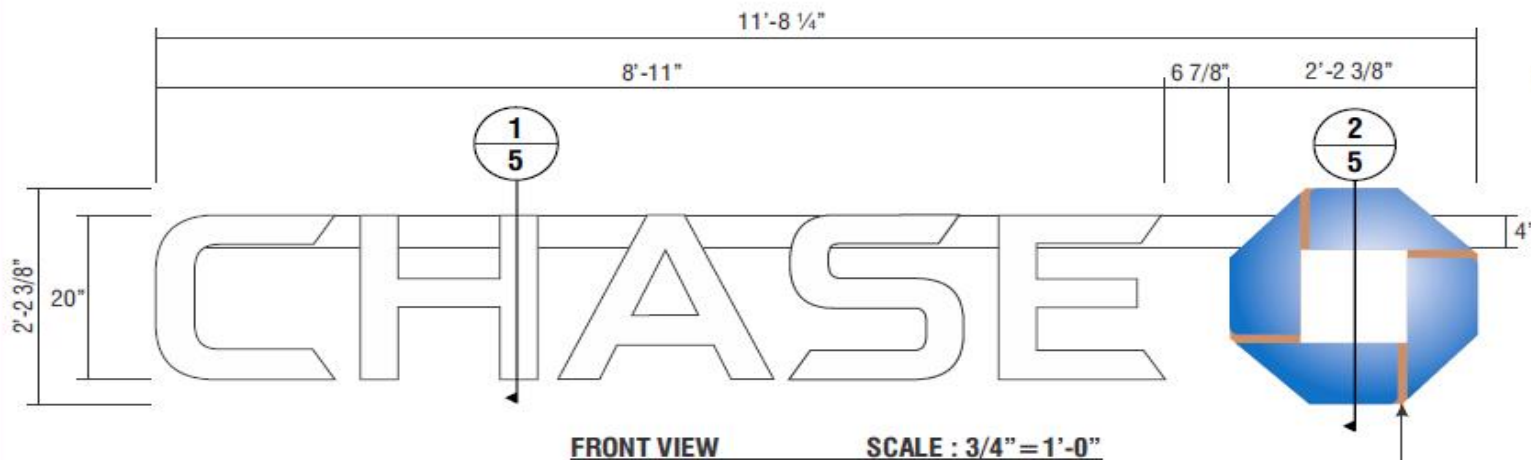
This design is the exclusive property of Signtech  
and cannot be reproduced in whole or in part,  
without their prior written approval.

Drawing Number: 25-01688

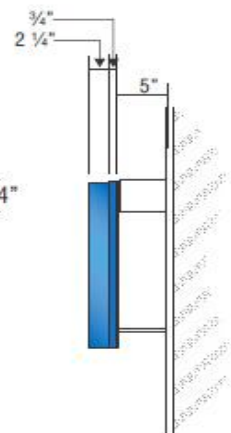
Project ID: CHASE\_48600R028692\_1

Revision:

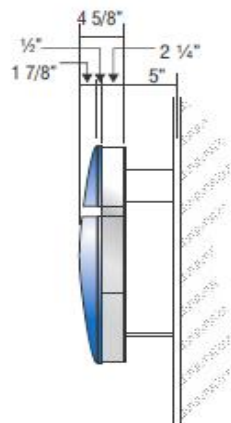
**Exterior Elevations**



**FRONT VIEW SCALE : 3/4" = 1'-0"**

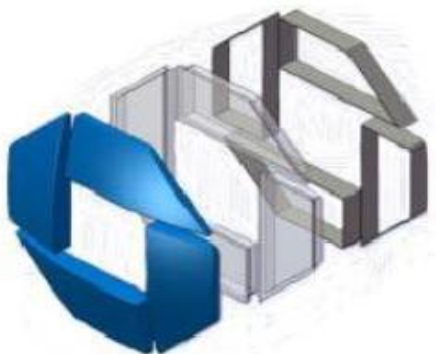


**ENDVIEW OF LETTER SCALE : 3/4" = 1'-0"**



**ENDVIEW OF LOGO SCALE : 3/4" = 1'-0"**

BRIDGE TO BE PAINTED TO MATCH WALL COLOR



**3D VIEW OF OCTAGON**

**B01**

**SIGN TYPE LIF-R-WBO-20**

**MANUFACTURE AND INSTALL ONE (1) NEW SET(S) OF ILLUMINATED LETTERS & LOGO w/ PLEX FACES & RETURNS**

**LETTERS:**  
**FACE:** .177" ARISTECH #7328 P-95 WHITE PLEX (MATTE SIDE TO BE 1ST SURFACE) CHEM WELDED TO RETURNS  
**RETURNS:** 0.118" x 3" DEEP ARISTECH #6046 BLUE WITH 3635-70 DIFFUSER VINYL ON 2ND (INTERIOR) SURFACE.  
**BACKS:** .080" ALUM BACK WITH 3/4" x .080" OUTSIDE ALUM RETURN AND 1/2" x 1/8" ALUM ANGLE CLIPS ON INTERIOR OF LETTER FOR FACE ATTACHMENT  
**PAINT:** EXTERIOR PAINTED MATTHEWS MP-00366 CHASE BLUE SEMI-GLOSS FINISH (60-70 UNITS) AND INTERIOR PAINTED SPRAY-LAT STAR BRITE WHITE LIGHT ENHANCEMENT PAINT.  
**ILLUMINATION:** 7100°K WHITE PRINCIPAL SLOAN PRISM 24 #701269-7W24SJ1-MB AND SLOAN POWER SUPPLY REQUIRED FOR PROPER EVEN ILLUMINATION.

**LOGO:**  
**BACKS:** .080" ALUM BACK WITH STACK WELDED 3" x .080" ALUM RETURNS.  
**LOGO CAN FACE:** .080" ALUM BRIDGE ELEMENTS WELDED TO INSIDE & OUTSIDE RETURNS  
**PLEX FACE:** .118" THERMO FORMED ARISTECH #6046 BLUE LOGO ELEMENTS CHEM WELDED TO 3/4" CLEAR PLEX 2ND SURFACE FACES.  
**PAINT:** EXTERIOR PAINT MATTHEWS "CHASE NICKEL" #MP-19891 GLOSS FINISH AND INTERIOR PAINTED SPRAY-LAT STAR BRITE WHITE LIGHT ENHANCEMENT PAINT.  
**ILLUMINATION:** BLUE PRINCIPAL SLOAN PRISM 24 #701269-BL24SJ1-MB AND SLOAN POWER SUPPLY AS REQUIRED FOR PROPER EVEN ILLUMINATION  
**RACEWAY:** .063" BRAKE FORMED ALUM. RACEWAY, SIGNTech LIBRARY 1014A  
**RW PAINT :** PAINT RACEWAY TO MATCH BUILDING COLOR - ??? (COLOR TO FOLLOW)

**ATTACHMENT:** LOWER PORTION OF LETTERS TO HAVE #10, TEK SCREWS AND SPACERS ATTACH TO WALL  
**SPACERS PAINT :** SPACERS PAINTED TO MATCH BUILDING COLOR - ??? (COLOR TO FOLLOW)

**ELECTRICAL REQUIREMENTS FOR LED ILLUMINATION**  
 As required by standard #2161, Signtech Electrical Advertising, Inc., exclusively uses secondary Ground fault-Interrupted (GFI) transformers.  
 Each Sign MUST have: - A dedicated branch circuit  
 - Three wires: Line, Ground, and Neutral.  
 - Wire Size: Min 12 GA THHN Copper Wire.  
 NOTE: The gauge of the wire is dictated by the length of the run & amperage as per NEC Article 600.  
 - The ground wire must be continuous & go from the sign to the panelboard ground bus.  
 - Voltage between ground and neutral should measure no more than 3 volts.  
 - Power to the sign must be done by a licensed electrical contractor or licensed electrician.



**Signtech™**

4444 Federal Blvd. San Diego CA 92102  
 Phone: (619) 527-6100 / Fax: (619) 527-6111  
 signtech.com



**JP Morgan Chase Bank #4860R028692**

Perkins Rd  
 3759 Perkins Rd  
 Baton Rouge, LA 70808-2950

Initial Date: 08/06/25  
 Sales person: Arthur Navarro  
 Coordinator: Melissa Lares  
 Designer: qmcclung  
 Scale: As noted

**CUSTOMER APPROVAL**

Customer Signature \_\_\_\_\_ Date \_\_\_\_\_  
**COPY, COLORS & SIZES**

Signtech does NOT provide primary electrical to sign location - **RESPONSIBILITY OF OTHERS!**

Customer Signature \_\_\_\_\_ Date \_\_\_\_\_  
 This design is the exclusive property of Signtech and cannot be reproduced in whole or in part, without their prior written approval.

Drawing Number: 25-01688

Project ID: CHASE\_4860R028692\_1

Revision:





# Signtech™

4444 Federal Blvd. San Diego CA 92102  
Phone: (619) 527-6100 / Fax: (619) 527-6111  
signtech.com



### JP Morgan Chase Bank #48600R028692

Perkins Rd  
3759 Perkins Rd  
Baton Rouge, LA 70808-2950

Initial Date: 08/06/25  
Salesperson: Arthur Navarro  
Coordinator: Melissa Lares  
Designer: amclung  
Scale: As noted

#### CUSTOMER APPROVAL

Customer Signature \_\_\_\_\_ Date \_\_\_\_\_  
**COPY, COLORS & SIZES**

Signtech does NOT provide primary electrical to sign location - **RESPONSIBILITY OF OTHERS!**

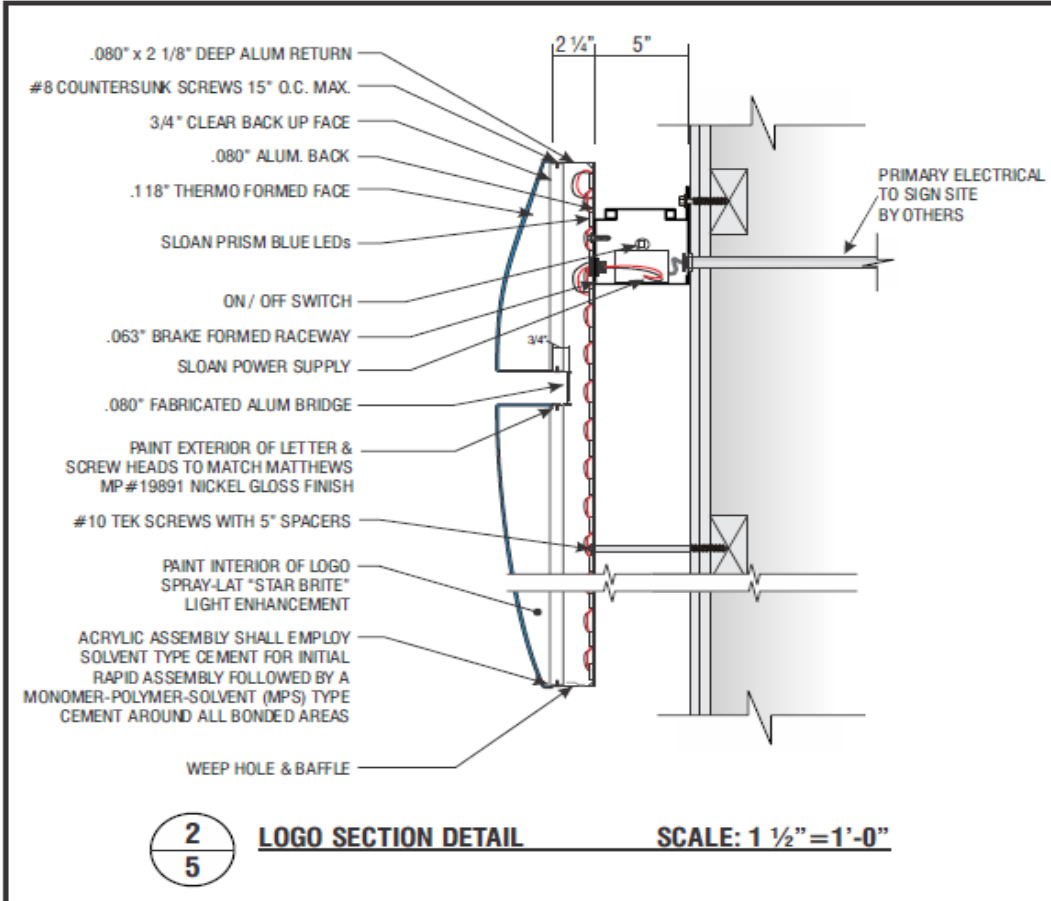
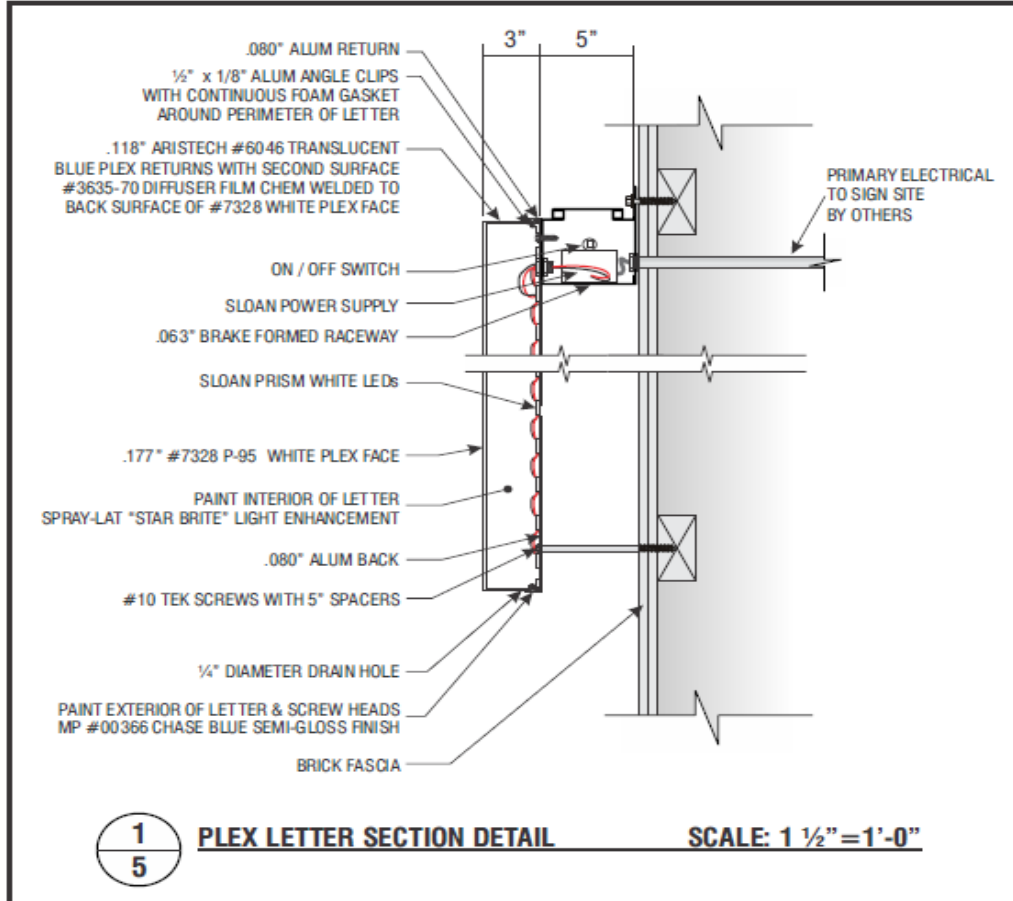
Customer Signature \_\_\_\_\_ Date \_\_\_\_\_

This design is the exclusive property of Signtech and cannot be reproduced in whole or in part, without their prior written approval.

Drawing Number: 25-01688

Project ID: CHASE\_48600R028692\_1

Revision:



## TOP PENETRATIONS / RW

