

PROJECT SCHEDULE

SIGN TYPE/ DESCRIPTION:	QTY.:	PG.
A. ILLUM. FACE-LIT CHANNEL LETTERS ON 'MAGENTA' BACKER	ONE (1)	3

PROJECT:



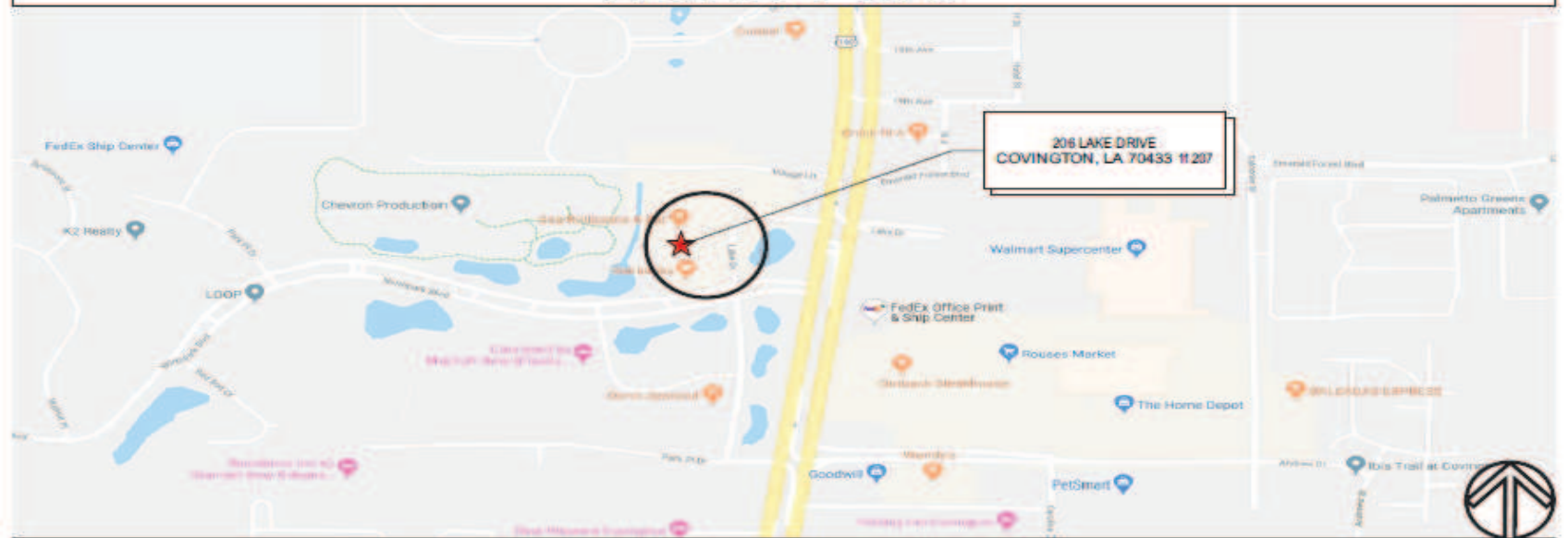
STORE # 8395

COVINGTON & HWY 190
206 LAKE DRIVE
COVINGTON, LA 70433

REVISIONS

#	DATE	DB	NOTES

VICINITY MAP



TRIANGLE
SIGN SERVICES

LEAD # 185266R1

11 AZAR COURT
P.O. BOX 24186
BALTIMORE, MARYLAND 21227
T: 410-247-5300
F: 410-247-1944
WWW.TRIANGLESIGN.COM

T-Mobile

ADDRESS #8395
COVINGTON & HWY 190
206 LAKE DRIVE
COVINGTON, LA 70433

PAGE #
2 of 5

CLIENT SIGNATURE

DATE

8.29.2019

PM

T. STALEY

APPROVAL DATE

DESIGN

JWW

FILE NAME

185266R1 TMOBILE 8395 COVINGTON
HWY 190 COVINGTON LA 70433

REVISIONS

DATE:

DESCRIPTION:

STOREFRONT - PHOTO RENDERING

1

SCALE: 1/4"=1'



EXISTING

REMOVE EXISTING
REMOTE CH LTRS

ILLUM. FACE-LIT 'WHITE' CHLTRS
on 'MAGENTA' BACKER

SIGN
A



PROPOSED

THIS AREA (REPRESENTED BY A DASHED LINE)
SEAL HOLES FROM SIGN REMOVAL

- *This sign is design to withstands 130 MPH wind load.
- *This sign will contain a UL label
- *This is to be installed using 3/8" thru-bolts or appropriately sized fastners as necessary.



DAMMON
ENGINEERING, INC.

LOUISIANA & MISSISSIPPI
8101 Louisiana
P.O. Box 440-9322 Fax 504-811-0300
www.dammonengineering.com
info@dammonengineering.com

TRIANGLE
SIGN SERVICES

LEAD # 185266R1

11 AZAR COURT
P.O. BOX 24186
BALTIMORE, MARYLAND 21227
T: 410-247-5300
F: 410-247-1944
WWW.TRIANGLESIGN.COM

T-Mobile

ADDRESS #8395
COVINGTON & HWY 190
206 LAKE DRIVE
COVINGTON, LA 70433

PAGE #
3 of 5

CLIENT SIGNATURE	DATE	REVISIONS	
	8.29.2019	DATE:	DESCRIPTION:
	PM		
	T. STALEY		
DESIGN	JWW		
FILE NAME	185266R1_TMOBILE_8395_COVINGTON HWY 190_COVINGTON LA_70433		
APPROVAL DATE			

24" CH LTRS

ILLUM. FACE-LIT 'WHITE' CH LTRS on 'MAGENTA' BACKER

A

SCALE: 3/4"=1'-0"

QTY.: ONE (1)

AREA: 33.75' x 129.875' = 36.4' ²



TYP. FRONT A.1



TYP. SIDE A.2

*This sign is design to withstands 130 MPH wind load.

*This sign will contain a UL label

*This is to be installed using 3/8" thru-bolts or appropriately sized fastners as necessary.

#247 WHITE AUTOGLASS OREQUAL	WHITE SATIN	MATTHEWS MAGENTA M688ES R155445 N SEMI GLO V1.0 OVER M655686 WHITE BASE COAT

DAMMON
ENGINEERING, INC.

LOUISIANA & MISSISSIPPI
81641 Louisiana
P: 504-610-5032 Fax: 504-611-5300
www.dammonengineering.com
info@dammonengineering.com

TRIANGLE
SIGN SERVICES

LEAD # 185266R1

11 AZAR COURT
P.O. BOX 24186
BALTIMORE, MARYLAND 21227
T: 410-247-5300
F: 410-247-1944
WWW.TRIANGLESIGN.COM

T-Mobile

ADDRESS #6395
COVINGTON & HWY 190
206 LAKE DRIVE
COVINGTON, LA 70433

PAGE #
4 of 5

CLIENT SIGNATURE

DATE

8.29.2019

PM

T. STALEY

APPROVAL DATE

DESIGN

JWW

FILE NAME

185266R1 T-MOBILE SIGN COVINGTON
HWY 190 COVINGTON LA 70433

REVISIONS

DATE:

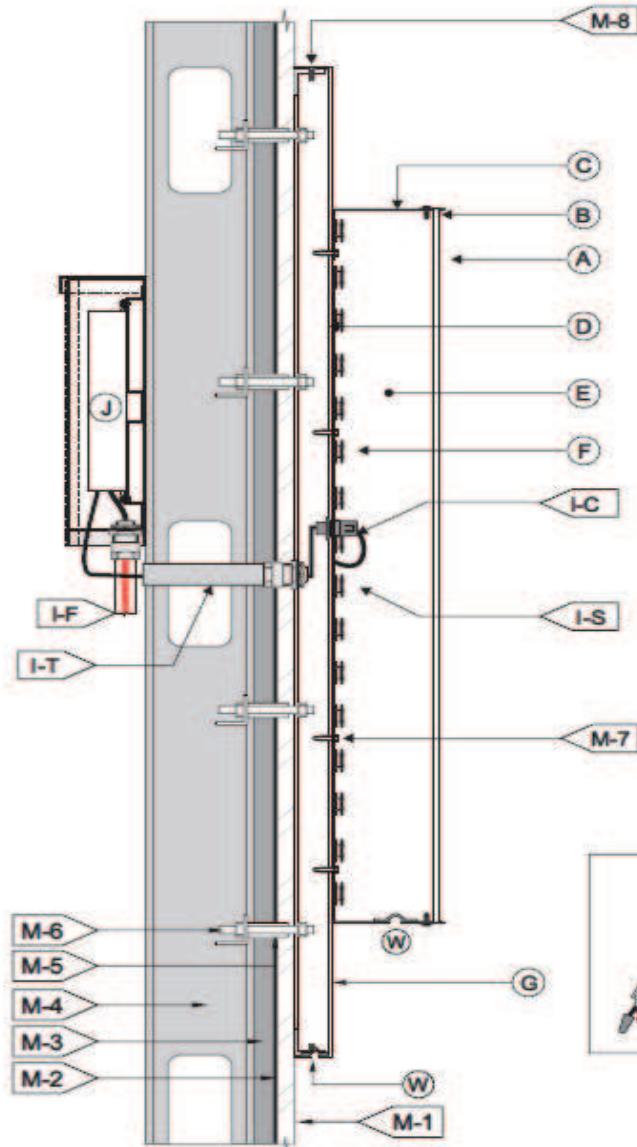
DESCRIPTION:

REPRODUCTION IN WHOLE OR PART PROHIBITED WITHOUT EXPRESS PERMISSION OF TRIANGLE SIGN SERVICE

ILLUM. FACE-LIT 'WHITE' CH LTRS on 'MAGENTA' BACKER - SECTION DETAIL

A-1

SCALE: NTS



(A) FACE	MATERIAL:	3/16" #2447 'WHITE' AUTOGLASS OR EQUAL ACRYLIC
	VINYL:	N/A
	COLOR INFO:	N/A
(B) TRIM CAP	SIZE / FINISH	1" / MATCH RETURNS
(C) RETURNS	DEPTH:	3"
	MATERIAL:	ALUM. .040
	COLOR / FINISH	WHITE / SATIN
(D) BACKS	MATERIAL:	3MM ACM
	COLOR / FINISH	WHITE / SATIN
(E) INSIDE OF CAN	COLOR:	PRE-COAT WHITE
(F) ILLUMINATION	TYPE:	LEDS
	COLOR:	6500K - WHITE
	F-1	ALL WIRES TO BE TERMINATED W/ A MECHANICAL UL LISTED FASTENER
(G) BACKER	MATERIAL:	1/8" ALUM. w/ 1" BRAKE-FORMED RETURNS
	FRAME:	1" x 1" x 3/16" ALUM. ANGLE, WELDED FRAME
	NOTE:	VERTICAL ALUM. BARS, WELDED FOR STABILITY
	COLOR:	MATTHEWS MAGENTA Mp66055 R 155445
	FINISH:	N SEMI-GLO V1.0 OVER Mp65896 - WHITE BASECOAT
(W) WEEP HOLES		1/4" DIA. WITH COVER

(I) WIRING	I-C:	7/8" DIA. HOLE @ LEXAN W/ PAIGE WALL BUSTER CONNECTOR & CONDUIT.
	I-F:	TO 120V FEED
	I-S:	U.L. APPROVED CLASS II LOW VOLTAGE WIRING
	I-T:	LIQUID TIGHT
	I-J:	JUNCTION BOX
(J) POWER SUPPLY	TYPE:	LOW VOLTAGE U.L. APPROVED LED POWER SUPPLY HOUSE IN BACKER PANEL
	VOLTAGE:	120V
(K) HOLD CLOSE	K-1:	.080" ALUM. BRAKE-FORMED PANEL
	K-2:	1" x 2" ALUM. TUBE, WELDED
	K-3:	3/16" POP RIVETS (HOLD TUBE FRAME TO FACE)
	K-4:	3/16" POP RIVETS (HOLD BACKS TO GUSSETS)
	K-5:	3" x 3" x 1/8" GUSSETS
	K-6:	1/8" ALUM. BRAKE-FORMED BACK (1 7/8")
	K-7:	TEK SCREWS, MIN. 1 1/2" LENGTHS
(M) MOUNTING		SEE MOUNTING NOTE.
	M-1:	EXISTING E.F.I.S. WALL SYSTEM.
	M-2:	EXISTING SHEATHING
	M-3:	EXISTING 5/8" PLYWOOD
	M-4:	METAL STUDS
	M-5:	CRUSH-PROOF PVC SPACER FOR E.F.I.S. SYSTEM.
	M-6:	MIN. 3/8" DIA. BOLTS, NUTS, & ANGLE BLOCKING
	M-7:	SELF-TAPPING SCREWS
	M-8:	FLAT-HEAD MECHANICAL FASTENERS, MATCH BKGRD

120V

NOTE: A LOCK SHUT OFF THE PANEL BOX FOR WEATHERING & SAFETY CONFORMANCE.

NOTE: MANUFACTURER'S & UL LABELS APPLIED & VISIBLE FROM GROUND LEVELS ON GUSSET TOP (AT MINIMUM) OPEND OF BOX SIGN OR END OF THE SIGN BOX.

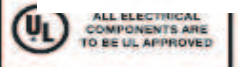
INSTALLATION NOTES:	ELECTRICAL NOTES:
1. CUSTOMER O.C. TO PROVIDE ADEQUATE WOOD OR WEL-BLOCKING IN ORDER FOR W/ BRACKS FRAMING AS REQUIRED.	1. ALL ELEC. COMPONENTS TO BE U.L. APPROVED.
2. INSTALLER IS TO V/LF & PROVIDE THE PROPER NON-CORROSIVE MOUNTING HARDWARE TO ENSURE SAFE INSTALLATION.	2. CUSTOMER IS RESPONSIBLE FOR ONE (1) 120V DEDICATED CIRCUIT w/ GROUND PER SIGN (WITHIN 1' OF SIGN).
3. ALL EXTERIOR FACADE PENETRATIONS TO BE WATER-TIGHT.	3. LOCKOUT SWITCH INSTALLED @ PANEL BOX FOR ALL ELEC. BONES.
4. INSTALLATION TO MEET CURRENT N.E.C., U.L. & LOCAL CODES.	4. INSTALL IN ACCORDANCE w/ N.E.C. ARTICLE 600 & OR LOCAL CODES. THIS INCLUDES PROPER GROUNDING & BONDING OF SIGN.

*This sign is design to withstands 130 MPH wind load.

*This sign will contain a UL label

*This is to be installed using 3/8" thru-bolts or appropriately sized fasteners as necessary.

DAMMON ENGINEERING, INC.
 LOUISIANA & MISSISSIPPI
 1101 PINE BLVD. SUITE 1000
 MONROE, LA 70001-1000
 (504) 235-0000
 www.dammonengineering.com
 info@dammonengineering.com



TRIANGLE SIGN SERVICES

11 AZAR COURT
 P.O. BOX 24186
 BALTIMORE, MARYLAND 21227
 T: 410-247-5300
 F: 410-247-1944
 WWW.TRIANGLESIGN.COM

T Mobile

ADDRESS #8395
 COVINGTON & HWY 190
 206 LAKE DRIVE
 COVINGTON, LA 70433

PAGE 5
 5 of 5

CLIENT SIGNATURE	DATE	8.29.2019	REVISIONS
T. STALEY	PM		DATE: DESCRIPTION:
APPROVAL DATE	DESIGN	.JWW	
	FILE NAME		