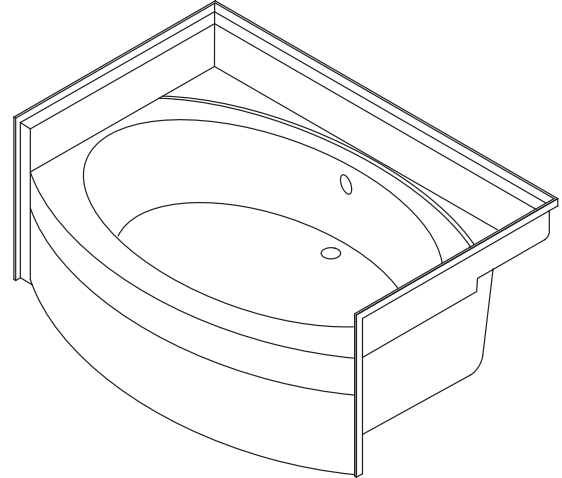


FEATURES

- 60" x 42-1/2" x 17-1/2"
- Fiberglass (FRP)
- Spacious oval bathing well
- Stylish round apron front
- Integral nailing flanges
- Molded-in floor texture



CODES/STANDARDS APPLICABLE

Specified model meets or exceeds the following:

- ANSI Z124.1
- IAPMO/UPC
- Canadian Standards Association (CSA)

COLORS/FINISHES

- 0 White
- Other Refer to Fixtures Price Book for additional colors

Accessories:

- CP Polished Chrome
- PB Polished Brass
- Other Refer to Faucets Price Book for additional finishes

SPECIFIED MODEL:

Model	Description	Colors/Finishes	
K-1670	Oval bath	<input type="checkbox"/> 0 White	<input type="checkbox"/> Other_____

Recommended Accessories			
K-7161-AF	Drain	<input type="checkbox"/> CP	<input type="checkbox"/> PB <input type="checkbox"/> Other_____

PRODUCT SPECIFICATION:

The bath shall be 60" in length, 42-1/2" in width, and 17-1/2" in height. Bath shall be made of fiberglass (FRP). Bath shall have spacious oval bathing well. Bath shall have stylish round apron front. Bath shall have integral nailing flange. Bath shall have molded-in floor texture. Bath shall be Kohler Model K-1670-_____.

LAKWOOD™

PRODUCT INFORMATION

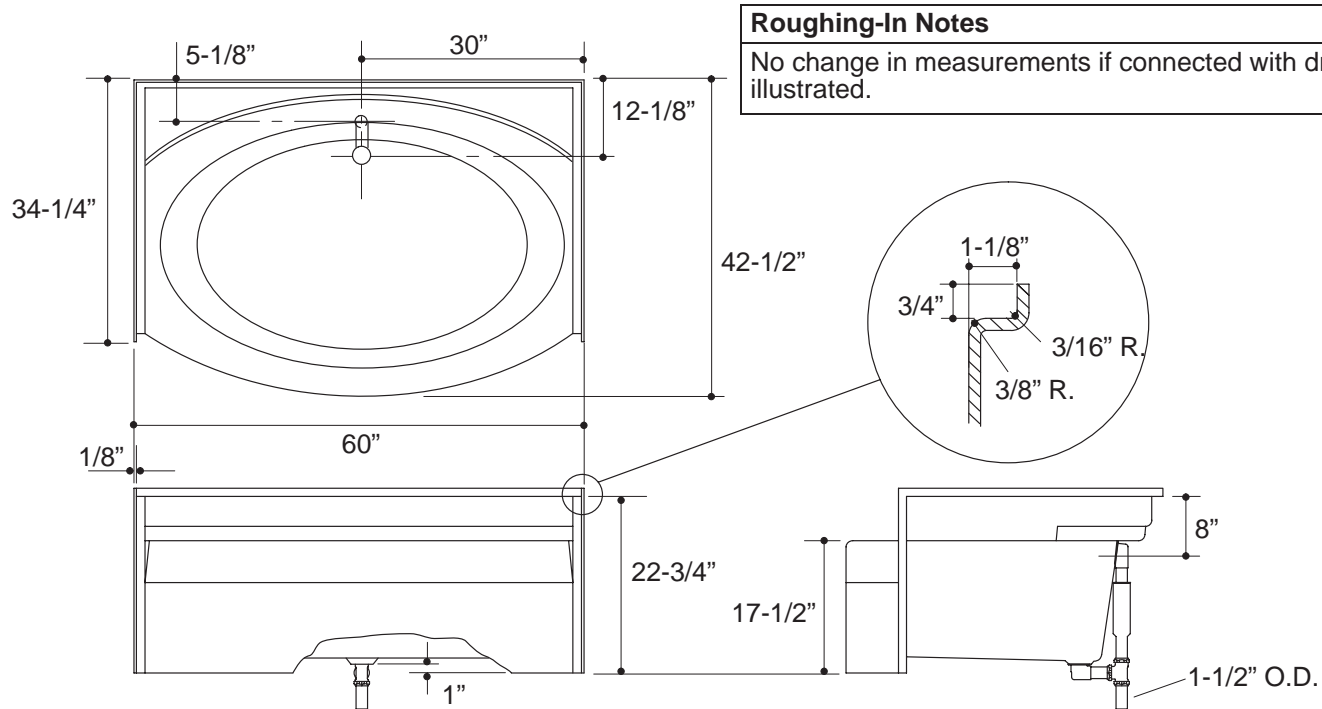
Fixture*:	basin area	top area	weight
Bathing well	43" x 28"	52" x 32"	91 lbs.
	water depth	capacity	
To overflow	13"	55 gals.	

* Approximate measurements for comparison only.

INSTALLATION NOTES

If installing a rim-mount faucet, make sure there is no interference with drain overflow before drilling any holes. Consult local and national codes for minimum air gap requirements if installing a spout on the faucet deck.

NOTICE: Unless otherwise specified, floor support under bath must provide for a minimum of 80 lbs./square foot loading.



Roughing-In Notes
No change in measurements if connected with drain illustrated.

1.25>132

PRODUCT DIAGRAM