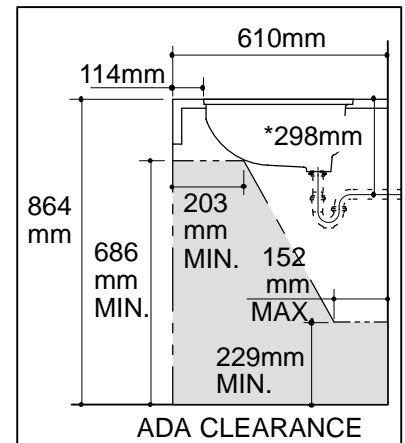
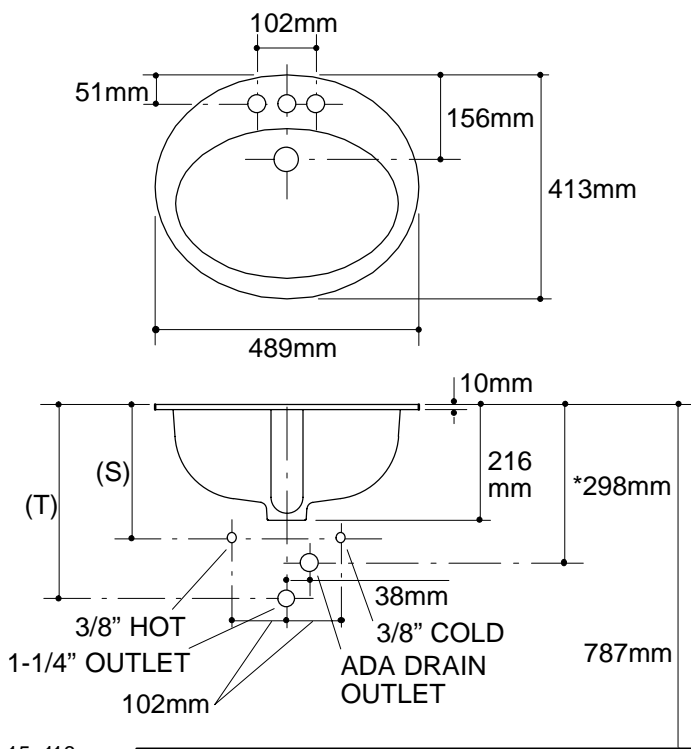


Ordering Information

Applicable product:		
102mm centers lavatory	K-2900-4	shown
Accessories/hardware:		
Metal frame	K-6683	required
Trap	K-8998	recommended

Product Information

ADA compliant.			
Fixture*:		basin area	water depth
Lavatory		406 x 279mm	127mm
Outlet	Ø43mm		
* Approximate measurements for comparison only.			
Holes	K-2900-4		
Spout	Ø30mm		
Faucet	Ø30mm		
Included Components:			
Overflow ferrule			44071



Roughing-In Notes

Fixture dimensions are nominal and conform to tolerances in ASME/ANSI Standard A112.19.1M.

*Based on K-8998, with 25mm of tailpiece exposed.

(T) Pop-up drain 359mm, grid drain 337mm.

(S) 254mm (Based on 305mm riser which may require cutting).

Cutout metal frame required.

1.15>116