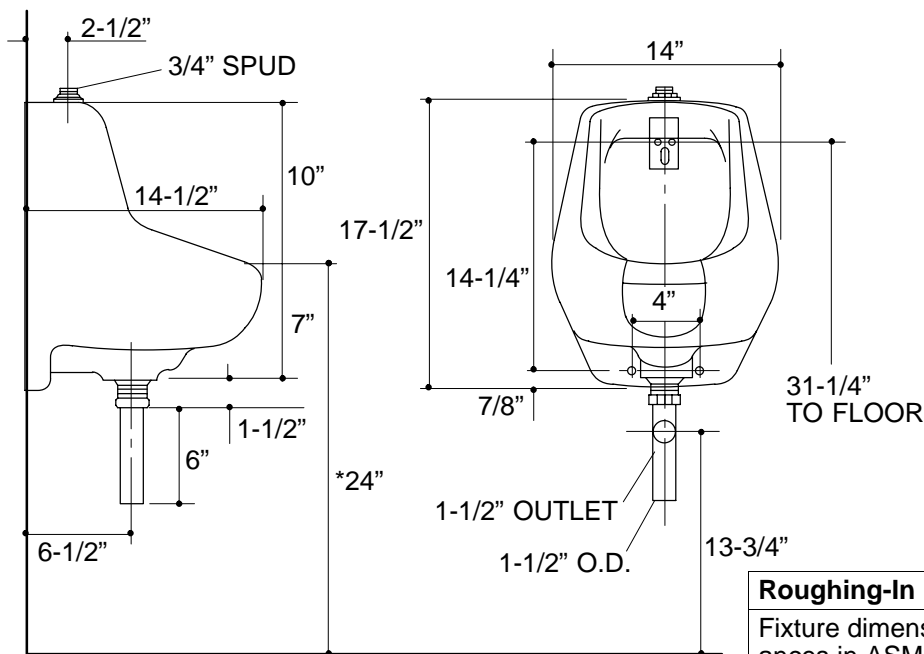


## Ordering Information

Accessories/hardware:		
1-1/2" trap	K-9000	optional

## Product Information

<b>ADA compliant.</b>	
Fixture:	
Configuration	Top spud
Gallons per flush	1 gallon*
Spud inlet size	3/4"
* Designed to flush with one gallon of water when installed with a water saving flush valve.	
Included Components:	
3/4" inlet spud	18376
1-1/2" outlet spud	18357
Strainer	85062
1-1/2" tailpiece	38530
Hanger (1 required)	64512
Flush valve requirements: Refer to manufacturer's instructions and local codes.	



### Roughing-In Notes

Fixture dimensions are nominal and conform to tolerances in ASME Standard A112.19.2M.

\*Urinal complies with ADA requirement when rim is mounted no higher than 17" from finished floor.

1.25>116

**K-5024-T Darfield™ Urinal**  
105119-1-BA (A)

**KOHLER®**