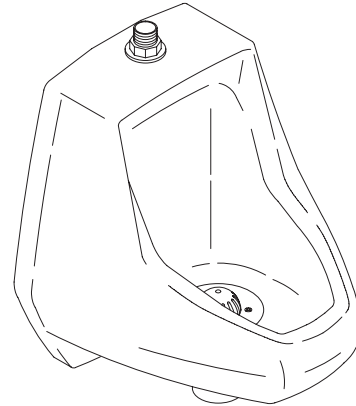


K-5024-T

ADA



FEATURES

- Vitreous china
- Washout
- 3/4" top spud
- 1.0 gallon flush
- ADA compliant when rim is mounted no higher than 17" from finished floor

CODES/STANDARDS APPLICABLE

Specified model meets or exceeds the following:

- ADA when rim is mounted no higher than 17" from finished floor
- ASME/ANSI A112.19.2M
- ASME/ANSI A112.19.6M
- CABO/ANSI A117.1
- Energy Policy Act of 1992 (EPACT)
- IAPMO/UPC
- CSA International B45
- States of Massachusetts, New York, & Texas
- City of Los Angeles, CA

COLORS/FINISHES

- 0 White
- Other Refer to Fixtures Price Book for additional colors

Accessories:

- G Brushed Chrome

SPECIFIED MODEL:

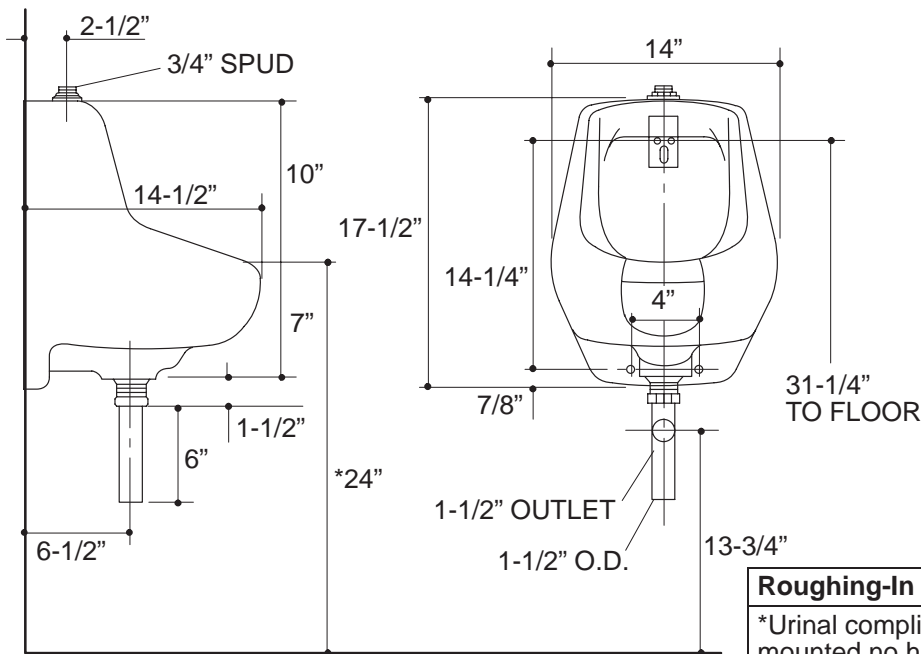
Model	Description	Colors/Finishes	
K-5024-T	3/4" top spud urinal	<input type="checkbox"/> 0 White	<input type="checkbox"/> Other_____
Optional Accessories			
K-13686	Touchless battery-powered urinal flush valve, fixture mounted	<input type="checkbox"/> G	

PRODUCT SPECIFICATION:

The washout urinal shall be made of vitreous china with a 3/4" top spud. Urinal shall be 1.0 gallon flush. Urinal shall be ADA compliant when rim is mounted no higher than 17" from finished floor. Urinal shall be Kohler Model K-5024-T-_____.

PRODUCT INFORMATION

ADA compliant.	
Fixture:	
Configuration	Top spud
Gallons per flush	1 gallon*
Spud inlet size	3/4"
* Designed to flush with one gallon of water when installed with a water saving flush valve.	
Included Components:	
3/4" inlet spud	18376
1-1/2" outlet spud	18357
Strainer	85062
1-1/2" tailpiece	38530
Hanger (1 required)	64512
Flush valve requirements: Refer to manufacturer's instructions and local codes.	



Roughing-In Notes

*Urinal complies with ADA requirement when rim is mounted no higher than 17" from finished floor.

1.25>116

PRODUCT DIAGRAM