

**LAVATORY FAUCET  
K-13328-5**

**ADA**

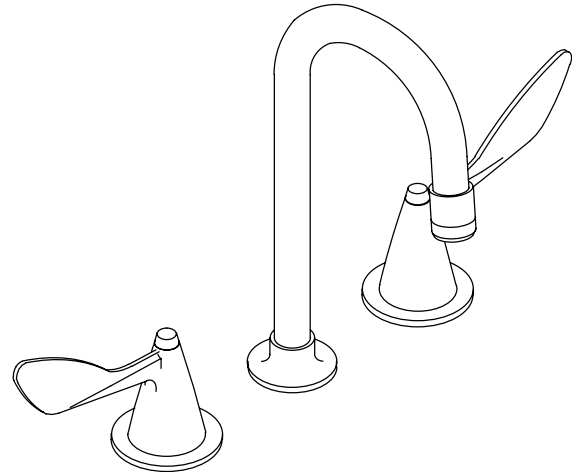
**FEATURES**

- Brass construction
- 8" rigid connections
- Brass valve bodies
- Quarter-turn washerless ceramic disc valves
- 5-1/4" gooseneck spout
- 2.0 gallons per minute
- Wristblade handles

**CODES/STANDARDS APPLICABLE**

Specified model meets or exceeds the following:

- ASME/ANSI A112.18.1M
- Energy Policy Act of 1992
- IAPMO/UPC
- NSF 61



**COLORS/FINISHES**

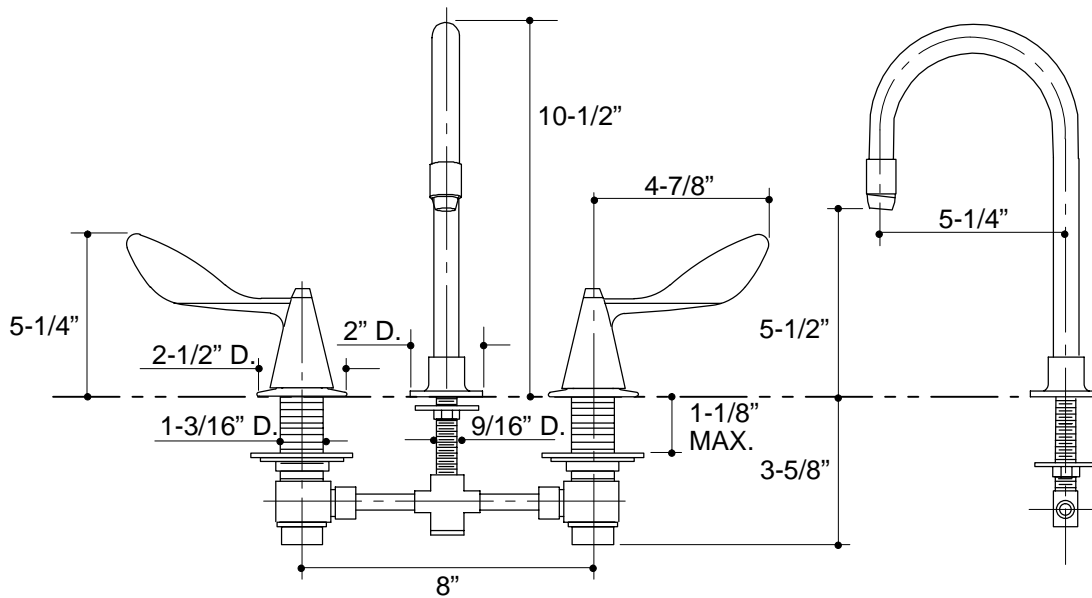
- CP Polished Chrome

**SPECIFIED MODEL:**

Model	Description	
K-13328-5	Finesse Bar Sink Faucet	<input type="checkbox"/> CP

**PRODUCT SPECIFICATION:**

Two-handle bar sink faucet shall be of brass construction. Faucet shall feature brass valve bodies. Faucet shall feature quarter-turn washerless ceramic disc valves, assuring positive handle stop positioning. Product shall be less drain. Product shall include 8" rigid connections, 5-1/4" gooseneck spout, and wristblade handles. Faucet shall be Kohler Model K-13328-5-CP.



316

**PRODUCT DIAGRAM**