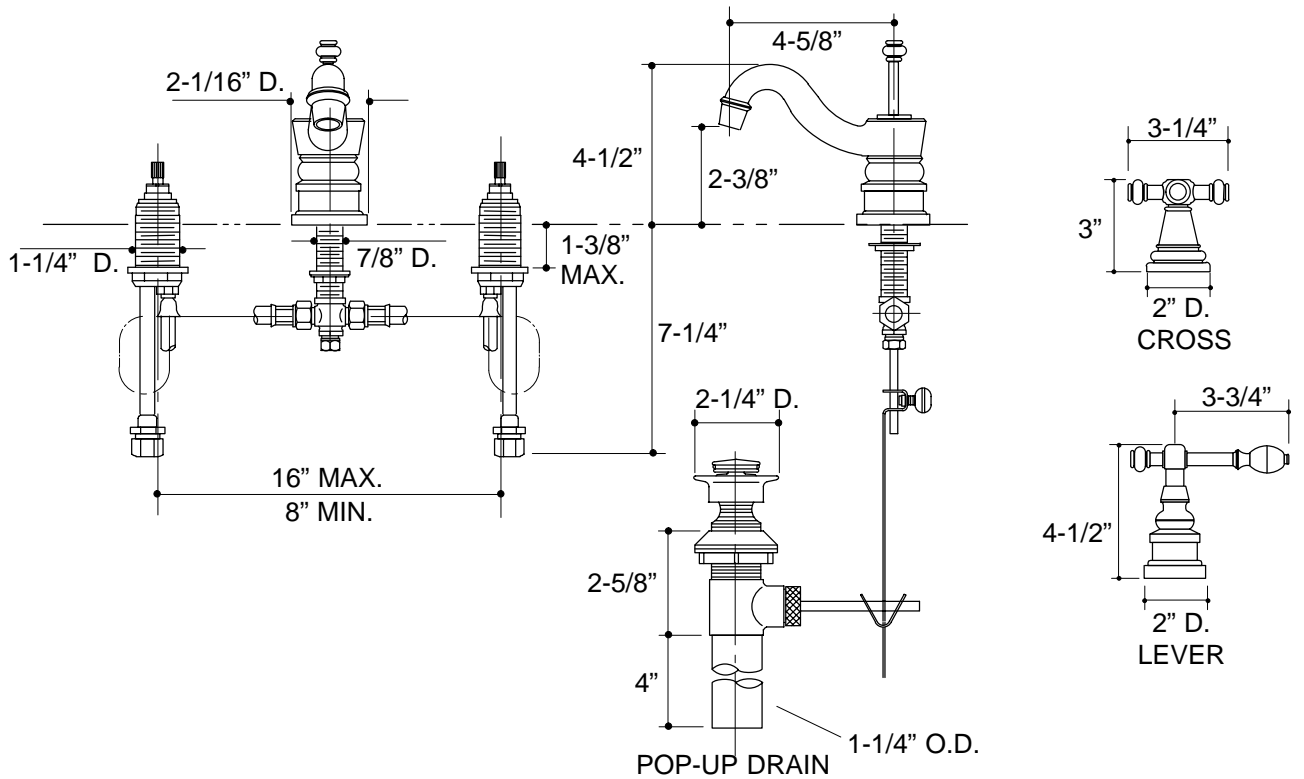


### Ordering Information

Applicable faucet:	
With cross handles	K-6811-3
With lever handles	K-6811-4
<b>ADA</b> Lever and cross handles are ADA compliant	



316

**K-6811** IV Georges Brass™ Lavatory Faucet  
106731-1-AA (9619)

**KOHLER®**

**NOTES:**