

Ordering Information

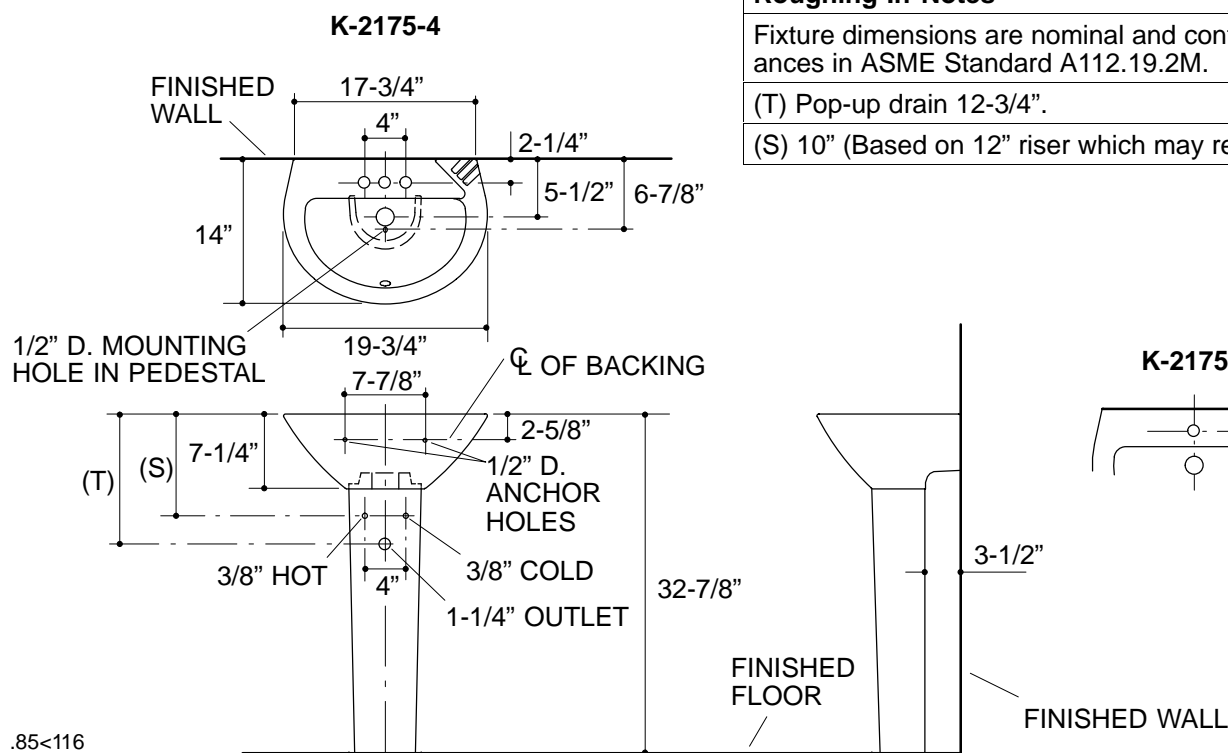
Applicable product:		
4" centers lavatory	K-2175-4	shown
Single-hole lavatory	K-2175-1	not shown

Product Information

Fixture*:		basin area	water depth
Lavatory		16" x 9"	3-1/2"
Outlet	1-3/4" D.		
* Approximate measurements for comparison only.			

Holes	K-2175-4	K-2175-1	
Spout	1-3/16" D.	1-3/8" D.	
Faucet	1-3/16" D.		

Included Components:	
Lavatory basin, 4" centers	K-2176-4
Lavatory basin, single-hole	K-2176-1
Pedestal	K-2177
Pedestal accessory pack	52204
Rubber pads	63069



Roughing-In Notes
Fixture dimensions are nominal and conform to tolerances in ASME Standard A112.19.2M.
(T) Pop-up drain 12-3/4".
(S) 10" (Based on 12" riser which may require cutting).

.85<116