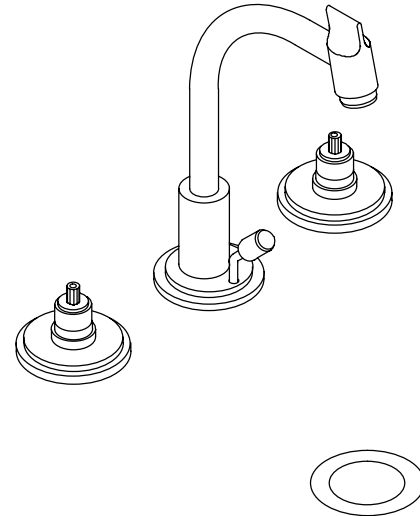


**LAVATORY BASE FAUCET
K-8213-K**

FEATURES

- Brass construction
- Flexible connections
- Brass valve bodies
- Quarter-turn washerless ceramic disc valves
- 5-1/8" Multi-Swivel™ swing spout
- Rotating aerator
- 2.0 gallons per minute
- Pop-up drain with lift rod and tailpiece
- Variety of handle style options



CODES/STANDARDS APPLICABLE

Specified model meets or exceeds the following:

- ASME/ANSI A112.18.1M
- Energy Policy Act of 1992
- IAPMO/UPC
- NSF 61

COLORS/FINISHES

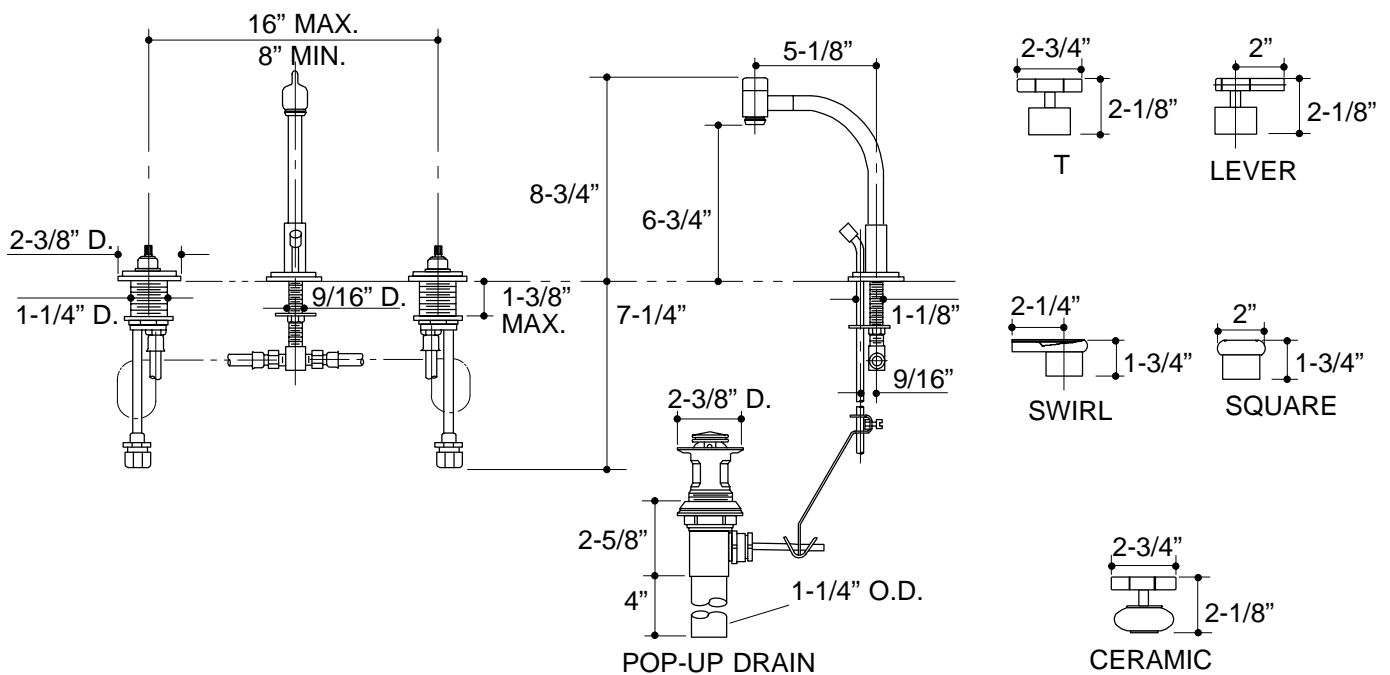
- CP Polished Chrome
- PB Polished Brass

SPECIFIED MODEL: For complete faucet, both base faucet and handle choice must be specified.

Model	Description								
K-8213-K	Taboret Widespread Lavatory Base Faucet			<input type="checkbox"/> CP		<input type="checkbox"/> PB			
Required Accessory (Includes Two Handles)									
K-16070-2	Square Handles	<input type="checkbox"/> CP <input type="checkbox"/> PB							
K-16070-4	Lever Handles		<input type="checkbox"/> CP <input type="checkbox"/> PB						
K-16070-4A	Swirl Lever Handles			<input type="checkbox"/> CP <input type="checkbox"/> PB					
K-16070-4C	Vandal-Resistant Lever Handles and Aerator		<input type="checkbox"/> CP						
K-16070-6	T-Handles					<input type="checkbox"/> CP <input type="checkbox"/> PB			
K-16070-6C	Vandal-Resistant Lever Handles and Aerator					<input type="checkbox"/> CP			
K-16076-6P	Islander™ Ceramic, CP Trim							<input type="checkbox"/> NA	
K-16077-6P	Islander™ Ceramic, PB Trim							<input type="checkbox"/> NA	

PRODUCT SPECIFICATION:

Two-handle widespread lavatory base faucet shall be of brass construction. Faucet shall feature brass valve bodies. Faucet shall feature quarter-turn washerless ceramic disc valves, assuring positive handle stop positioning. Product shall include flexible connections, 5-1/8" Multi-Swivel swing spout, rotating aerator, and pop-up drain with lift rod and tailpiece. Base faucet shall be Kohler Model K-8213-K-_____ and handles shall be Kohler Model K-_____-_____-_____.



PRODUCT DIAGRAM