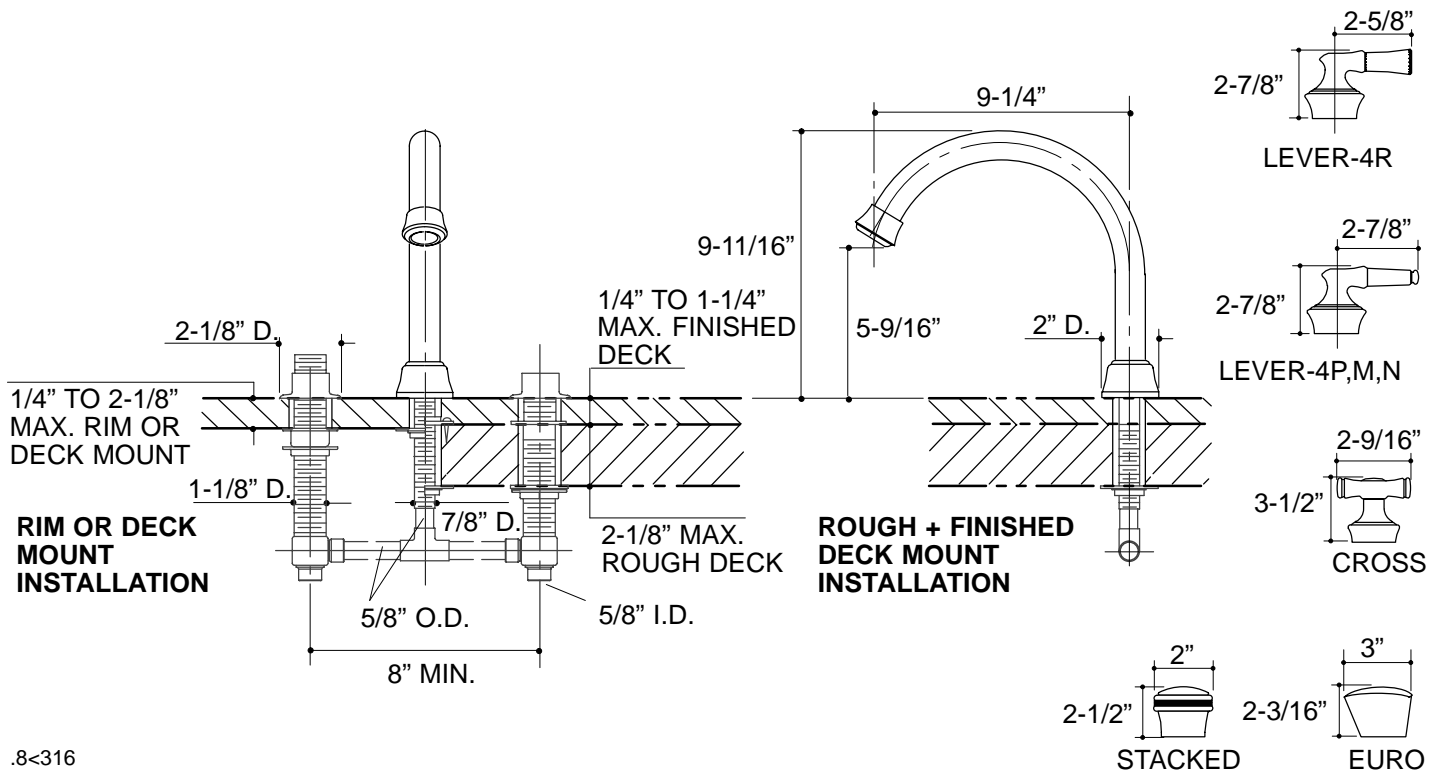


Ordering Information

| | | |
|--|---------------|------------|
| Applicable bath faucet trim: | | |
| Euro handles with spout* | K-T15880-1 | |
| Cross handles with spout* | K-T15880-3P | |
| Lever base handles with spout* | K-T15880-4K | |
| Stacked base handles with spout* | K-T15880-7K | |
| Applicable valve: | | |
| 1/2" valve system (shown) | K-15708-K-NA | required** |
| 1/2" valve system with rigid connections | K-15708-KR-NA | required** |
| *1/2" valve system must be ordered to complete faucet. | | |
| **Required for configuration illustrated. | | |
| ADA Lever and cross handles are ADA compliant | | |



.8<316

K-T15880, K-15708-K Coralais™ Bath Faucet
113062-1-AA (A)

KOHLER®

NOTES: