

Ordering Information

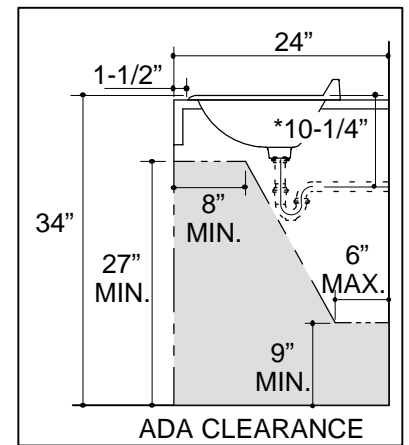
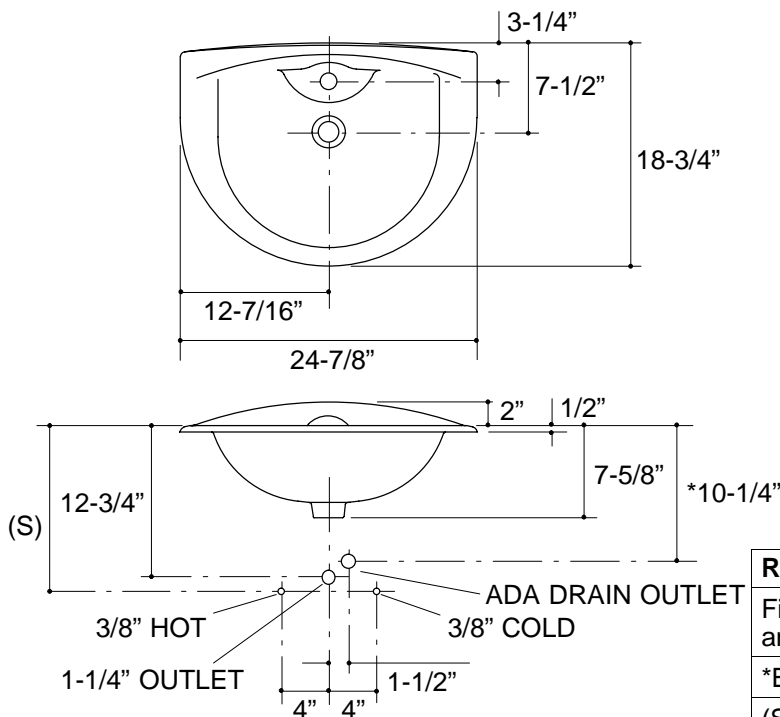
Applicable product:		
Lavatory	K-2246-1	shown
Accessories/hardware:		
Trocadero faucet	K-15000	recommended
Trap	K-8998	recommended

Product Information

ADA compliant.			
Fixture*:		basin area	water depth
Lavatory		19" x 12"	5-7/8"
Outlet	1-3/4" D.		
* Approximate measurements for comparison only.			
Holes	K-2246-1		
Faucet	1-3/8" D.		
Included Components:			
Adhesive sealant			63034
Cutout template			113603-X2

Installation Notes

Refer to installation instructions included with fixture before beginning installation.



Roughing-In Notes
Fixture dimensions are nominal and conform to tolerances in ANSI Standard A112.19.2.
*Based on K-8998, with 1" tailpiece exposed.
(S) 14" (Based on 12" riser which may require cutting).

1.1>116