

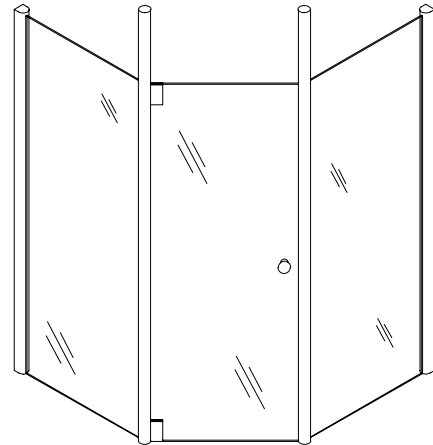
FEATURES

- 38" x 38" x 72" H
- 10' aluminum support posts
- 3/8" glass door panel
- 1/4" clear tempered glass filler panels
- Two color-matched towel bars (with colored posts only)
- Includes wall jambs and hardware

CODES/STANDARDS APPLICABLE

Specified model meets or exceeds the following:

- ANSI Z97.1 (tempered glass)



COLORS/FINISHES

- SV Nevada Silver™
- BR New England Brass™
- Other Refer to Fixtures Price Book for additional colors

Accessories:

- 0 White
- Other Refer to Fixtures Price Book for additional colors

SPECIFIED MODEL:

Model	Description	Colors/Finishes		
K-9868	38" x 38" shower enclosure	<input type="checkbox"/> SV	<input type="checkbox"/> BR	<input type="checkbox"/> Other_____
Optional Accessories				
K-9866	Profile shower receptor	<input type="checkbox"/> 0 White	<input type="checkbox"/> Other_____	
K-9536	Captiva™ shower receptor	<input type="checkbox"/> 0 White	<input type="checkbox"/> Other_____	

PRODUCT SPECIFICATION:

The shower enclosure shall be 38" in length, 38" in width, and 72" in height (K-9868). Shower enclosure shall have 10' aluminum support posts. Shower enclosure shall have 3/8" glass door panel. Shower enclosure shall have 1/4" clear tempered glass filler panels. Shower enclosure shall have two color-matched towel bars (with colored posts only). Shower enclosure shall include wall jambs and hardware. Shower enclosure shall be Kohler Model K-9868-_____.

PROFILE®

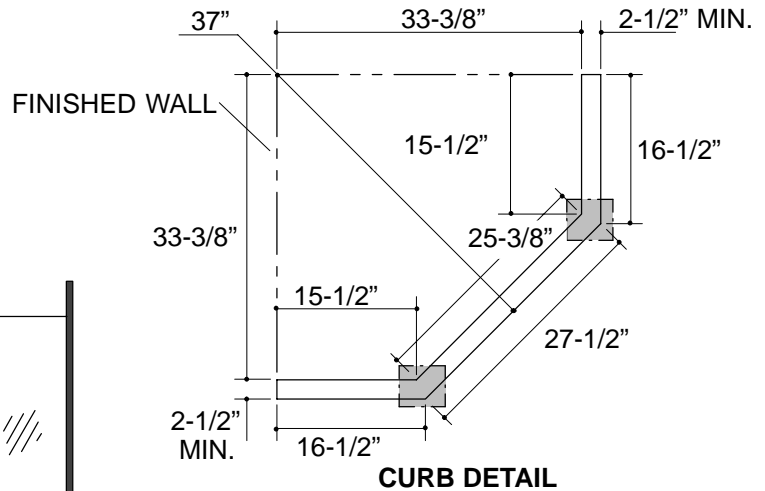
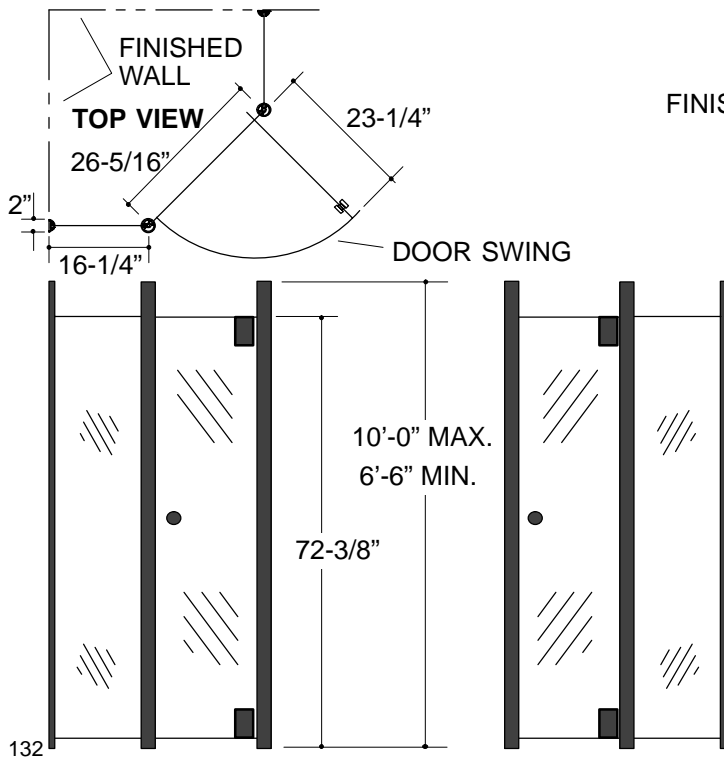
PRODUCT INFORMATION

Fixture:	
Weight	108 lbs.
Glass, tempered safety	clear
Included Components:	
Shower door	K-9868-1
Filler panels	K-9868-2
Frames and hardware	K-9868-3

Included Components:	
Frames and hardware	K-9868-3
Shower door	K-9868-1
Filler panels	K-9868-2

INSTALLATION NOTES

Door can be for either left-hand or right-hand opening. Door shown below is for left-hand opening.



Roughing-In Notes

	Structural support required in the ceiling above these locations.
	Leave studs exposed. Shower enclosure wall jambs must be installed directly to studs.

PRODUCT DIAGRAM