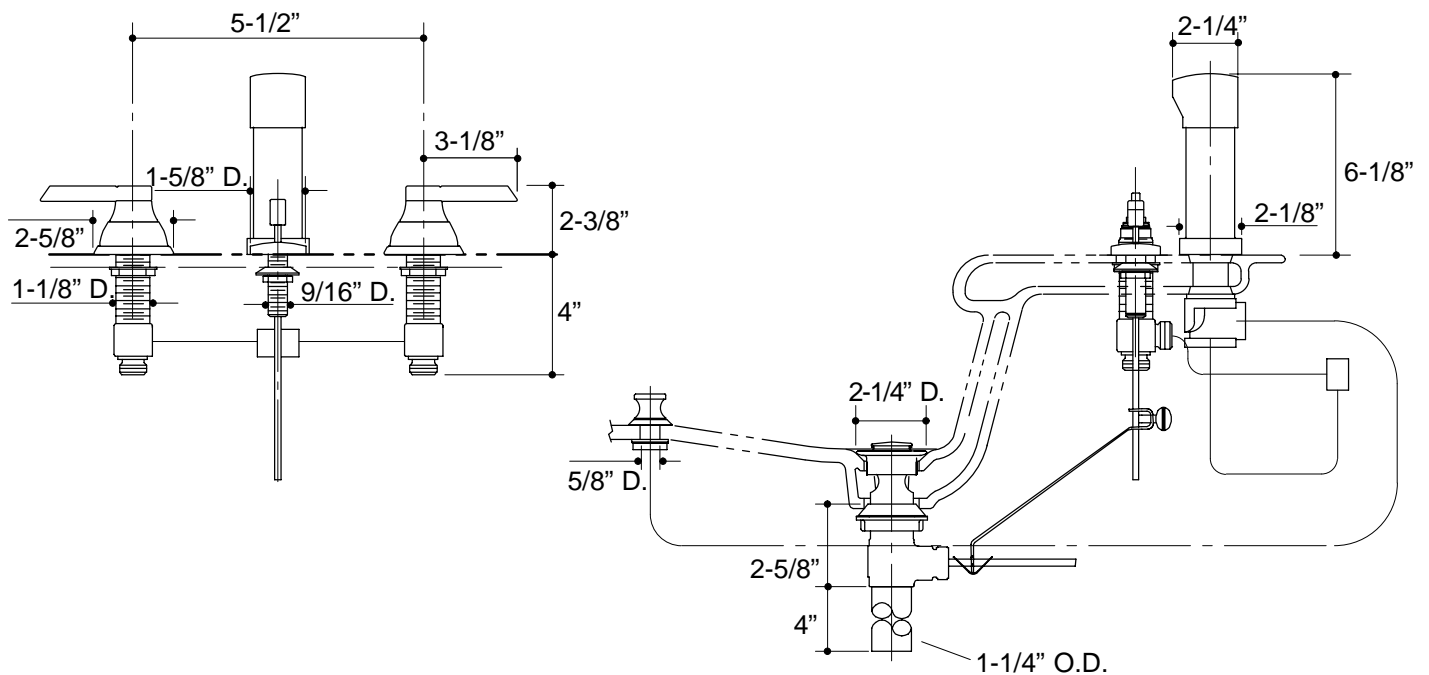


Ordering Information

Applicable faucet:	
With one-piece escutcheons	K-6412-4
With multi-piece escutcheons*	K-6412-4B
Accessories/hardware:	
Decorative inserts	K-17204
*Requires decorative inserts.	
ADA Lever handles are ADA compliant	



1.25>18

K-6412 Neuville™ Bidet Faucet
114135-1-AA (9619)

NOTES: