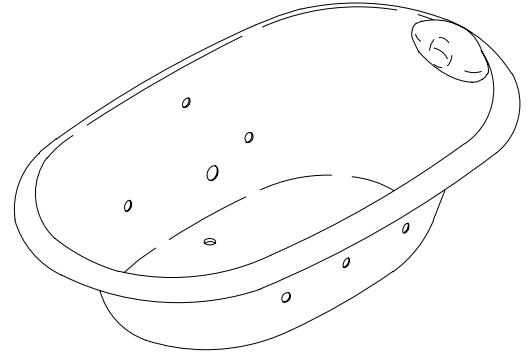


K-702-H1, K-702-N

FEATURES

- 72" x 42" x 24"
- Cast iron with Safeguard® finish
- System III - 2 hp variable flow pump with integral heater, electronic switch, and pulsating neckjets with pillow
- 5 Flexjets
- Adjustable feet (factory installed)
- UL Listed
- LESS ALL TRIM
- Pump is supplied with a grounding-type plug in cord



CODES/STANDARDS APPLICABLE

Specified model meets or exceeds the following:

- ASME/ANSI A112.19.1M
- ASME/ANSI A112.19.7M
- IAPMO/UPC
- Underwriters Laboratories (UL)
- State of Massachusetts

COLORS/FINISHES

- 0 White
- Other Refer to Fixtures Price Book for additional colors

Accessories:

- CP Polished Chrome
- PB Polished Brass
- Other Refer to Faucets Price Book for additional finishes

SPECIFIED MODEL:

Model	Description	Colors/Finishes	
K-702-H1	Bath whirlpool less neckjets and pillow	<input type="checkbox"/> 0 White	<input type="checkbox"/> Other_____
K-702-N	Bath whirlpool with neckjets and pillow	<input type="checkbox"/> 0 White	<input type="checkbox"/> Other_____

Required Accessories			
K-9695	Jet trim kit	<input type="checkbox"/> CP	<input type="checkbox"/> PB <input type="checkbox"/> Other_____
Recommended Accessories			
K-7158	Drain	<input type="checkbox"/> CP	<input type="checkbox"/> PB <input type="checkbox"/> Other_____

PRODUCT SPECIFICATION:

The bath whirlpool shall be 72" in length, 42" in width, and 24" in height. Bath whirlpool shall be made of cast iron with Safeguard finish. Bath whirlpool shall have System III, with 5 Flexjets, 2 hp variable flow pump with integral heater, electronic switch, and pulsating neckjets with pillow. Bath whirlpool shall have adjustable feet (factory installed). Bath whirlpool shall be UL Listed. Bath whirlpool shall be less all trim. Bath whirlpool pump shall be supplied with a grounding-type plug-in cord. Bath whirlpool shall be Kohler Model K-702-_____ - _____.

REQUIRED ELECTRICAL SERVICE

Dedicated circuit required, protected with Class A Ground-Fault Circuit-Interrupter (GFCI):	
Pump/control	120 V., 20 A, 60 Hz

PRODUCT INFORMATION

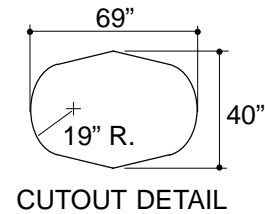
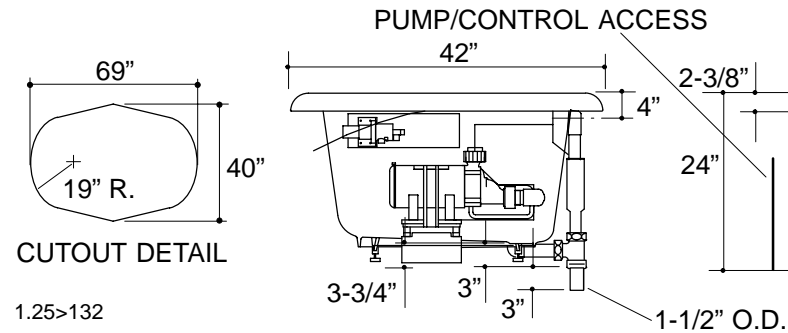
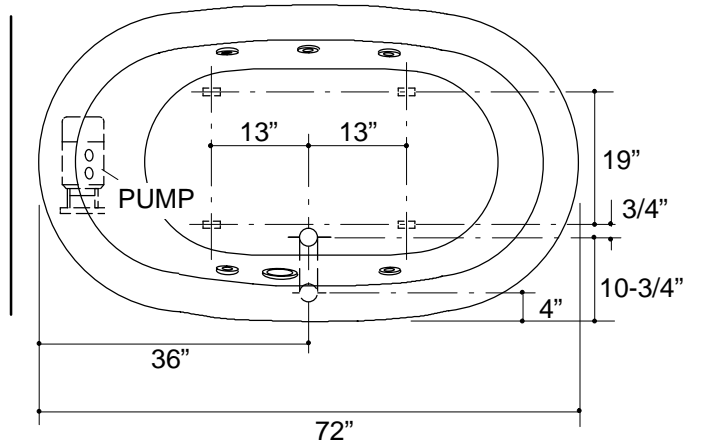
Fixture*:	basin area	top area	weight	
Bathing well	44" x 28"	60" x 32"	545 lbs.	
	water depth	capacity		
To overflow	15"	82 gals.		
* Approximate measurements for comparison only.				
Pump:	HP	V	Hz	A
1-speed	2	120	60	18.5
Included Components:				
Cutout template			106594-7	

INSTALLATION NOTES

NOTICE: The floor must support 2,000 pounds. This is the combined weight of the bath, water, and two bathers. Pre-plan access for moving the bath into the construction area; the bath is heavy and will not fit easily through doorways.

Each pump is supplied with a grounding type plug-in cord. Locate the outlet behind the whirlpool, and within 24" of the pump.

Roughing-In Notes		
No change in measurements if connected with drain illustrated.		
Minimum access:		
Pump/control	40" W x 15" H panel	required



1.25>132

PRODUCT DIAGRAM