



### FEATURES

- Gravity flush
- 12" rough-in
- Vitreous china
- Elongated bowl
- 1.6 gpf
- Includes polished chrome trip lever
- Combination toilet
- 16-1/2" high bowl is ADA compliant
- 2" glazed trapway
- Less seat and supply
- With right-hand trip lever (-RA)
- With bedpan lugs (-L)
- With Insuliner® insulated tank lining (-U)
- With tank cover locks (-T)

### CODES/STANDARDS APPLICABLE

Specified model meets or exceeds the following:

- ADA
- ASME/ANSI A112.19.2M
- ASME/ANSI A112.19.6M
- CABO/ANSI A117.1
- Energy Policy Act of 1992 (EPACT)
- Canadian Standards Association (CSA)
- IAPMO/UPC
- States of Massachusetts, New York, & Texas
- City of Los Angeles, CA

### SPECIFIED MODEL:

Model	Description	Colors/Finishes	
K-3427	Elongated bowl toilet	<input type="checkbox"/> 0 White	<input type="checkbox"/> Other _____
K-3427-T	Toilet with tank cover locks	<input type="checkbox"/> 0 White	<input type="checkbox"/> Other _____
K-3427-U	Toilet with Insuliner tank	<input type="checkbox"/> 0 White	<input type="checkbox"/> Other _____
K-3427-UT	Toilet with tank cover locks and insuliner tank	<input type="checkbox"/> 0 White	<input type="checkbox"/> Other _____
K-4274-L & K-4620	Toilet with bed pan lugs (left-hand trip lever)	<input type="checkbox"/> 0 White	<input type="checkbox"/> Other _____
K-3427-RA	Elongated bowl toilet (right-hand trip lever)	<input type="checkbox"/> 0 White	<input type="checkbox"/> Other _____
K-3427-TR	Toilet with tank cover locks (right-hand trip lever)	<input type="checkbox"/> 0 White	<input type="checkbox"/> Other _____
K-3427-UR	Toilet with Insuliner tank (right-hand trip lever)	<input type="checkbox"/> 0 White	<input type="checkbox"/> Other _____
K-4274-L & K-4620-RA	Toilet with bed pan lugs (right-hand trip lever)	<input type="checkbox"/> 0 White	<input type="checkbox"/> Other _____

#### Recommended Accessories

K-4652	Lustra™ seat with cover	<input type="checkbox"/> 0 White	<input type="checkbox"/> Other _____
K-4652-A	Lustra™ seat with cover (includes anti-microbial agent)	<input type="checkbox"/> 0 White	

More Recommended & Optional Accessories on Page 2

### PRODUCT SPECIFICATION:

The elongated combination toilet shall be 12" rough-in. Toilet shall be made of vitreous china. Toilet shall be 1.6 gpf. Toilet shall include polished chrome trip lever. Toilet shall be ADA compliant with 16-1/2" high bowl. Toilet shall have 2" glazed trapway. Toilet shall be less seat and supply. Toilet shall have right-hand trip lever (-RA). Toilet shall have Insuliner® insulated tank lining (-U). Toilet shall have tank cover locks (-T). Toilet shall be Kohler Model K-3427-\_\_\_\_\_-\_\_\_\_\_-\_\_\_\_\_.

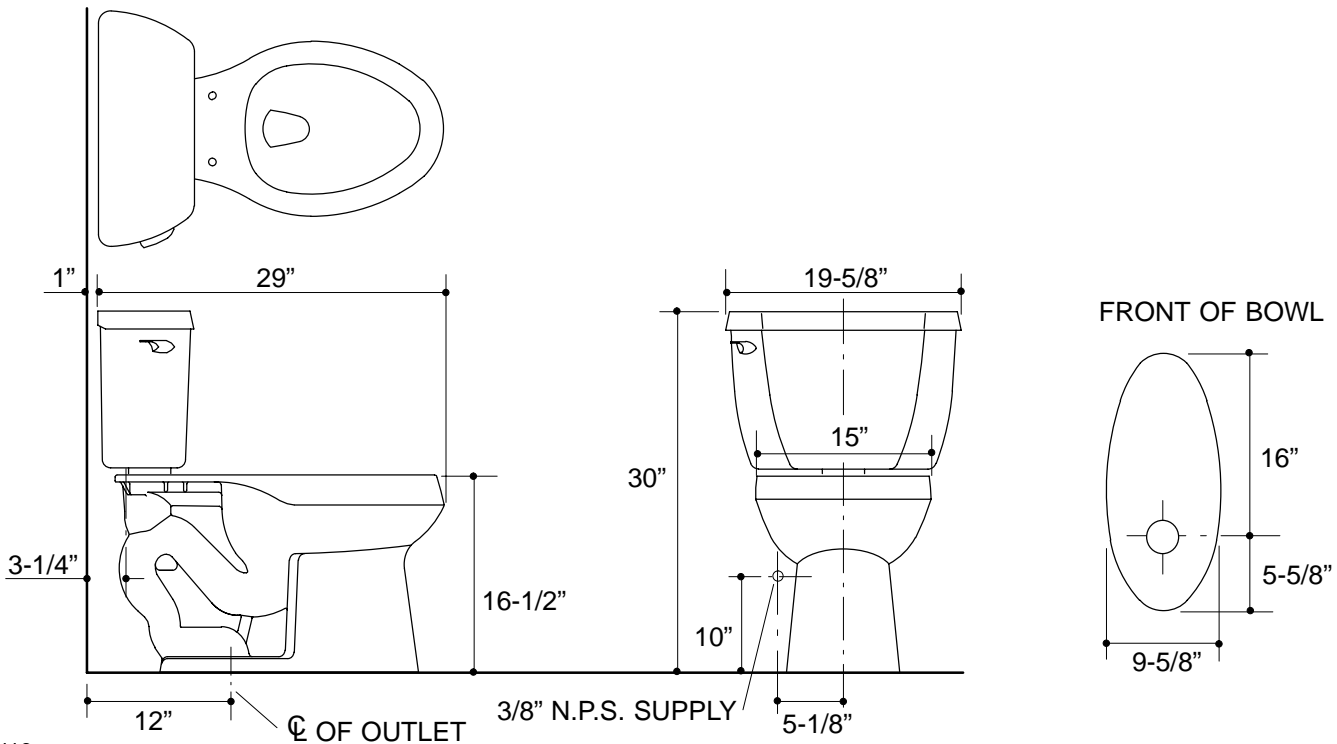
# HIGHLINE™

## Recommended Accessories (cont.)

K-4650	Lustra™ open front seat	<input type="checkbox"/> 0 White	<input type="checkbox"/> Other_____	
K-4670-C	Lustra™ open front seat	<input type="checkbox"/> 0 White	<input type="checkbox"/> Other_____	
K-7637	Angle supply with stop	<input type="checkbox"/> CP	<input type="checkbox"/> PB	<input type="checkbox"/> Other_____
<b>Optional Accessories</b>				
K-9404-L	Trip lever (non-CP)	<input type="checkbox"/> PB	<input type="checkbox"/> Other_____	

## PRODUCT INFORMATION

Fixture:	
Configuration	2-piece, elongated
Gallons per flush	1.6
Passageway	2"
Water depth from rim	6"
Seat post hole centers	5-1/2"
Included Components:	
Bowl	K-4274
Tank	K-4620
Tank cover	84635
Trip lever	K-9404



116

## PRODUCT DIAGRAM