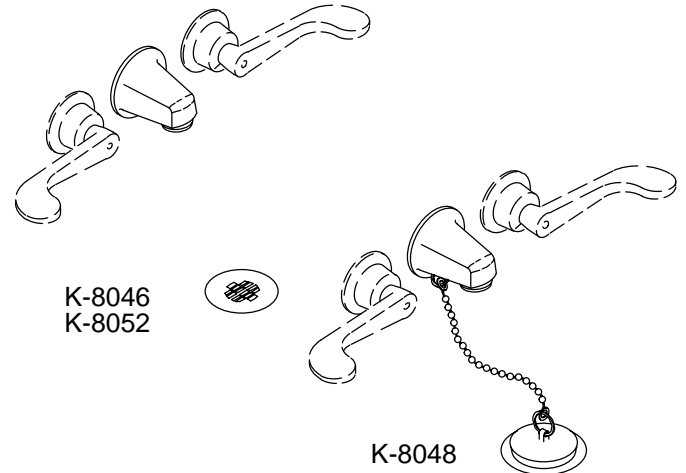


FEATURES

- Brass construction
- For 5-1/2" centers
- Brass valve bodies
- Valvet® valves
- 1-1/4" spout
- Drain with tailpiece
- Variety of handle style options
- Available with grid or chain and stopper drain
- Available with standard or vandal-resistant Water-Guard® aerator

SHELF-BACK LAVATORY FAUCET K-8046

ALSO K-8048, K-8052



CODES/STANDARDS APPLICABLE

Specified model meets or exceeds the following:

- ASME/ANSI A112.18.1M
- Energy Policy Act of 1992
- IAPMO/UPC
- NSF 61 (K-8046, K-8048)

COLORS/FINISHES

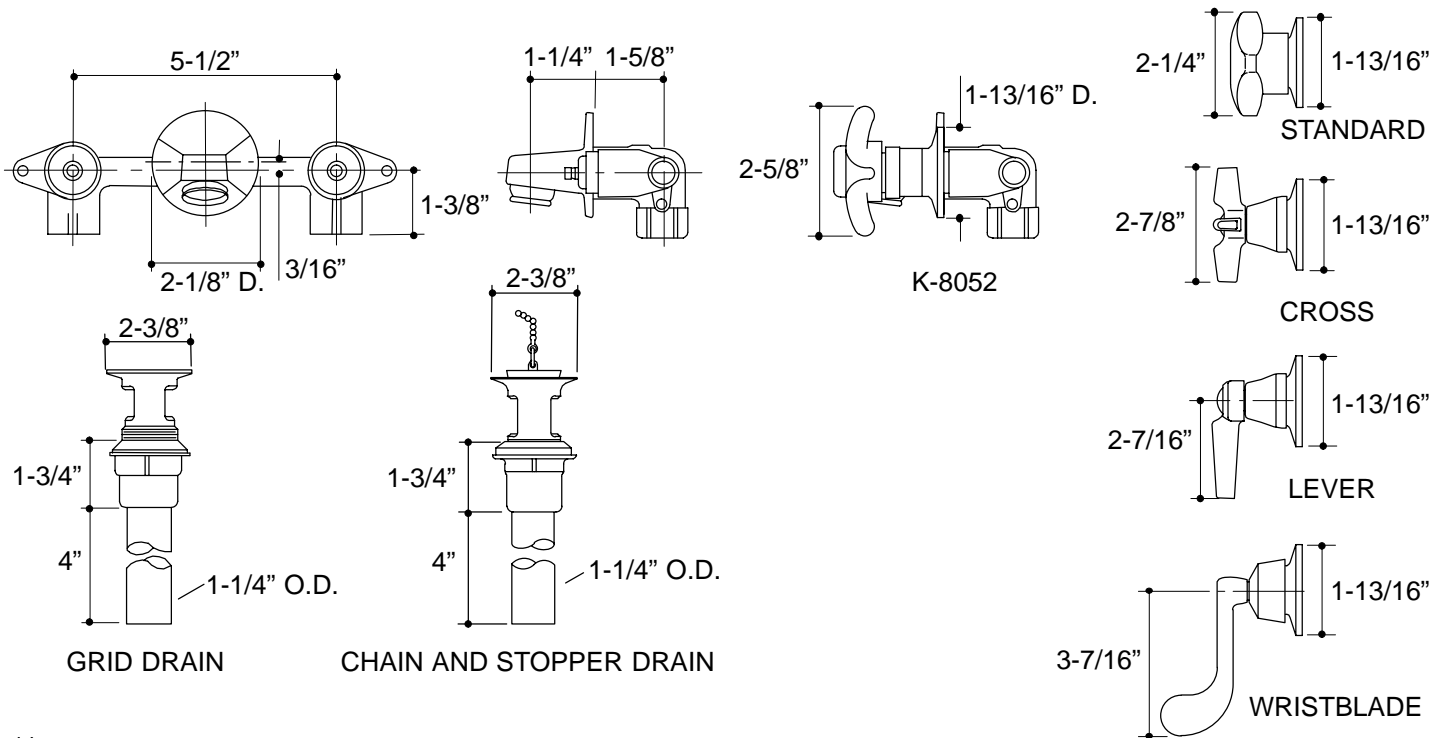
- CP Polished Chrome

SPECIFIED MODEL:

Model	Description		ADA	ADA	ADA	
Grid Drain:						
K-8046-2A	Standard Handles; Standard Aerator	<input type="checkbox"/> CP				
K-8046-2E	Standard Handles; Vandal-Resistant Aerator	<input type="checkbox"/> CP				
K-8046-3A	Cross Handles; Standard Aerator		<input type="checkbox"/> CP			
K-8046-3E	Cross Handles; Vandal-Resistant Aerator		<input type="checkbox"/> CP			
K-8046-4A	Lever Handles; Standard Aerator			<input type="checkbox"/> CP		
K-8046-4E	Lever Handles; Vandal-Resistant Aerator			<input type="checkbox"/> CP		
K-8046-5A	Wristblade Handles; Standard Aerator				<input type="checkbox"/> CP	
K-8046-5E	Wristblade Handles; Vandal-Resistant Aerator				<input type="checkbox"/> CP	
K-8052	Self-Closing Handles; Standard Aerator					<input type="checkbox"/> CP
Chain and Stopper Drain:						
K-8048-2A	Standard Handles; Standard Aerator	<input type="checkbox"/> CP				
K-8048-3A	Cross Handles; Standard Aerator		<input type="checkbox"/> CP			
K-8048-4A	Lever Handles; Standard Aerator			<input type="checkbox"/> CP		
K-8048-5A	Wristblade Handles; Standard Aerator				<input type="checkbox"/> CP	

PRODUCT SPECIFICATION:

Shelf-back lavatory faucet shall be of brass construction. Faucet shall feature brass valve bodies. Faucet shall also feature Valvet valves. Product shall include 5-1/2" centers, 1-1/4" spout, drain with tailpiece, and handles. Optional features shall be standard or vandal-resistant Water-Guard aerator, and grid or chain and stopper drain. Faucet shall be Kohler Model K-_____ - _____-CP.



PRODUCT DIAGRAM