

**SERVICE SINK FAUCET
K-8908**

ADA

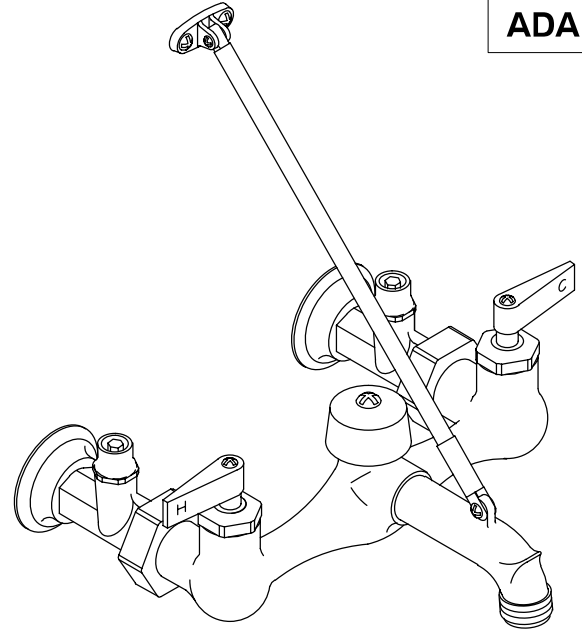
FEATURES

- Brass construction
- For 8" centers
- Brass valve bodies
- Valvet® valves
- 4-5/8" threaded spout for hose connection
- 8-5/8" wall-to-spout outlet
- Lever handles
- Loose key stops in shanks
- Vacuum breaker
- Pail hook
- Wall brace

CODES/STANDARDS APPLICABLE

Specified model meets or exceeds the following:

- ASME/ANSI A112.18.1M
- California Energy Commission
- Canadian Standards Association (CSA)
- Energy Policy Act of 1992
- IAPMO/UPC
- NSF 14



COLORS/FINISHES

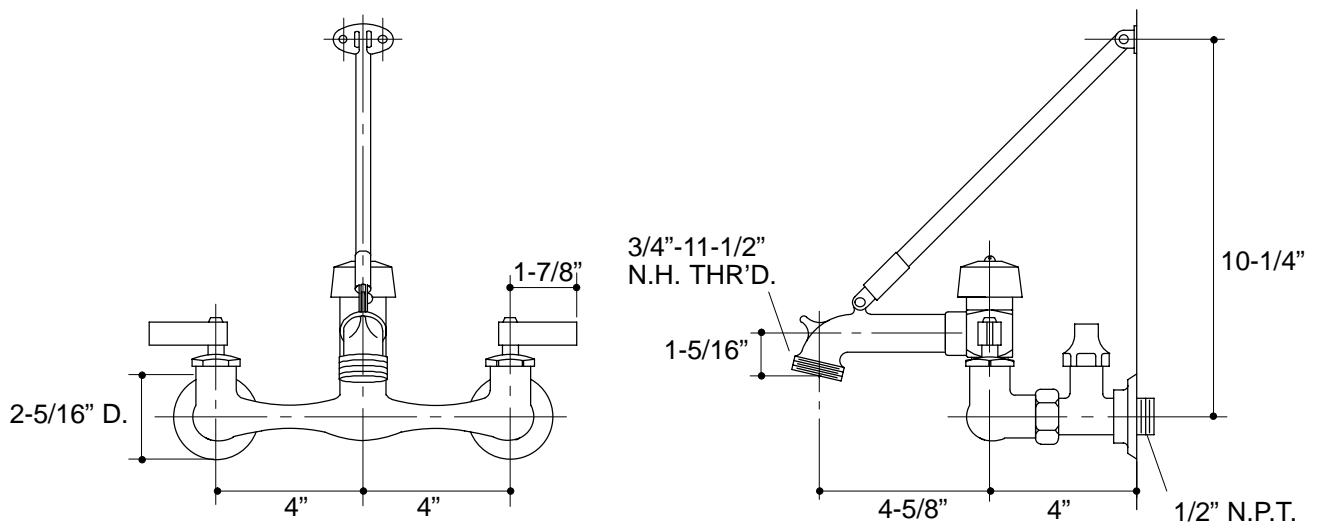
- CP Polished Chrome
- RP Rough Plate

SPECIFIED MODEL:

Model	Description	<input type="checkbox"/> CP	<input type="checkbox"/> RP
K-8908	Kinlock Service Sink Faucet	<input type="checkbox"/>	<input type="checkbox"/>

PRODUCT SPECIFICATION:

Two-handle service sink faucet shall be of brass construction. Faucet shall feature brass valve bodies. Faucet shall also feature Valvet valves. Product shall include 8" centers, 4-5/8" threaded spout for hose connection, 8-5/8" wall-to-spout outlet, lever handles, loose key stops in shanks, vacuum breaker, pail hook, wall brace, and N.P.T. connections. Faucet shall be Kohler Model K-8908-_____.



316

PRODUCT DIAGRAM