

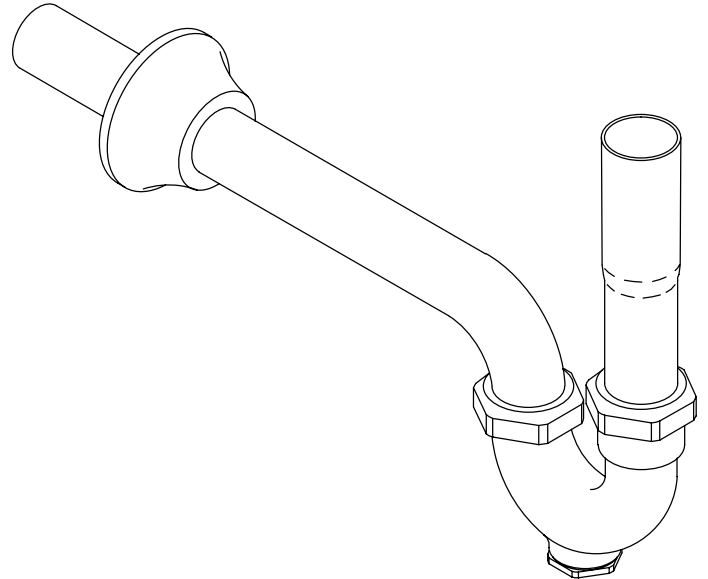
FEATURES

- *Intended for console table installations*
- *Adjustable rotation on outlet extension tube*
- *Slip-fit inlet*
- *Cleanout plug*
- *Flange*

CODES/STANDARDS APPLICABLE

Specified model meets or exceeds the following:

- *ASME/ANSI A112.18.1M*



COLORS/FINISHES

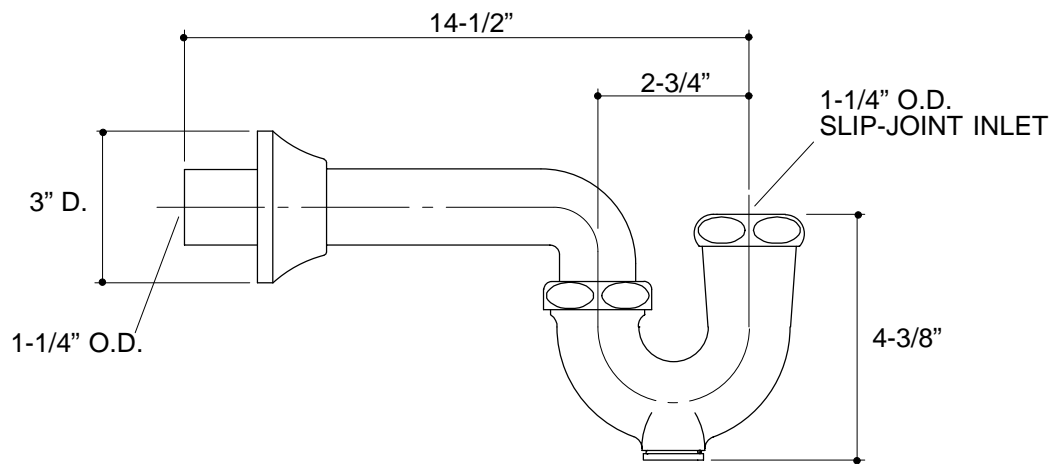
- CP Polished Chrome
- PB Polished Brass
- Other Refer to Faucets Price Book for additional finishes

SPECIFIED MODEL:

| Model | Description | | | |
|--------|-------------|-----------------------------|-----------------------------|-------------------------------------|
| K-9018 | P-Trap | <input type="checkbox"/> CP | <input type="checkbox"/> PB | <input type="checkbox"/> Other_____ |

PRODUCT SPECIFICATION:

P-trap is intended for console table installations. Product shall feature an adjustable rotation on outlet extension tube, slip-fit inlet, cleanout plug, and flange. P-trap shall be Kohler Model K-9018-_____.



PRODUCT DIAGRAM