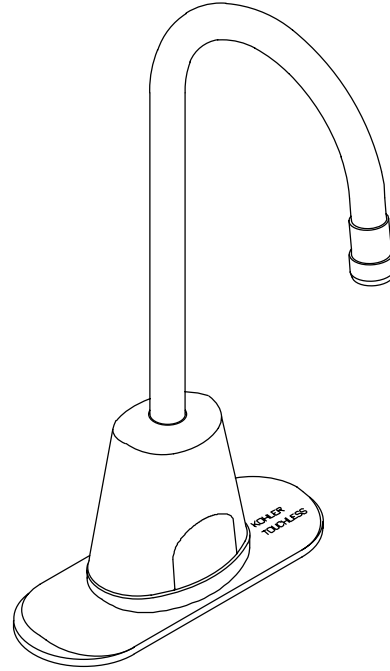


FEATURES

- Brass construction
- Single supply for single-hole mounting
- Electronic infrared sensor
- 5-3/16" gooseneck spout
- Vandal-resistant aerator
- 2.0 gallons per minute
- Includes four alkaline D-cell batteries
- Available with or without escutcheon plate

ADA



CODES/STANDARDS APPLICABLE

Specified model meets or exceeds the following:

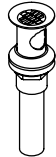

- ASME/ANSI A112.18.1M
- CSA B125
- Energy Policy Act of 1992
- IAPMO/UPC
- Listed in the State of Massachusetts

COLORS/FINISHES

- CP Polished Chrome

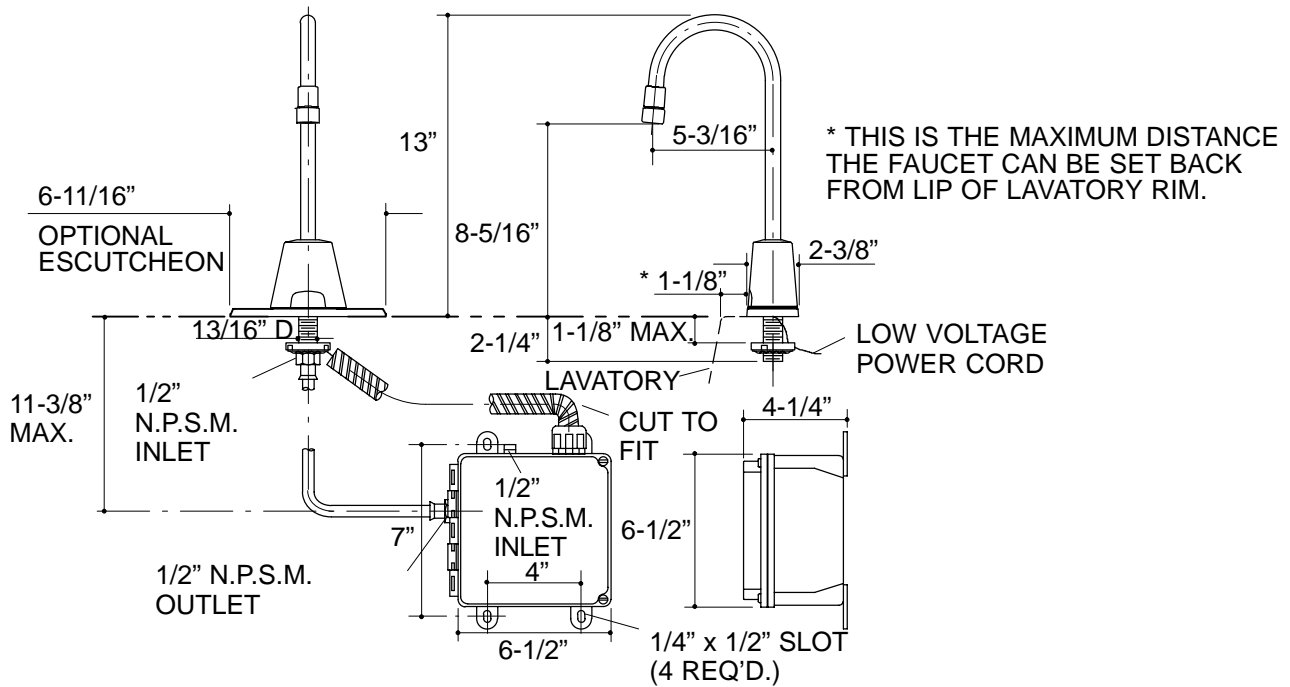
SPECIFIED MODEL:

Model	Description	
K-13674	Less Escutcheon Plate	<input type="checkbox"/> CP
K-13676	With Escutcheon Plate	<input type="checkbox"/> CP

Optional Accessories			
K-7715	Lavatory Grid Drain	<input type="checkbox"/> CP <input type="checkbox"/> PB <input type="checkbox"/> Other_____	
K-13601	Thermostatic Mixing Valve		<input type="checkbox"/> NA

PRODUCT SPECIFICATION:

Battery-powered electronic faucet shall be of brass construction. Faucet shall feature an electronic infrared sensor. Product shall be less drain. Product shall include single supply for single-hole mounting, 5-1/4" gooseneck spout, vandal-resistant aerator, and four alkaline D-cell batteries. Faucet shall be Kohler Model K-_____-CP.



PRODUCT DIAGRAM