

**HANDSHOWER  
K-16110**

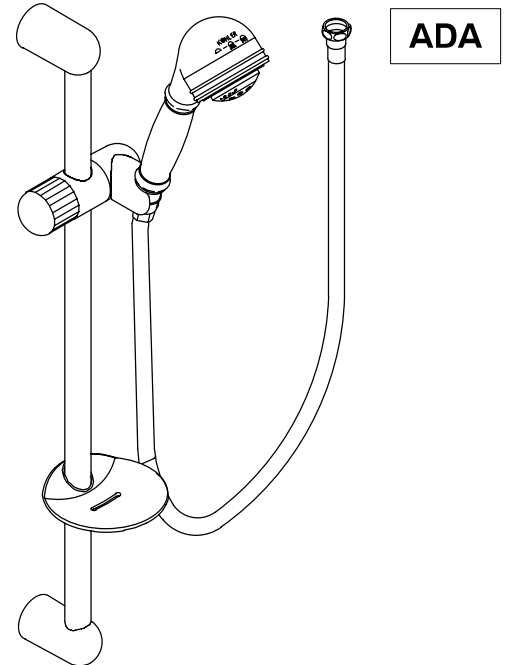
**FEATURES**

- *Three-way handshower*
- *2.5 gallons per minute*
- *Slide bar with clear acrylic soap dish*
- *60" Shower hose*
- *Bracket*

**CODES/STANDARDS APPLICABLE**

Specified model meets or exceeds the following:

- *ASME/ANSI A112.18.1M*



**COLORS/FINISHES**

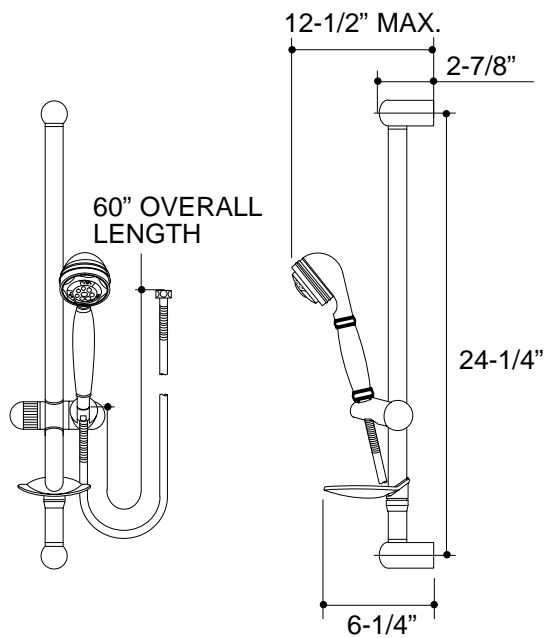
- CP Polished Chrome
- PB Polished Brass

**SPECIFIED MODEL:**

Model	Description		
K-16110	Revival Three-Way Handshower and Slide Bar Kit	<input type="checkbox"/> CP	<input type="checkbox"/> PB

**PRODUCT SPECIFICATION:**

Handshower and slide bar kit shall feature three-way handshower, slide bar with clear acrylic soap dish, 60" shower hose, and two wall-mounting brackets. Handshower shall be Kohler Model K-16110-\_\_\_\_\_.



332

PRODUCT DIAGRAM