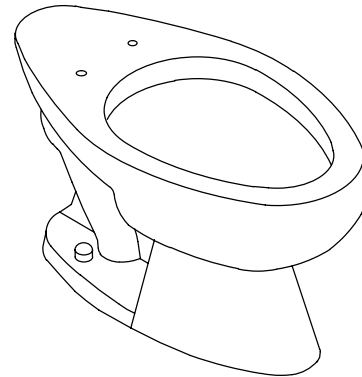


### FEATURES

- 11" min. rough-in
- 1-1/2" rear spud
- Vitreous china
- Elongated bowl
- 1.6 gpf
- 11-3/8" x 10-3/8" water area
- 2-1/4" passageway
- 17-1/2" high bowl is ADA compliant
- With bedpan lugs (-L)



### CODES/STANDARDS APPLICABLE

Specified model meets or exceeds the following:

- ADA
- ASME/ANSI A112.19.2M
- ASME/ANSI A112.19.6M
- CABO/ANSI A117.1
- Energy Policy Act of 1992 (EPACT)

### COLORS/FINISHES

- 0 White
- Other Refer to Fixtures Price Book for additional colors

#### Accessories:

- 0 White
- Other Refer to Fixtures Price Book for additional colors

### SPECIFIED MODEL:

Model	Description	Colors/Finishes	
K-4367	Elongated bowl toilet	<input type="checkbox"/> 0 White	<input type="checkbox"/> Other_____
K-4367-L	Elongated bowl toilet with bedpan lugs	<input type="checkbox"/> 0 White	<input type="checkbox"/> Other_____

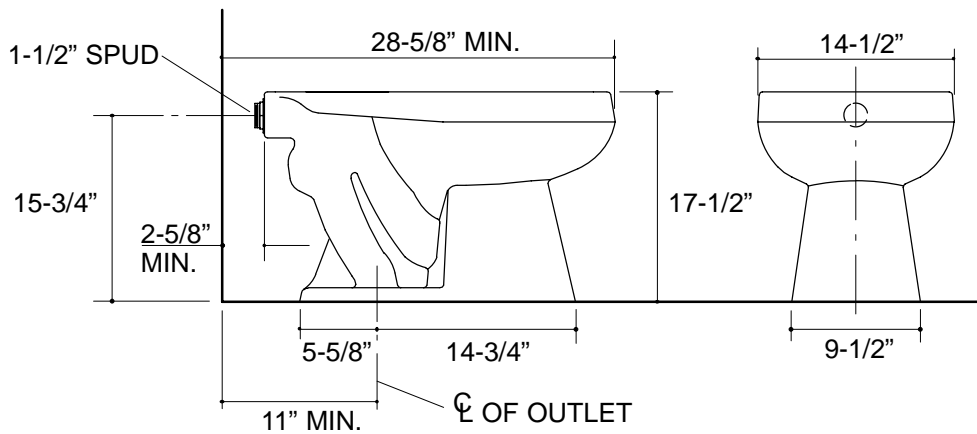
Recommended Accessories			
K-4670-C	Lustra™ open front seat	<input type="checkbox"/> 0 White	<input type="checkbox"/> Other_____
K-4670-CA	Lustra™ open front seat (with anti-microbial agent)	<input type="checkbox"/> 0 White	

### PRODUCT SPECIFICATION:

The elongated bowl shall be 11" minimum rough-in with 1-1/2" rear spud. Bowl shall be made of vitreous china. Bowl shall be 1.6 gpf. Bowl shall have 11-3/8" x 10-3/8" water area. Bowl shall have 2-1/4" passageway. Bowl shall be ADA compliant with 17-1/2" high bowl. Bowl shall have bedpan lugs (-L). Toilet shall be Kohler Model K-4367-\_\_\_\_\_-\_\_\_\_\_.

## PRODUCT INFORMATION

ADA compliant.	
Fixture:	
Configuration	Rear spud, elongated
Gallons per flush	1.6 gallons*
Spud size	1-1/2"
Passageway	2-1/4"
Water area	11-3/8" x 10-3/8"
Water depth from rim	6"
Seat post hole centers	5-1/2"
* Designed to flush with 1.6 gallons of water when installed with a 1.6 gallon flush valve.	
Included Components:	
Spud	18357
Bolt caps (pr.)	52048
Flush valve requirements: Refer to manufacturer and local codes.	



116

## PRODUCT DIAGRAM