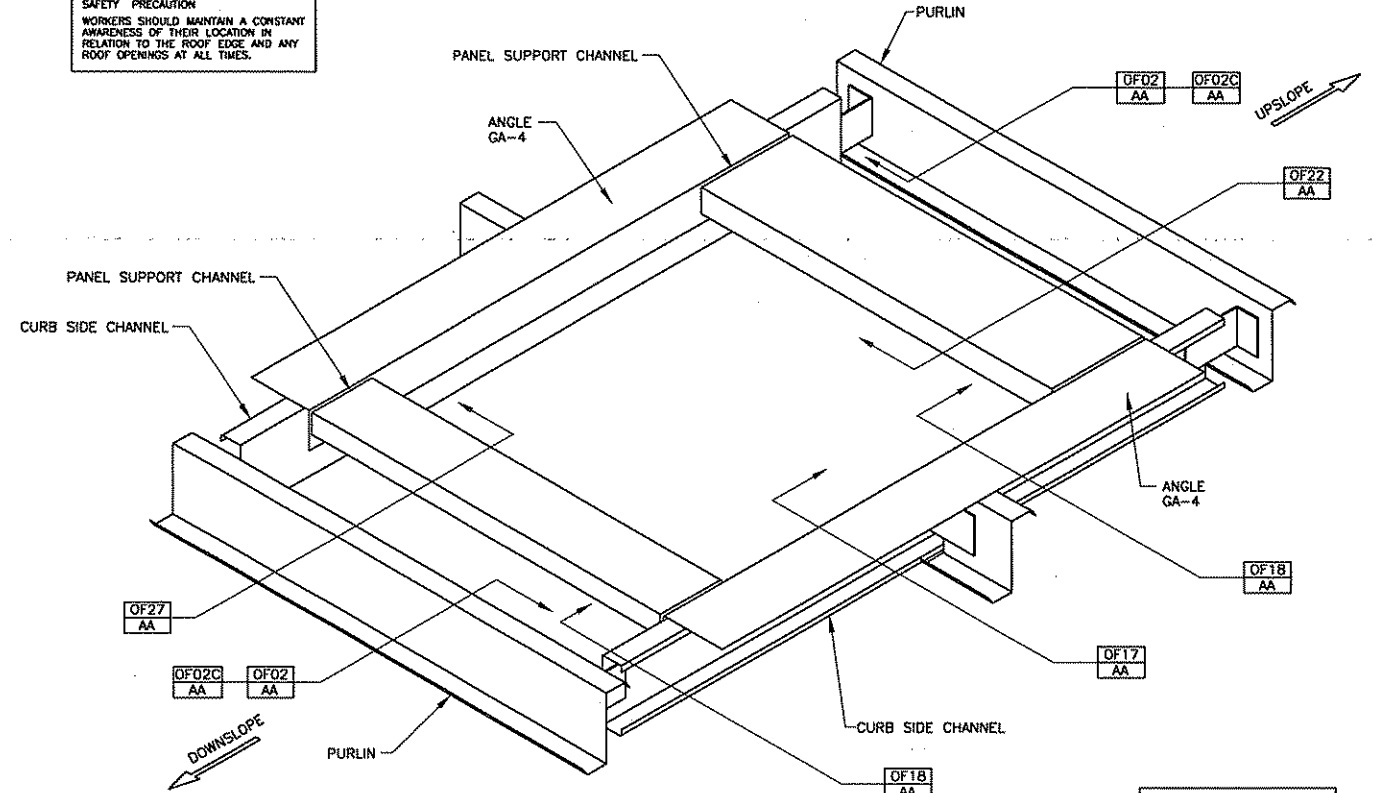
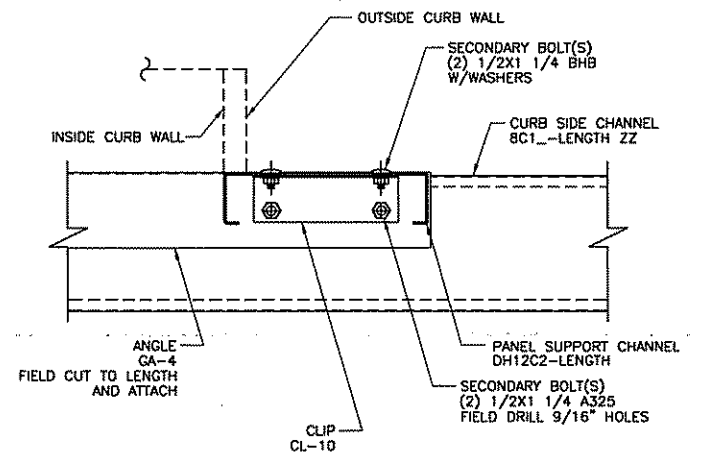


**SAFETY PRECAUTION**  
WORKERS SHOULD MAINTAIN A CONSTANT AWARENESS OF THEIR LOCATION IN RELATION TO THE ROOF EDGE AND ANY ROOF OPENINGS AT ALL TIMES.

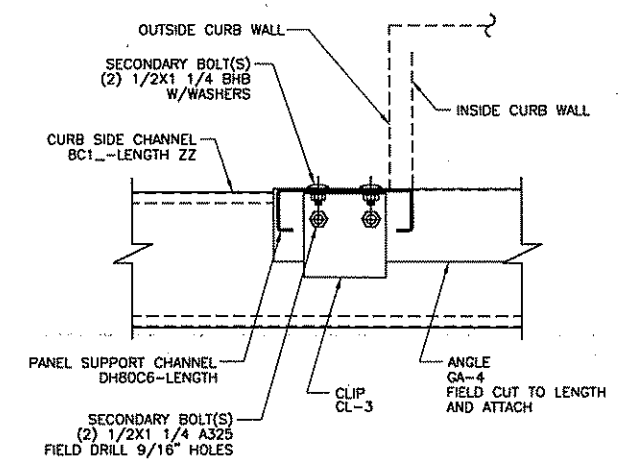


ROOF CURB FRAMING KEY OFOD AA

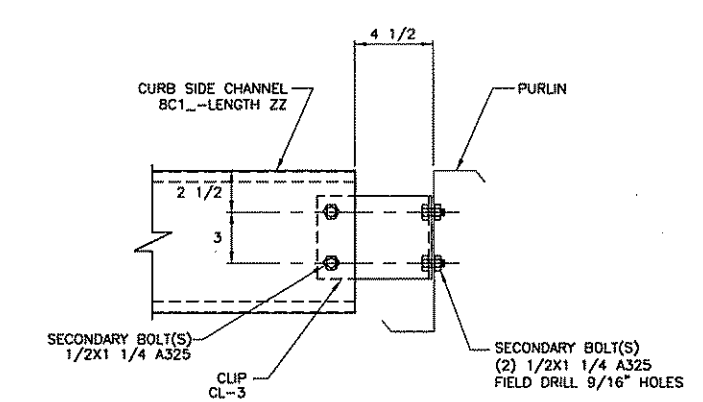
**SAFETY PRECAUTION**  
DO NOT WALK OR STAND ON CURB FRAMING UNTIL PANELS ARE SECURED PROPERLY.



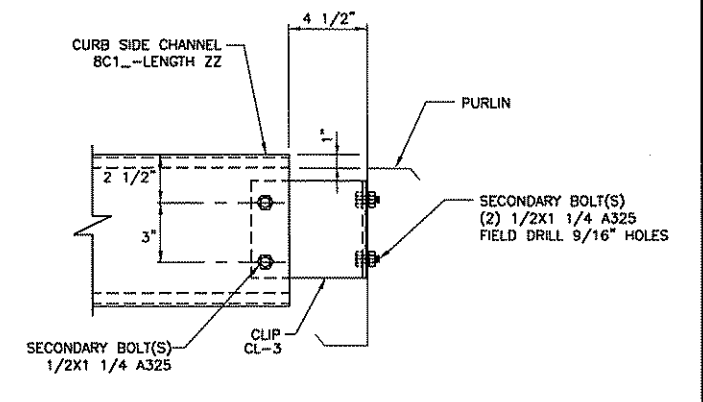
SECTION THROUGH UPPER PANEL SUPPORT CHANNEL OF22 AA



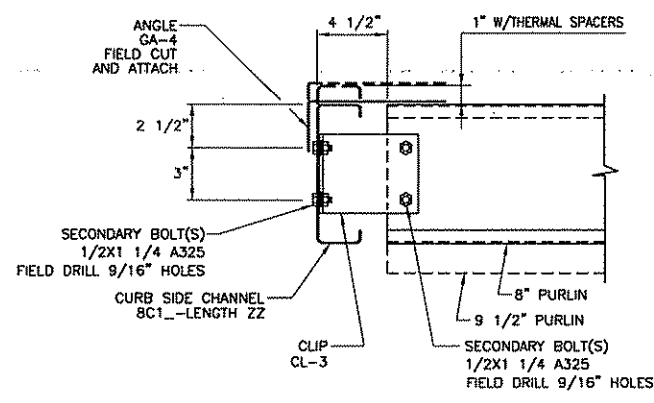
SECTION THROUGH LOWER PANEL SUPPORT CHANNEL OF27 AA



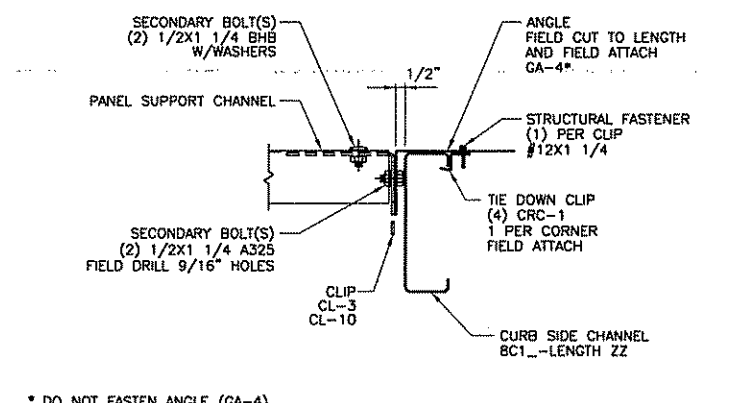
SECTION THROUGH PURLIN AT CURB SIDE CHANNEL CONNECTION WITHOUT THERMAL SPACERS OF02 AA



SECTION THROUGH PURLIN AT CURB SIDE CHANNEL CONNECTION WITH THERMAL SPACERS OF02C AA



SECTION THROUGH CURB SIDE CHANNEL OF17 AA



SECTION THROUGH FRAME EXPANSION ANGLE OF18 AA

\* DO NOT FASTEN ANGLE (GA-4) TO THE CURB SIDE CHANNEL.

ROOF CURB FRAMING REQUIREMENTS					
1 PURLIN SPACE			2 PURLIN SPACES		
QUANTITY	MARK. NO.		QUANTITY	MARK. NO.	
1/2	GA-4 (FIELD CUT TO LENGTH)		1	GA-4 (FIELD CUT TO LENGTH)	
2	BC14-4.3		2	BC12-9.3	
1	DH12C2-LENGTH		1	DH12C2-LENGTH	
1	DH80C6-LENGTH		1	DH80C6-LENGTH	
6	CL-3		8	CL-3	
2	CL-10		2	CL-10	
4	CRC-1		4	CRC-1	
24	1/2X1 1/4 A325 BOLT		32	1/2X1 1/4 A325 BOLT	
8	1/2X1 1/4 BUTTON HEAD BOLT		8	1/2X1 1/4 BUTTON HEAD BOLT	

ROOF CURB FRAMING SCHEDULE OF94 AA

NO.	REVISIONS	MADE	CK'D	DATE	ENGR	DATE	NO.	REVISIONS	MADE	CK'D	DATE	ENGR	DATE
10	REV. OF0DAA, OF22AA, OF27AA, OF02AA, OF02CAA, OF17AA, OF18AA	CAH	JJH	X-X-09			5	REV. OF02AA, OF02CAA, OF17AA, OF94AA	TEA	THG	4-4-05		
9	REVISED OF22AA & OF94AA	CAH	JJH	8-29-08			4	REV. OF22AA, OF27AA, OF02AA, OF02CAA, OF17AA, OF18AA, OF94AA	TAC	THG	9-10-04		
8	REVISED OF18AA	CAH	JJH	6-6-08			3	REVISED OF94AA	YML	THG	2-3-03		
7	REV. OF18AA, OF22AA, OF27AA, OF94AA & OF02CAA	CAG	JJH	9-28-07			2	REVISED OF02AA & OF02CAA	YML	THG	10-1-02		
6	REV. OF22AA, OF27AA & OF94AA	JCM	JJH	5-4-07			1	REVISED OF94AA, OF02CAA, OF0DAA, OF18AA	CKJ	THG	1-99		

NO.	REVISIONS	MADE	CK'D	DATE	ENGR	DATE	NO.	REVISIONS	MADE	CK'D	DATE	ENGR	DATE
5	REV. OF02AA, OF02CAA, OF17AA, OF94AA	TEA	THG	4-4-05			5	REV. OF02AA, OF02CAA, OF17AA, OF94AA	TEA	THG	4-4-05		
4	REV. OF22AA, OF27AA, OF02AA, OF02CAA, OF17AA, OF18AA, OF94AA	TAC	THG	9-10-04			4	REV. OF22AA, OF27AA, OF02AA, OF02CAA, OF17AA, OF18AA, OF94AA	TAC	THG	9-10-04		
3	REVISED OF94AA	YML	THG	2-3-03			3	REVISED OF94AA	YML	THG	2-3-03		
2	REVISED OF02AA & OF02CAA	YML	THG	10-1-02			2	REVISED OF02AA & OF02CAA	YML	THG	10-1-02		
1	REVISED OF94AA, OF02CAA, OF0DAA, OF18AA	CKJ	THG	1-99			1	REVISED OF94AA, OF02CAA, OF0DAA, OF18AA	CKJ	THG	1-99		

DRAWING SUBMITTAL STATUS	SCALE: NONE	DATE
[X] FOR CONSTRUCTION	DRAWN BY: THG	12-1-97
[ ] FOR APPROVAL	CHK'D BY: BLJ	
[ ] FOR PERMIT ONLY	DSGN APP BY:	
[ ] FOR PRELIMINARY	CAD BY:	
RELEASE NO. MR.2009.01		

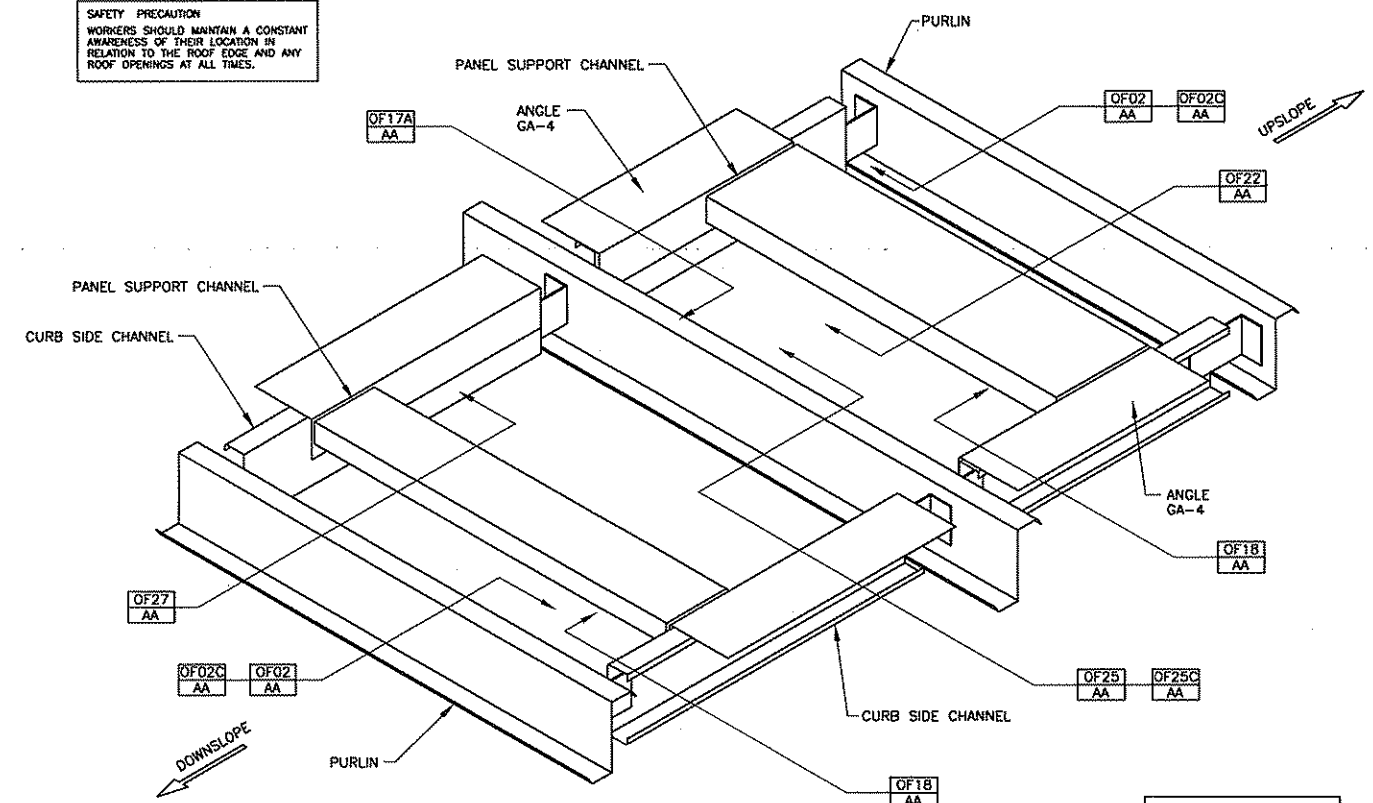
ROOF CURB FRAMING DETAILS

**EUFAULA ALABAMA**

**AMERICAN BUILDINGS COMPANY**

DRAWING NUMBER: RFO-1.0 REV. NO. 10

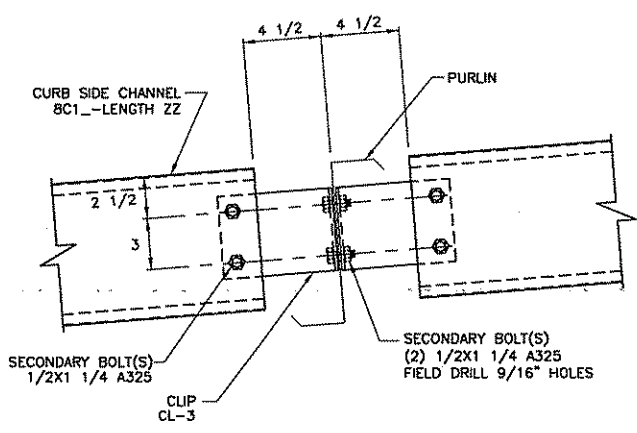
**SAFETY PRECAUTION**  
 WORKERS SHOULD MAINTAIN A CONSTANT AWARENESS OF THEIR LOCATION IN RELATION TO THE ROOF EDGE AND ANY ROOF OPENINGS AT ALL TIMES.



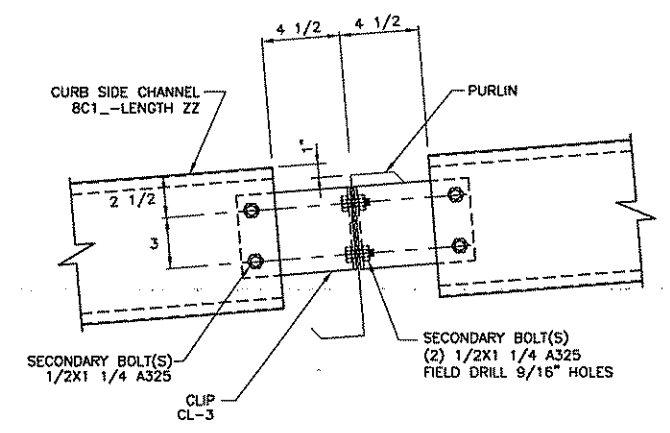
**NOTE:**  
 ROOF PURLINS ARE NOT DESIGNED TO BE CUT AND MUST REMAIN CONTINUOUS BELOW THE RTU AS SHOWN.

**ROOF CURB FRAMING KEY AT UNCUT PURLIN** OFODA AA

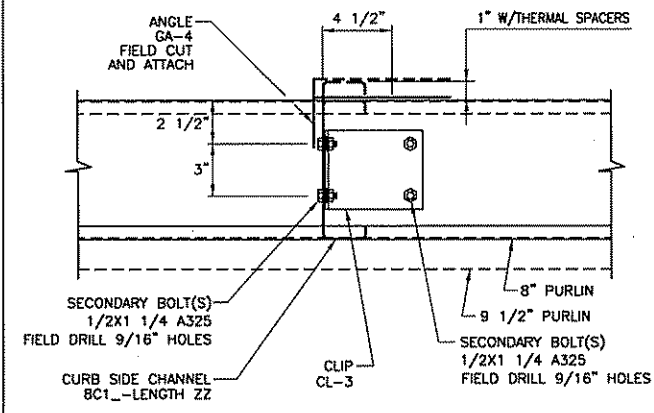
**SAFETY PRECAUTION**  
 DO NOT WALK OR STAND ON CURB FRAMING UNTIL PANELS ARE SECURED PROPERLY.



**SECTION THROUGH PURLIN AT CURB SIDE CHANNEL CONNECTION (UNCUT PURLINS) WITHOUT THERMAL SPACERS** OF25 AA



**SECTION THROUGH PURLIN AT CURB SIDE CHANNEL CONNECTION (UNCUT PURLINS) WITH THERMAL SPACERS** OF25C AA



**SECTION THROUGH CURB SIDE CHANNEL UNCUT PURLINS** OF17A AA

**ROOF CURB FRAMING REQUIREMENTS (UNCUT PURLINS)**

2 PURLIN SPACES	
QUANTITY	MARK. NO.
1	GA-4 (FIELD CUT TO LENGTH)
4	8C12-4.3
1	DH12C3-LENGTH
1	DH80C6-LENGTH
10	CL-3
2	CL-10
8	CRC-1
32	1/2X1 1/4 A325 BOLT
8	1/2X1 1/4 BUTTON HEAD BOLT

**ROOF CURB FRAMING SCHEDULE FOR ROOF CURBS WITH UNCUT PURLIN (5'-0" PURLIN SPACING)** OF94A AA

NO.	REVISIONS	MADE	CK'D	DATE	ENGR	DATE	NO.	REVISIONS	MADE	CK'D	DATE	ENGR	DATE	DRAWING SUBMITTAL STATUS	SCALE:	NONE	DATE	EUFULA ALABAMA
														(*) FOR CONSTRUCTION			X-X-09	<b>ROOF CURB FRAMING DETAILS AT UNCUT PURLINS</b> AMERICAN BUILDINGS COMPANY DRAWING NUMBER: RFO-2.0 REV. NO. 0
														[ ] FOR APPROVAL				
														[ ] FOR PERMIT ONLY				
														[ ] FOR PRELIMINARY				
														RELEASE NO. MR.2009.01	CAD BY:			