

HGUQ hangers are designed for connections to multi-ply girder trusses. Installation using Simpson's SDS wood screws will provide an improved distribution of load between all plies of the supporting girder truss. Using SDS screws results in a faster and easier installation compared to nails.

MATERIAL: 12 gauge.

FINISH: Galvanized

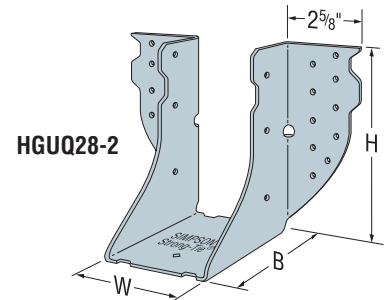
INSTALLATION: • Use all specified fasteners. See General Notes.

- SDS screws supplied.
- Not designed for welded or nailer applications.
- **For solid sawn lumber.**

OPTIONS: These hangers cannot be modified.

CODES: See page 10 for Code Listing Key Chart.

See page 104 for an example of product installation on a truss.



Model No.	Ga	Dimensions			Quantity Fasteners SDS		Down Avg Ult	Doug Fir-Larch/Southern Pine Allowable Loads					Spruce-Pine-Fir Allowable Loads					Code Ref.	
		W	H	B	Carrying Member	Carried Member		Uplift ¹ (133)	Uplift ¹ (160)	Floor (100)	Snow (115)	Roof (125)	Wind (133)	Uplift ¹ (133)	Uplift ¹ (160)	Floor (100)	Snow (115)		Roof (125)
DOUBLE 2x SIZES																			
HGUQ26-2-SDS3	12	3 ⁷ / ₁₆	5	4	(12) 1/4x3	(4) 1/4x3	17415	1635	1635	3695	4250	4620	4930	1415	1635	3180	3655	3975	4240
HGUQ28-2-SDS3	12	3 ⁷ / ₁₆	7	4	(20) 1/4x3	(6) 1/4x3	23675	2465	2565	6160	7085	7330	7330	2120	2545	5300	6095	6625	6625
HGUQ210-2-SDS3	12	3 ⁷ / ₁₆	9	4	(28) 1/4x3	(8) 1/4x3	22775	3285	3440	7415	7415	7415	7415	2825	3390	7220	7415	7415	7415
TRIPLE 2x SIZES																			
HGUQ26-3-SDS4.5	12	5 ¹ / ₈	5 ¹ / ₈	4	(12) 1/4x4 1/2	(4) 1/4x4 1/2	17415	1635	1635	3695	4250	4620	4930	1415	1635	3180	3655	3975	4240
HGUQ28-3-SDS4.5	12	5 ¹ / ₈	7 ¹ / ₈	4	(20) 1/4x4 1/2	(6) 1/4x4 1/2	30085	2465	2565	6160	7085	7700	8215	2120	2545	5300	6095	6625	7065
HGUQ210-3-SDS4.5	12	5 ¹ / ₈	9 ¹ / ₈	4	(28) 1/4x4 1/2	(8) 1/4x4 1/2	31480	3285	3440	8625	9745	9745	9745	2825	3390	7420	8535	9275	9275
QUADRUPLE 2x SIZES																			
HGUQ26-4-SDS6	12	6 ¹ / ₁₆	5 ⁵ / ₁₆	4	(12) 1/4x6	(4) 1/4x6	16880	1645	1970	3695	4250	4620	4930	1415	1695	3180	3655	3975	4240
HGUQ28-4-SDS6	12	6 ¹ / ₁₆	7 ⁵ / ₁₆	4	(20) 1/4x6	(6) 1/4x6	28230	2465	2955	6160	7085	7700	8215	2120	2545	5300	6095	6625	7065
HGUQ210-4-SDS6	12	6 ¹ / ₁₆	9 ⁵ / ₁₆	4	(28) 1/4x6	(8) 1/4x6	31110	3285	3940	8625	9920	10260	10260	2825	3390	7420	8535	9275	9275
4x SIZES																			
HGUQ46-SDS3	12	3 ⁵ / ₈	4 ⁷ / ₈	4	(12) 1/4x3	(4) 1/4x3	17415	1635	1635	3695	4250	4620	4930	1415	1635	3180	3655	3975	4240
HGUQ48-SDS3	12	3 ⁵ / ₈	6 ⁷ / ₈	4	(20) 1/4x3	(6) 1/4x3	23675	2465	2565	6160	7085	7330	7330	2120	2545	5300	6095	6625	6625
HGUQ410-SDS3	12	3 ⁵ / ₈	8 ⁷ / ₈	4	(28) 1/4x3	(8) 1/4x3	22775	3285	3440	7415	7415	7415	7415	2825	3390	7415	7415	7415	7415

1. Uplift loads have been increased 33% and 60% for earthquake or wind loading with no further increase allowed. Divide by 1.33 and 1.60 for normal loading as in cantilever construction.
 2. Wind (133) is a download rating.