

The HM9 is designed to retrofit roof truss/rafters for block construction. The HM9 hurricane tie provides high uplift and lateral capacity using Simpson concrete fasteners.

The presloped 5:12 seat of the H16 provides for a tight fit and reduced deflection. The strap length provides for various truss height up to a maximum of 13½". Minimum heel height for H16 series is 4".

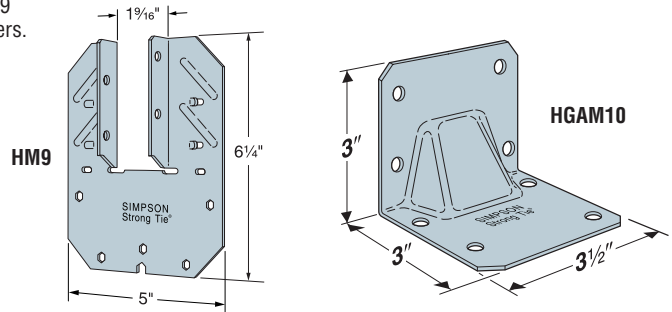
MATERIAL: See table

FINISH: Galvanized; other models available in stainless steel or Z-MAX; see Corrosion-Resistance, page 5.

INSTALLATION: • Use all specified fasteners. See General Notes.

- HGAM10 can be installed into grouted concrete block. Screws are provided.
- Hurricane Ties do not replace solid blocking.
- Attach to grouted concrete block.

CODES: See page 10 for Code Listing Key Chart.



| Model No. | Ga | W | L | Fasteners | | | Uplift Avg UIt | Doug-Fir Larch/So. Pine Allowable Loads ^{1,2} | | | | Spruce-Pine-Fir Allowable Loads ^{1,2} | | | | Code Ref |
|--------------------------|----|--------|---------|------------------|--------------------|--------------------------|----------------|--|-------|-------------------|----------------|--|-------|-------------------|----------------|----------|
| | | | | To Rafters/Truss | To CMU | To Concrete ⁴ | | Uplift ⁴ | | Lateral (133/160) | | Uplift ⁴ | | Lateral (133/160) | | |
| | | | | | | | | (133) | (160) | F ₁ | F ₂ | (133) | (160) | F ₁ | F ₂ | |
| HM9KT ³ | 18 | 1 1/16 | 6 1/4 | 4-SDS 1/4x1 1/2 | 5-1/4 x2 1/4 Titen | 5-1/4x1 1/4 Titen | 1987 | 595 | 595 | 425 | 200 | 595 | 595 | 425 | 200 | 160 |
| HGAM10KTA ^{3,4} | 14 | — | — | 4-SDS 1/4x1 1/2 | 4-1/4 x2 3/4 Titen | 4-1/4x1 1/4 Titen | 2625 | 850 | 850 | 1005 | 1105 | 850 | 850 | 870 | 815 | |
| H16 | 18 | 1 5/8 | 18 3/4 | 2-10dx1 1/2 | 6-1/4 x2 1/4 Titen | 6-1/4x1 1/4 Titen | 4582 | 1470 | 1470 | — | — | 1265 | 1265 | — | — | 160 |
| H16S | 18 | 1 5/8 | 11 1/16 | 2-10dx1 1/2 | 6-1/4 x2 1/4 Titen | 6-1/4x1 1/4 Titen | 4582 | 1470 | 1470 | — | — | 1265 | 1265 | — | — | |
| H16-2 | 18 | 3 1/4 | 18 3/4 | 2-10dx1 1/2 | 6-1/4 x2 1/4 Titen | 6-1/4x1 1/4 Titen | 4582 | 1470 | 1470 | — | — | 1265 | 1265 | — | — | |
| H16-2S | 18 | 3 1/4 | 11 1/16 | 2-10dx1 1/2 | 6-1/4 x2 1/4 Titen | 6-1/4x1 1/4 Titen | 4582 | 1470 | 1470 | — | — | 1265 | 1265 | — | — | |

1. Loads have been increased 33% and 60% for earthquake or wind loading with no further increase allowed; reduce where other loads govern.

2. Allowable loads are for one anchor. A minimum rafter thickness of 2 1/2" must be used when framing anchors are installed on each side of the joist and on the same side of the plate.

3. The HM9KT and HGAM10KTA are sold with SDS and Titen screws.

4. Uplift loads for HGAM10KTA refer to CMU application only. Contact Simpson for uplift loads when attached to concrete.

