



This product is preferable to similar connectors because of a) easier installation, b) higher loads, c) lower installed cost, or a combination of these features.

See Hanger tables on pages 58 to 64. See Hanger Options on pages 158 to 162 for hanger modifications, which may result in reduced loads.

These hangers have the highest loads of any face mount hangers!

All hangers in this series have double shear nailing. This patented innovation distributes the load through two points on each joist nail for greater strength. It also allows the use of fewer nails, faster installation, and the use of standard nails for all connections. (Do not bend or remove tabs)

MATERIAL: See tables, pages 58 to 64.

FINISH: Galvanized. Some products available in stainless steel or Z-MAX; see Corrosion-Resistance, page 5. Stainless steel (SS) hangers are available with SS nails—order LUS210SSN.

INSTALLATION • Use all specified fasteners. See General Notes.

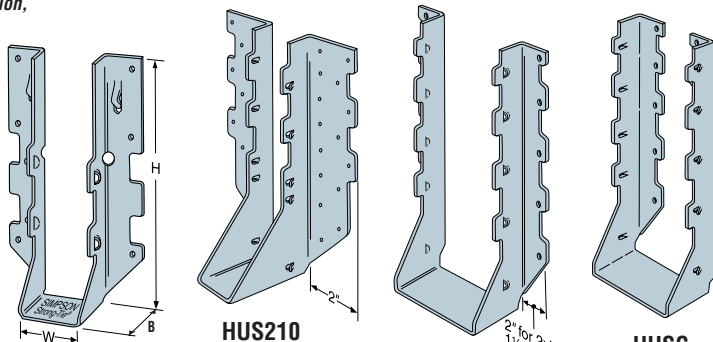
- Nails must be driven at an angle through the joist or truss into the header to achieve the table loads.
- Not designed for welded or nailer applications.
- 16d sinkers (9 gauge x 3¼") may be used where 10d commons are specified with no reduction in load. Where 16d commons are specified, 10d commons or 16d sinkers (9 gauge x 3¼") may be used at 0.84 of the table load.
- With 3x carrying members, use 16d x 2½" nails into the header and 16d commons into the joist with no load reduction. With 2x carrying members, use 10d x 1½" nails into the header and 10d commons into the joist, reduce the load to 0.64 of the table value.
- Use stainless steel (SS) nails with SS hangers.

OPTIONS: • LUS hangers cannot be modified.

- HUS hangers available with the header flanges turned in for 2-2x (3½") and 4x only, with no load reduction. See the HUSC Concealed Flange illustration.

- See Hanger Options, page 164.

Typical LUS28 Installation
 use .148x3" (10d common)
 or .148x3¼" (16d sinker) nail

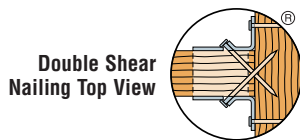


LUS28

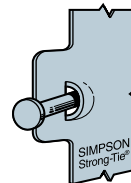
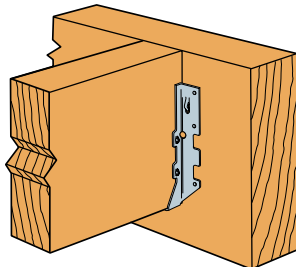
HUS210
(HUS26, HUS28,
and HHUS similar)

HUS412

HUSC
Concealed
Flanges
(not available for
HHUS, HGUS
and HUS2x)

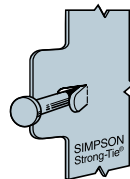


Double Shear
Nailing Top View



Dome Double Shear
Nailing prevents tabs
breaking off (available
on some models)

U.S. Patent 5,603,580



Double Shear
Nailing Side View