

HGUQ hangers are designed for connections to multi-ply girder trusses. Installation using Simpson's SDS wood screws will provide an improved distribution of load between all plies of the supporting girder truss. Using SDS screws results in a faster and easier installation compared to nails.

MATERIAL: 12 gauge.

FINISH: Galvanized

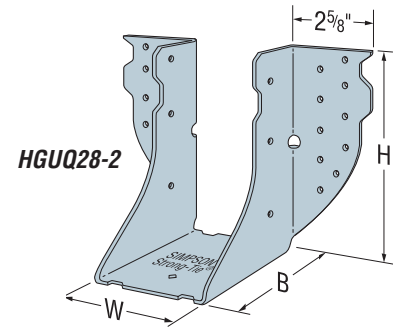
INSTALLATION: • Use all specified fasteners. See General Notes.

- SDS screws supplied.
- Not designed for welded or nailer applications.
- For solid sawn lumber (header and joist).

OPTIONS: These hangers cannot be modified.

CODES: See page 10 for Code Listing Key Chart.

See page 108 for an example of product installation on a truss.



Model No.	Ga	Dimensions			Quantity Fasteners SDS		Down Avg UIt	Doug Fir-Larch/Southern Pine Allowable Loads						Spruce-Pine-Fir Allowable Loads				Code Ref.		
		W	H	B	Carrying Member	Carried Member		Uplift ¹ (133)	Uplift ¹ (160)	Floor (100)	Snow (115)	Roof (125)	Wind (133)	Uplift ¹ (133)	Uplift ¹ (160)	Floor (100)	Snow (115)		Roof (125)	Wind (133)
DOUBLE 2x SIZES																				
HGUQ26-2-SDS3	12	3 ⁷ / ₁₆	5	4	(12) 1/4x3	(4) 1/4x3	17415	1635	1635	3695	4250	4620	4930	1415	1635	3180	3655	3975	4240	129
HGUQ28-2-SDS3	12	3 ⁷ / ₁₆	7	4	(20) 1/4x3	(6) 1/4x3	23675	2465	2565	6160	7085	7330	7330	2120	2545	5300	6095	6625	6625	160
HGUQ210-2-SDS3	12	3 ⁷ / ₁₆	9	4	(28) 1/4x3	(8) 1/4x3	22775	3285	3440	7415	7415	7415	7415	2825	3390	7220	7415	7415	7415	160
TRIPLE 2x SIZES																				
HGUQ26-3-SDS4.5	12	5 ¹ / ₈	5 ¹ / ₈	4	(12) 1/4x4 ¹ / ₂	(4) 1/4x4 ¹ / ₂	17415	1635	1635	3695	4250	4620	4930	1415	1635	3180	3655	3975	4240	129
HGUQ28-3-SDS4.5	12	5 ¹ / ₈	7 ¹ / ₈	4	(20) 1/4x4 ¹ / ₂	(6) 1/4x4 ¹ / ₂	30085	2465	2565	6160	7085	7700	8215	2120	2545	5300	6095	6625	7065	160
HGUQ210-3-SDS4.5	12	5 ¹ / ₈	9 ¹ / ₈	4	(28) 1/4x4 ¹ / ₂	(8) 1/4x4 ¹ / ₂	31480	3285	3440	8625	9745	9745	9745	2825	3390	7420	8535	9275	9275	160
QUADRUPLE 2x SIZES																				
HGUQ26-4-SDS6	12	6 ¹ / ₁₆	5 ¹ / ₁₆	4	(12) 1/4x6	(4) 1/4x6	16880	1645	1970	3695	4250	4620	4930	1415	1695	3180	3655	3975	4240	160
HGUQ28-4-SDS6	12	6 ¹ / ₁₆	7 ¹ / ₁₆	4	(20) 1/4x6	(6) 1/4x6	28230	2465	2955	6160	7085	7700	8215	2120	2545	5300	6095	6625	7065	160
HGUQ210-4-SDS6	12	6 ¹ / ₁₆	9 ¹ / ₁₆	4	(28) 1/4x6	(8) 1/4x6	31110	3285	3940	8625	9920	10260	10260	2825	3390	7420	8535	9275	9275	160
4x SIZES																				
HGUQ46-SDS3	12	3 ³ / ₈	4 ⁷ / ₈	4	(12) 1/4x3	(4) 1/4x3	17415	1635	1635	3695	4250	4620	4930	1415	1635	3180	3655	3975	4240	160
HGUQ48-SDS3	12	3 ³ / ₈	6 ³ / ₈	4	(20) 1/4x3	(6) 1/4x3	23675	2465	2565	6160	7085	7330	7330	2120	2545	5300	6095	6625	6625	160
HGUQ410-SDS3	12	3 ³ / ₈	8 ³ / ₈	4	(28) 1/4x3	(8) 1/4x3	22775	3285	3440	7415	7415	7415	7415	2825	3390	7415	7415	7415	7415	160

1. Uplift loads have been increased 33% and 60% for earthquake or wind loading with no further increase allowed.

Divide by 1.33 and 1.60 for normal loading as in cantilever construction.

2. Wind (133) is a download rating.

3. Truss chord cross-grain tension may limit allowable loads. Refer to Technical Bulletins T-ANSITPISP, T-ANSITPISP and T-ANSITPIDF for allowable loads that consider ANSI/TPI 1-2002 wood member design criteria.