

MATERIAL: See table.

FINISH: Simpson gray paint; hot-dipped galvanized available: specify HDG.

ALLOWABLE LOADS: For hanger heights exceeding the joist height, the allowable load is 0.50 of the table load.

INSTALLATION: • Use all specified fasteners.

- Hangers may be welded to steel headers with 1/8" for WPT, and 3/16" for WNPPT, by 1 1/2" fillet welds located at each end of the top flange. Weld-on applications produce maximum allowable load listed. Uplift loads do not apply to this application.
- Hangers can support multi-ply carried members; the individual members must be secured together to work as a single unit before installation into the hanger.
- H dimensions are sized to account for normal joist shrinkage. W dimensions are for dressed timber widths.

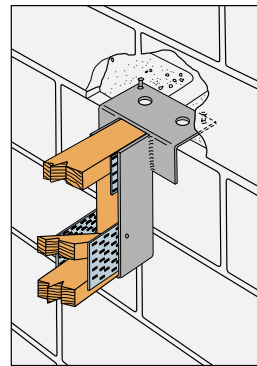
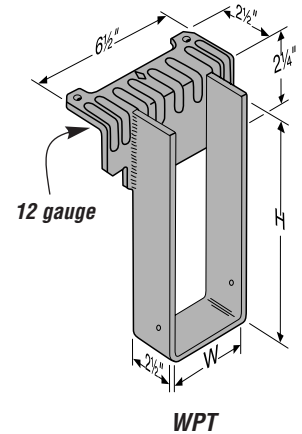
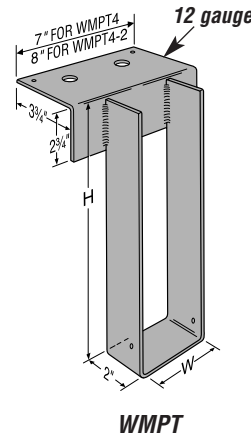
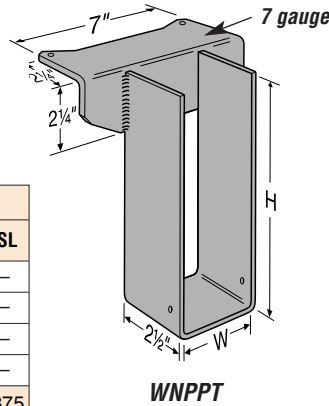
OPTIONS: See Hanger Options, page 164.

CODES: See page 10 for Code Listing Key Chart.

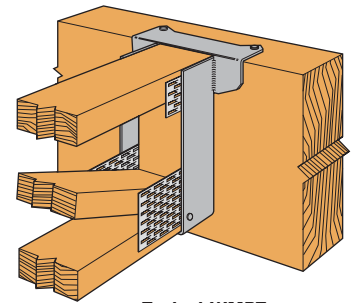
NAILER TABLE

The table indicates the maximum allowable loads for WPT and WNPPT hangers used on wood nailers. Nailers are wood members attached to the top of a steel I-beam, concrete or masonry wall. This table also applies to sloped-seat hangers.

Model	Nailer	Top Flange Nailing	Allowable Loads		
			DF/SP	SPF	LSL
WPT	2x	2-10dx1 1/2	1600	1600	—
	3x	2-16dx2 1/2	1765	1740	—
	2-2x	2-10d	1665	1665	—
	4x	2-10d	2200	2200	—
WNPPT	2x	2-10dx1 1/2	2525	2500	3375
	3x	2-16dx2 1/2	3000	2510	3375
	2-2x	2-10d	3255	3255	—
	4x	2-10d	3255	3255	—



Typical WMPT Installation



Typical WPT Truss Installation

W SERIES WITH VARIOUS HEADERS

Model	Joist		Fasteners			Allowable Loads Header Type								Code Ref.
	Width	Depth	Top	Face	Joist	Uplift (133/160)	LVL	PSL	LSL	DF/SP	SPF	I-Joist	Masonry	
WPT	1 1/2 to 4	3 1/2 to 30	2-10dx1 1/2	—	2-10dx1 1/2	—	1635	1740	—	1600	1415	—	—	170
	1 1/2 to 4	3 1/2 to 30	2-10d	—	2-10dx1 1/2	—	2150	2020	—	2200	1435	—	—	26, 83
	1 1/2 to 4	3 1/2 to 30	2-16d	—	2-10dx1 1/2	—	2335	1950	2335	1765	1435	—	—	26, 83
WMPT	1 1/2 to 7 1/2	3 1/2 to 30	2-16d DPLX	—	2-10dx1 1/2	—	—	—	—	—	—	—	4175	1, 84
WNPPT	1 1/2 to 7 1/2	3 1/2 to 30	2-10dx1 1/2	—	2-10dx1 1/2	—	2865	3250	—	2500	2000	2030	—	170
	1 1/2 to 7 1/2	3 1/2 to 30	2-10d	—	2-10dx1 1/2	—	2525	3250	3650	3255	2600	—	—	26, 83
	1 1/2 to 7 1/2	3 1/2 to 30	2-16d	—	2-10dx1 1/2	—	3635	3320	3650	3255	2600	—	—	26, 83

1. 16d sinkers (9 ga x 3") may be used where 10d commons are called out with no load reduction.

2. Uplift loads have been increased 33% and 60% for wind or earthquake loading; no further increase allowed. Divide by 1.33 and 1.60 for normal loading like cantilever construction.

3. WMPT hangers are limited based on joist bearing capacity for the specific wood species, up to the maximum test value of 4175 lbs. All headers are grouted masonry block.

Model No.	Ga	Dimensions				Fasteners		Down Avg Ult	Doug-Fir-Larch/Southern Pine Allowable Loads				Spruce-Pine-Fir Allowable Loads			
		W	Min. ³ H	B	TF	Carrying Member	Carried Member		Floor (100)	Snow (115)	Roof (125)	Wind (133)	Floor (100)	Snow (115)	Roof (125)	Wind (133)
WPT2	12	1 5/8	3 7/16	2 1/2	2 1/2	2-10d	2-10dx1 1/2	7883	2200	2200	2200	2200	1435	1435	1435	1435
WMPT2	12	1 5/8	3 7/16	2	3 3/4	2-16d DPLX	2-10dx1 1/2	15650	1890	1920	1940	1955	1445	1470	1485	1500
WNPPT2-2	12	3 5/16	3 7/16	2 1/2	2 3/16	2-10d	2-10d	10560	3255	3255	3255	3255	2600	2600	2600	2600
WMPT2-2	12	3 5/16	3 7/16	2	3 3/4	2-16d DPLX	2-10d	15650	3635	3675	3700	3720	2765	2795	2820	2835
WNPPT4	12	3 5/8	3 7/16	2 1/2	2 3/16	2-10d	2-10d	10560	3255	3255	3255	3255	2600	2600	2600	2600
WMPT4	12	3 5/8	3 7/16	2	3 3/4	2-16d DPLX	2-10d	15650	4175	4175	4175	4175	3190	3220	3240	3260
WNPPT4-2	12	7 1/4	3 7/16	2 1/2	2 3/16	2-10d	2-10d	10560	3255	3255	3255	3255	2600	2600	2600	2600
WMPT4-2	12	7 1/4	3 7/16	2	3 3/4	2-16d DPLX	2-10d	15650	4175	4175	4175	4175	4175	4175	4175	4175

1. WMPT hangers are limited based on joist bearing capacity for the specific wood species, up to the maximum test value of 4175 lbs. All headers are grouted masonry block.

2. Wind (133) is a download rating.

3. Specify H dimension. Min H is the minimum H dimension that may be ordered.